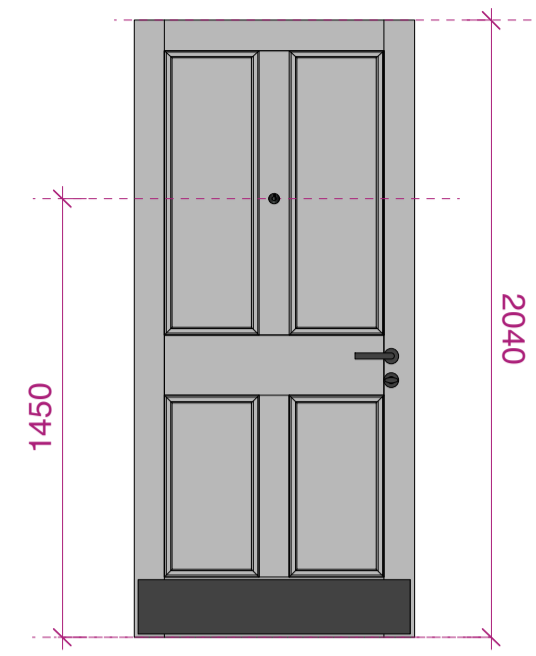


TYPE 7



-ACCESSIBLE TOILET CUBICLE DOOR

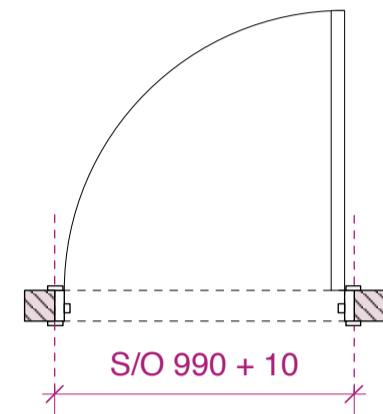
3D12, 4D12, 5D12
926mm (W) x 2040 (H) x 44mm (D)

Strebord Chipboard Core 44mm.
Lipped 4 edges 8mm Sapele.
Paper Veneered & Painted Dulux Trade Satinwood **50GY 53/017**.
6 engineered panels with applied Maple belection beads inserted into channels.
Undercut door 10mm for ventilation.

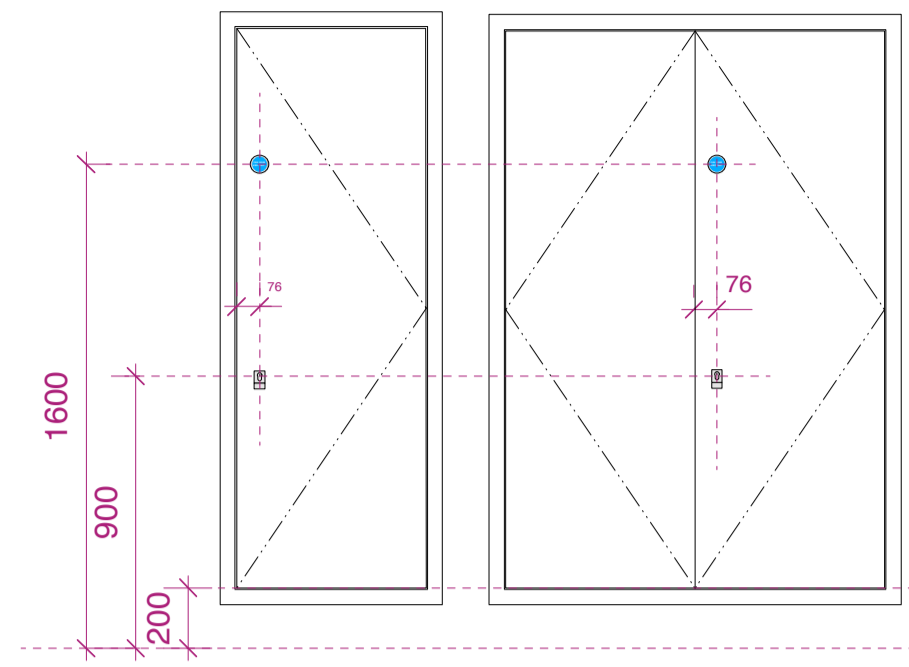
by iSee Access Solutions (Tel: 01932 226 855)

Door lever handle, bathroom lock, thumbturn indicator, concealed door closer, coat hooks, kickplate and skirting door stop. For door hardware see separate schedule by Strada (Tel: 0808 178 6007) Finish in Dark Matt Bronze.

Door handing see relevant floor plans.



TYPE 8



-RISER CUPBOARD DOUBLE DOOR:

GD-02, MD-02, 3D-13, 3D-14, 3D-16, 4D-13, 4D-14, 4D-16, 5D-13, 5D-14, 5D-16
2 x 626mm (W) x 1850 (H) x 44mm (D)

FD60
Solid timber, intumescent strip smoke control with hardwood flush bead and smoke seal.
Doors and frame painted in Dulux Trade Diamond Matt, Colour White RAL 9016

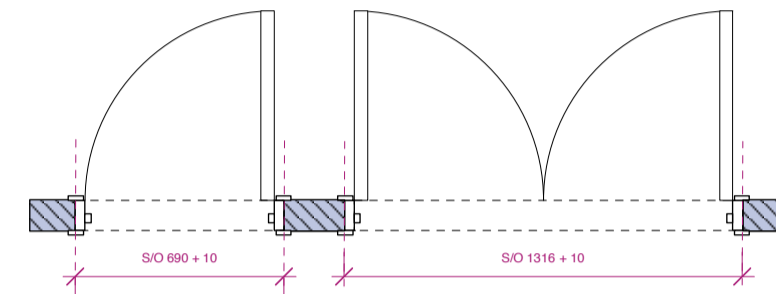
HARDWARE:
All as supplied by SDS 020 7228 1185 unless otherwise stated
-6no. Grade 316 Stainless Steel Ball Bearing Hinge 102 x 76 mm, Satin Stainless Steel Ref: 70158
-1no. Euro Profile 6 pin Single Cylinder 55 mm Satin Chrome Plate Ref: 77508
-1no. Euro Profile Cylinder Pull Satin Stainless Steel Ref: 99152
-1no. 'Fire Door Keep Shut' mandatory sign in Satin Stainless Steel (External lobby side).Ref: 52360
-SDS Mortice Deadlock Euro Profile 76mm Satin Stainless Steel Ref: 78424

-RISER CUPBOARD SINGLE DOOR:

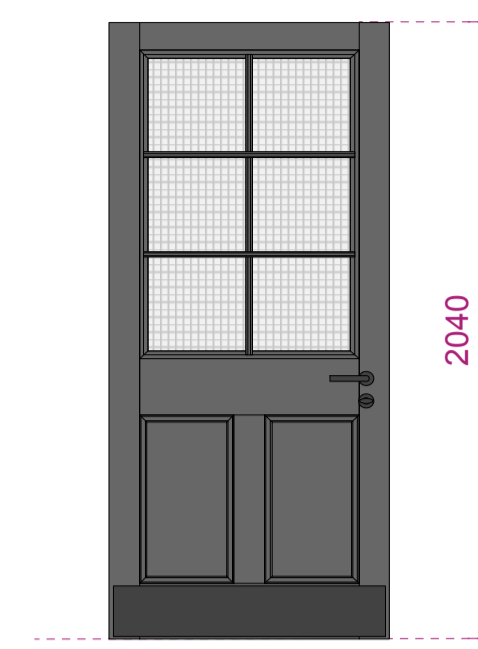
MD-01
1 x 626mm (W) x 1850 (H) x 44mm (D)

FD60
Solid timber, intumescent strip smoke control with hardwood flush bead and smoke seal.
Doors and frame painted in Dulux Trade Diamond Matt, Colour White RAL 9016

HARDWARE:
All as supplied by SDS 020 7228 1185 unless otherwise stated
-3no. Grade 316 Stainless Steel Ball Bearing Hinge 102x 76 mm Satin Stainless Steel Ref: 70158
-1no. Euro Profile 6 pin Single Cylinder 55 mm Satin Chrome Plate Ref: 77508
-1no. Euro Profile Cylinder Pull Satin Stainless Steel Ref: 99152
-1no. 'Fire Door Keep Shut' mandatory sign in Satin Stainless Steel (External lobby side).Ref: 52360
-SDS Mortice Deadlock Euro Profile 76mm Satin Stainless Steel Ref: 78424



TYPE 9



-RECEPTION ROOM

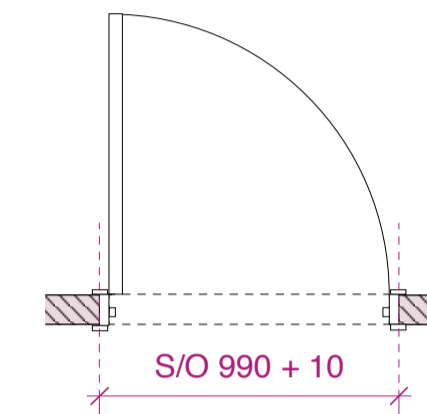
GD-01
926mm (W) x 2040 (H) x 44mm (D)

FD30
Strebord Chipboard Core 44mm.
Lipped 4 edges 8mm Sapele.
Paper Veneered & Painted Dulux Trade Satinwood **50GY 07/036**.
6 panels glazed 6mm Georgian Wired glass.
Sapele belection glazing beads.
Intumescent seals to door edges.

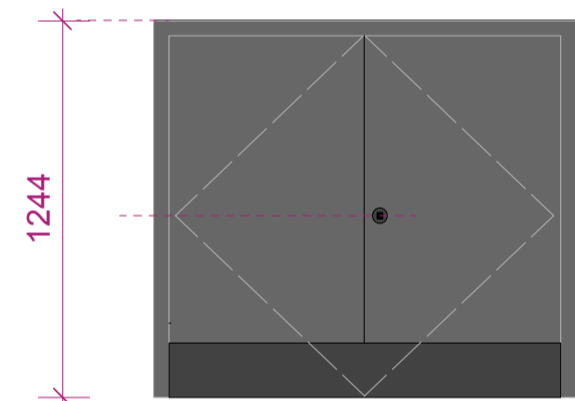
1 pane glazing with beading applied to the face to give appearance of 6 individual panes (VE cost option).

by iSee Access Solutions (Tel: 01932 226 855)

Door lever handle, concealed door closer, kickplate and skirting door stop. For door hardware see separate schedule by Strada (Tel: 0808 178 6007) Finish in Dark Matt Bronze.



TYPE 10



-STORE DOUBLE DOOR WITH LOW HEADROOM

GD-03
2x626mm (W) x 1190 (H) x 44mm (D)

-STORE SINGLE DOOR WITH LOW HEADROOM

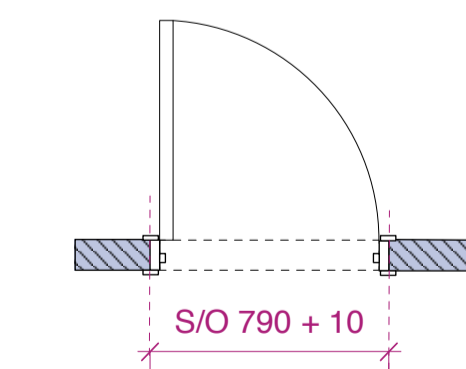
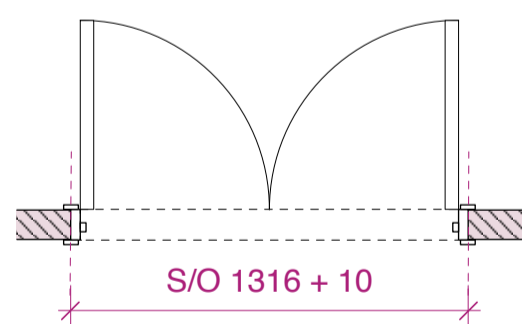
GD-05
726mm (W) x 1190 (H) x 44mm (D)

FD30 / FD60
Strebord Chipboard Core 44mm.
Lipped 4 edges 8mm Sapele.
Door frame thickness to suit wall construction.

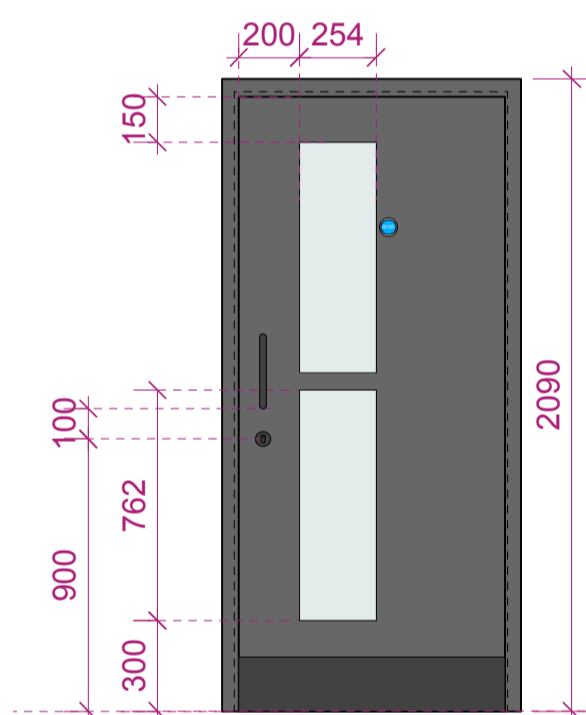
Paper Veneered & Painted Dulux Trade Satinwood **50GY 07/036**.

HARDWARE:
Captive key rim budget lock, Lock Ref: 911.61.093, Strike plate Ref: 230.16.940, Captive tee key: 911.61.094. By Hafele 0800 171 2909
Finish in Dark Matt Bronze by Strada.
Kickplate. For door hardware see separate schedule by Strada (Tel: 0808 178 6007) Finish in Dark Matt Bronze.

Door handing see relevant floor plans.



TYPE 11



-MAIN ACCESS TO CYCLE STORE

GD-10
904mm (W) x 2047 (H) x 45mm (D)

FD60
45mm thick steel Door leaf with flush lipped astragal constructed from:
2 x 1.2mm thick 'Rustec' sheets, which are Dutch folded and internally bonded together.
42mm thick 'Hexatex' core. Manufactured from 1.6 mm thick 'Rustec' steel.
Powder coated RAL 7016 Matt.
No.2 Double Glazed units Vision Panels.
by Steeldor (Tel: 01524 727000)
1no. 'Fire Door Keep Shut' mandatory sign in Satin SS.

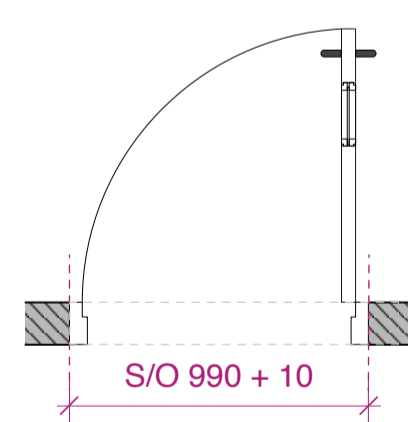
Pull Handles:
2 No. Serozzetta Compliant Pull Handles Ref: PH500BSC. Dims: 247x22mm, to be install both side door, by Carlisle Brass, finish Dark Matt Bronze (Lacquered) as supplied by Strada +44 (0)808 178 6007.

Locker:
Briton 5520 Euro Profile Cylinder Sashlock, finish Dark Matt Bronze (Lacquered) as supplied by Strada +44 (0)808 178 6007.

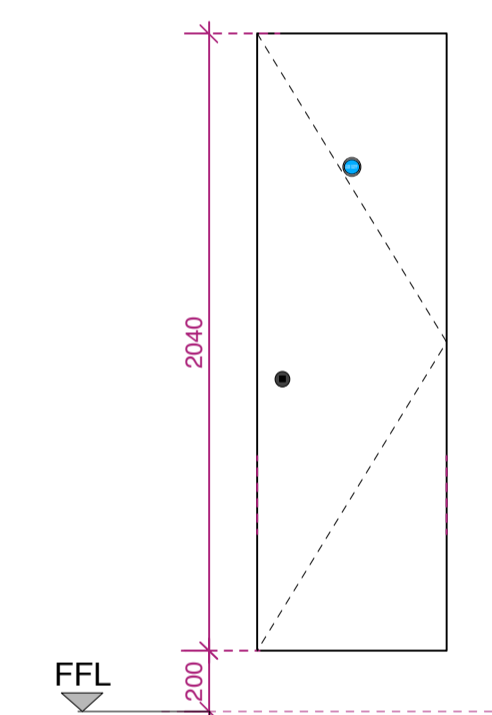
Door hinges:
by Steeldor (Tel: 01524 727000)
Threshold:
Satin aluminium angle Ref: A6.5 H6.5mm, to be applied between new chequered plate floor landing and existing block work wall. As supplied by C.A.T. Limited 01582561200.

Concealed door closer, kickplate and skirting door stop. For door hardware see separate schedule by Strada (Tel: 0808 178 6007) Dark Matt Bronze (Lacquered)

Door to be secured by maglock connected to BMS system.



TYPE 12



-FIRE ALARM SERVICE CUPBOARD

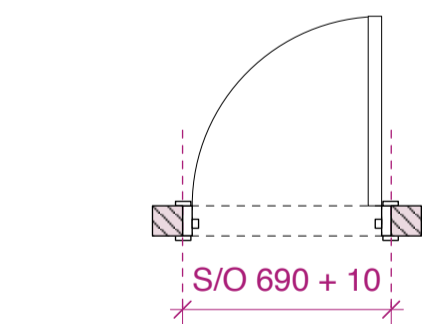
GD-12
626mm (W) x 2040 (H) x 44mm (D)

FD30
Flush wall door.
Strebord Chipboard Core 44mm.
Lipped 4 edges 8mm Sapele.

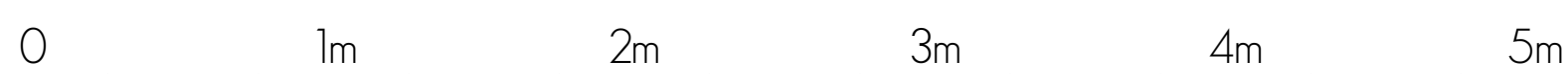
Doors painted in Dulux Trade Satin Wood, Colour White RAL 9016
1no. 'Keep Locked Shut' mandatory sign in Satin SS.

HARDWARE:
Captive key rim budget lock, Lock Ref: 911.61.093, Strike plate Ref: 230.16.940, Captive tee key: 911.61.094. By Hafele 0800 171 2909
Finish in Dark Matt Bronze by Strada.
For door hardware see separate schedule by Strada (Tel: 0808 178 6007) Finish in Dark Matt Bronze.

Door handing see relevant floor plans.



DOOR SCHEDULE AND JOINREY DETAILS PAGE 2



PLANNING

rev.		date	notes	PROJECT SEVEN DIALS WAREHOUSE LONDON WC2				DRAWING TITLE DOOR SCHEDULE & JOINREY DETAILS PAGE 2	
The drawing is the copyright of gpad london ltd . Not to be reproduced, retained or disclosed to any unauthorised person either wholly or in part without written permission. Do not scale the drawing. All indicated dimensions to be checked and verified on site by the contractor before commencement of any fabrication drawings or work whatsoever on site. Report any discrepancies to the Architect immediately. Drawings to be read in conjunction with relevant drawings and specification.				CLIENT PEC NEALE LTD					
SCALE 1:25 @ A1		DATE Oct 16	DWG BY LM	REV.		T: 020 7549 2133		Unit 1	
CHKD.		DWG NO. 527-AS.24		F: 020 7549 2144		9a Dallington Street			
				E: info@gpادلondonltd.com		Clerkenwell			
				W: www.gpadlondonltd.com		London EC1V 0BQ			
				© gpادلondon ltd.					