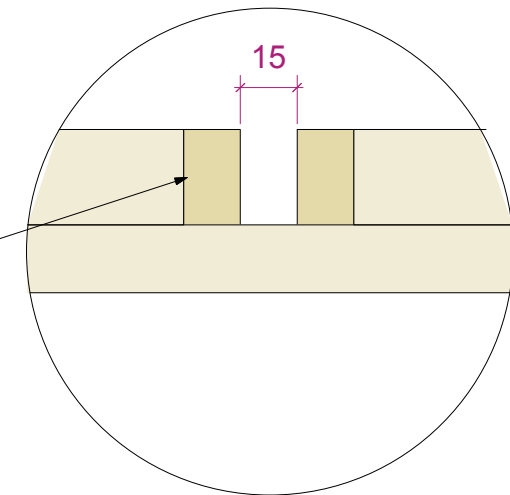
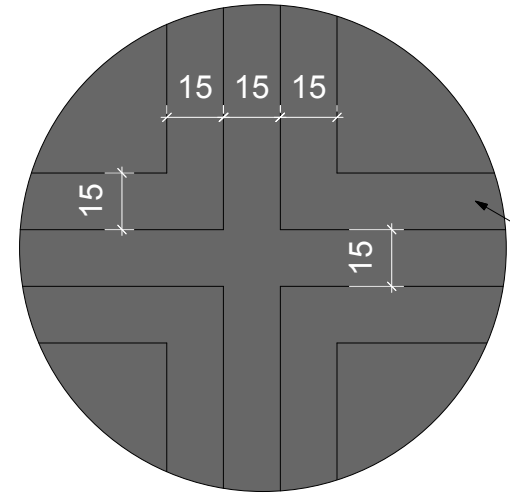


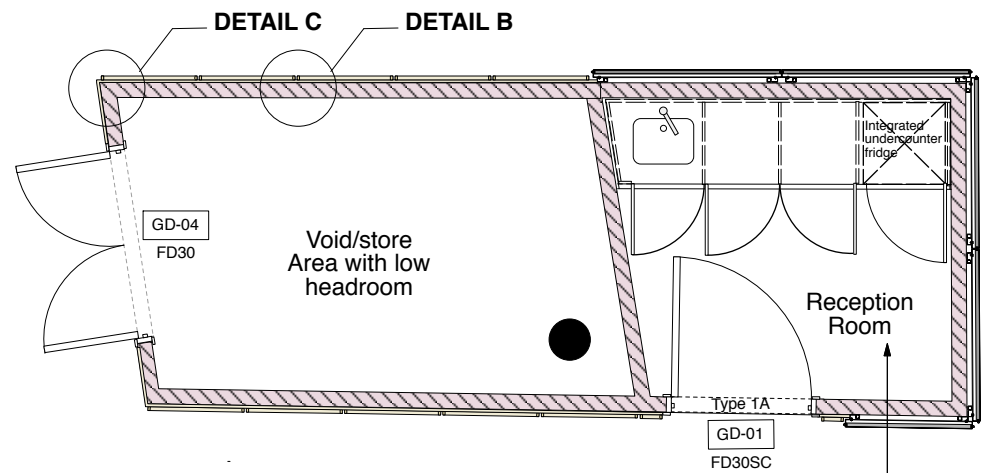
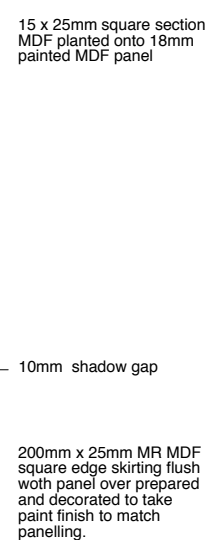
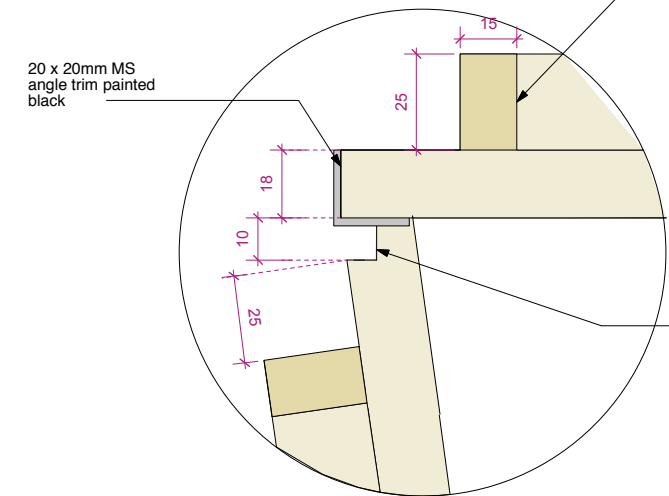
DETAIL A
(Scale 1:2)

DETAIL B
(Scale 1:2)



DETAIL C
(Scale 1:2)

DETAIL D
(Scale 1:2)



RECEPTION ROOM
Supply and fit 25mm laminate faced kitchen worktop with 50mm wipe rail, recessed SS sink unit on laminate faced carcassing under and 18mm laminate faced doors with aluminium D handles and blum hinges or similar suitable approved. Supply also 1no laminate faced shelf to each cupboard on adjustable clips.

Lamona Easton Undermount Single Bowl Sink
Ref: SNK4931

Lamona Chrome Garda Swan Neck Monobloc Tap
Ref: TAP3521

Walls throughout prepare as necessary and decorate in Dulux Trade Diamond white.

125x15mm softwood skirting board with square edge nose to all walls. Rub down, prepare, prime and decorate in Dulux Trade Satinwood, Colour: Pure White (RAL 9010)

RECEPTION DETAILS PAGE 1



All finishes and surface materials to be applied and or laid in accordance with the manufacturer's specifications and appropriate BS standards.

PLANNING

rev.	date	notes

This drawing is the copyright of gpad london ltd. Not to be reproduced, retained or disclosed to any unauthorised person either wholly or in part without written permission.
Do not scale of this drawing. All indicated dimensions to be checked and verified on site by the contractor before commencement of any fabrication drawings or work whatsoever on site. Report any discrepancies to the architect immediately. Drawings to be read in conjunction with relevant drawings and specification.

© gpad London Ltd.

PROJECT	SEVEN DIALS WAREHOUSE LONDON WC2		
CLIENT	PEC NEALE LTD		
SCALE	1:25@A1	1:50@A3	DATE July 2016
CHCKD.	DS	DWG NO.	527-AS.10
DWG BY	PG	REV.	

DRAWING TITLE
RECEPTION DETAILS PAGE 1

gpad architecture & interior design

T: 020 7549 2133
F: 020 7549 2144
E: info@gpadlondonltd.com
W: www.gpadlondonltd.com

Unit 1
9a Dullington Street
Clerkenwell
London EC1V 0BQ