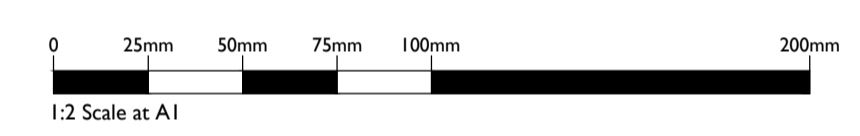
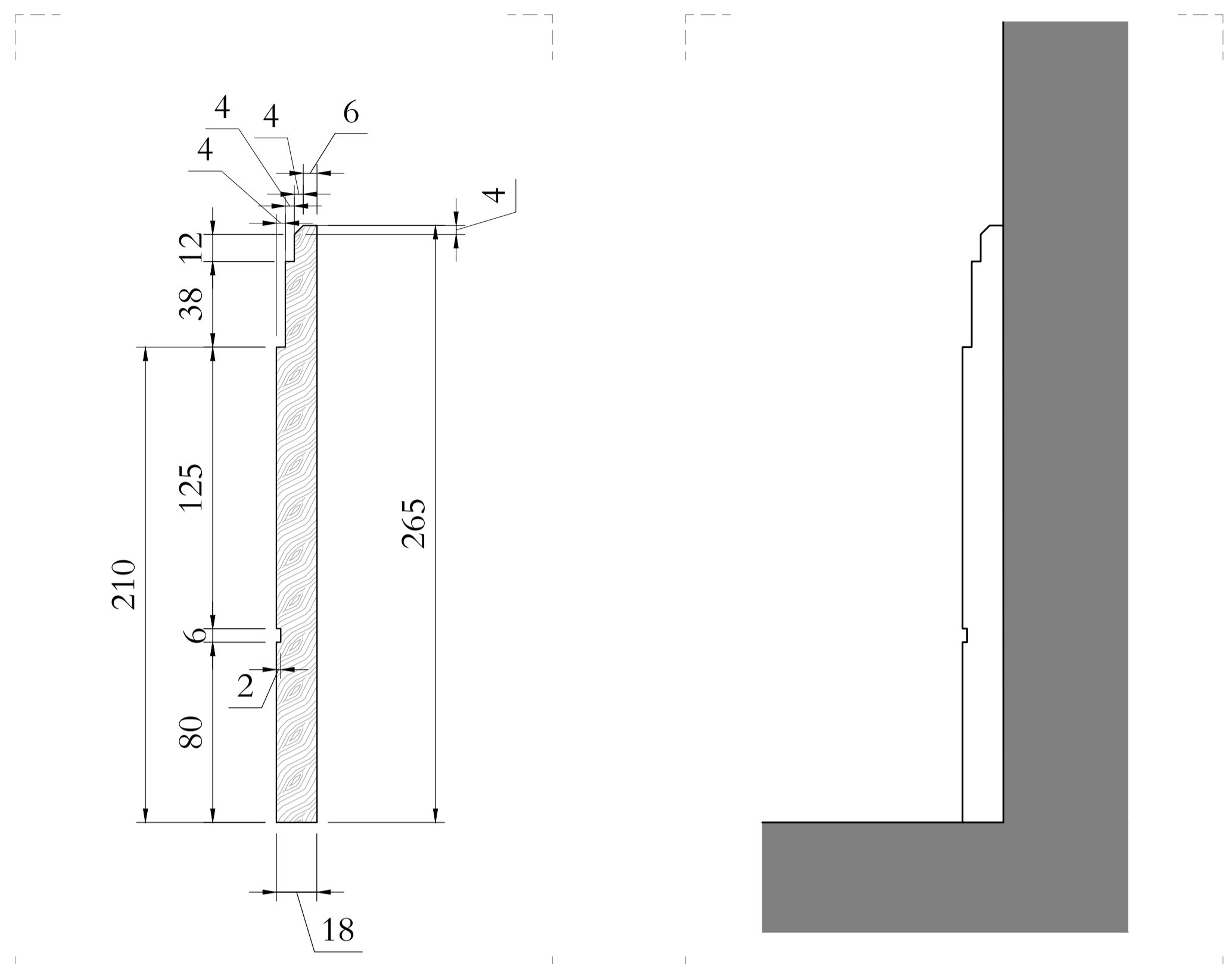


Notes:
 Drawings are based on survey data and may not accurately represent what is physically present.
 Do not scale from this drawing. All dimensions are to be verified on site before proceeding with the work.
 All dimensions are in millimeters unless noted otherwise.
 Purcell shall be notified in writing of any discrepancies.

Key Plan
 not to scale



Proposed Skirting detail (with dimensions)

1:2

Skirting detail (without dimensions)

1:2



Typical Existing Skirting to be Replaced

Upper Floors



Typical Existing Skirting to be Replaced

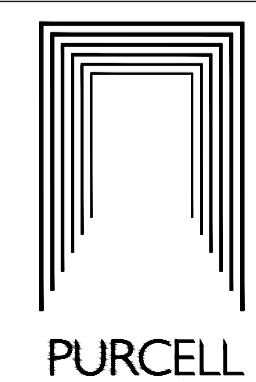
Ground Floor

ISSUE	DATE	DRAWN	CHECKED	DESCRIPTION
First Issue	28 Oct 2016	DC	DC	
CLIENT		Grosvenor Propco Limited		
PROJECT		28 Chester Terrace		
DRAWING TITLE		Proposed Details Typical Skirting Detail		
SIZE & SCALE		A1L	1:2	
DRAWING STATUS	ISSUED FOR PLANNING			

JOB NUMBER 236868

DRAWING NO. 338

REVISION -



PURCELL