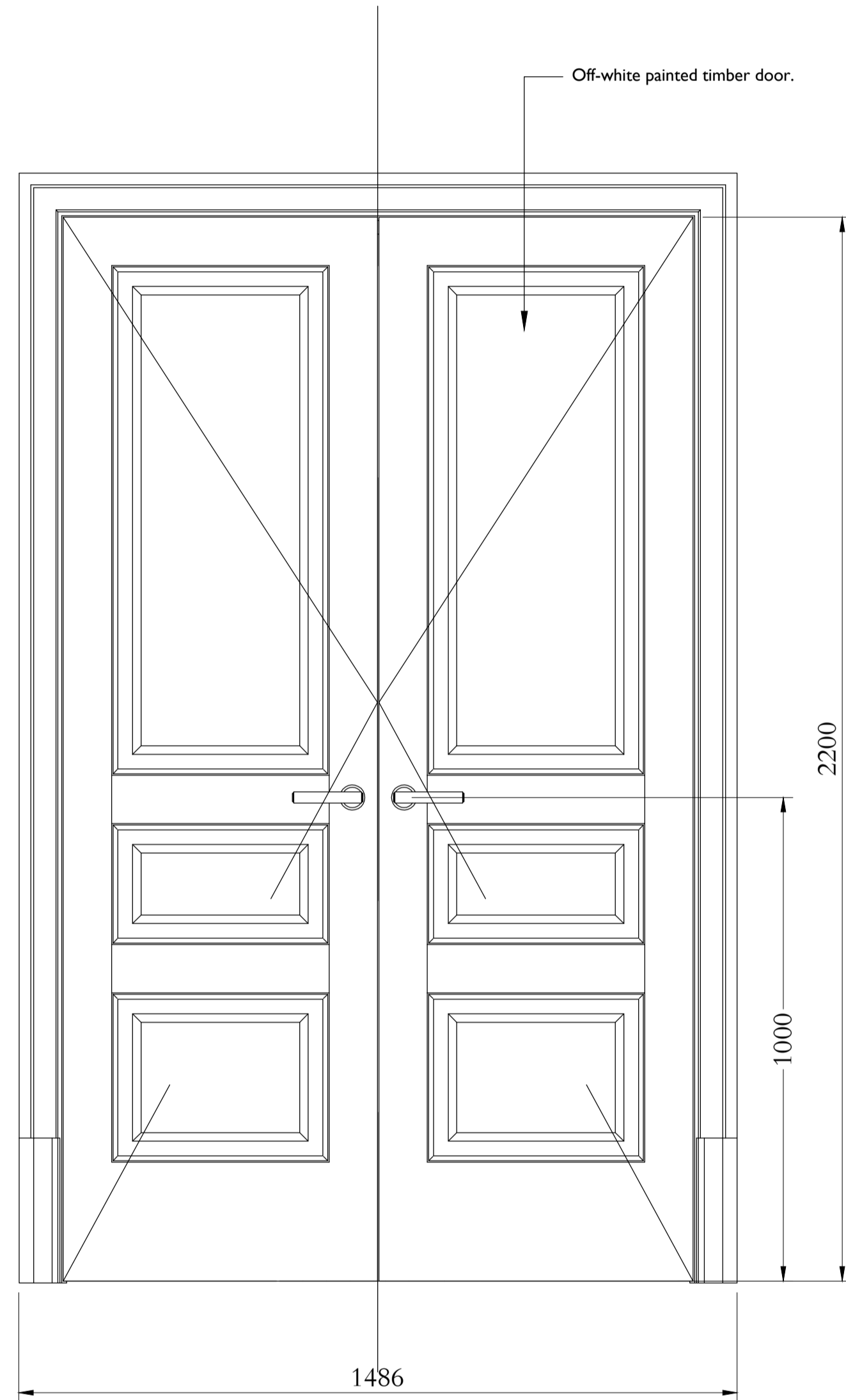
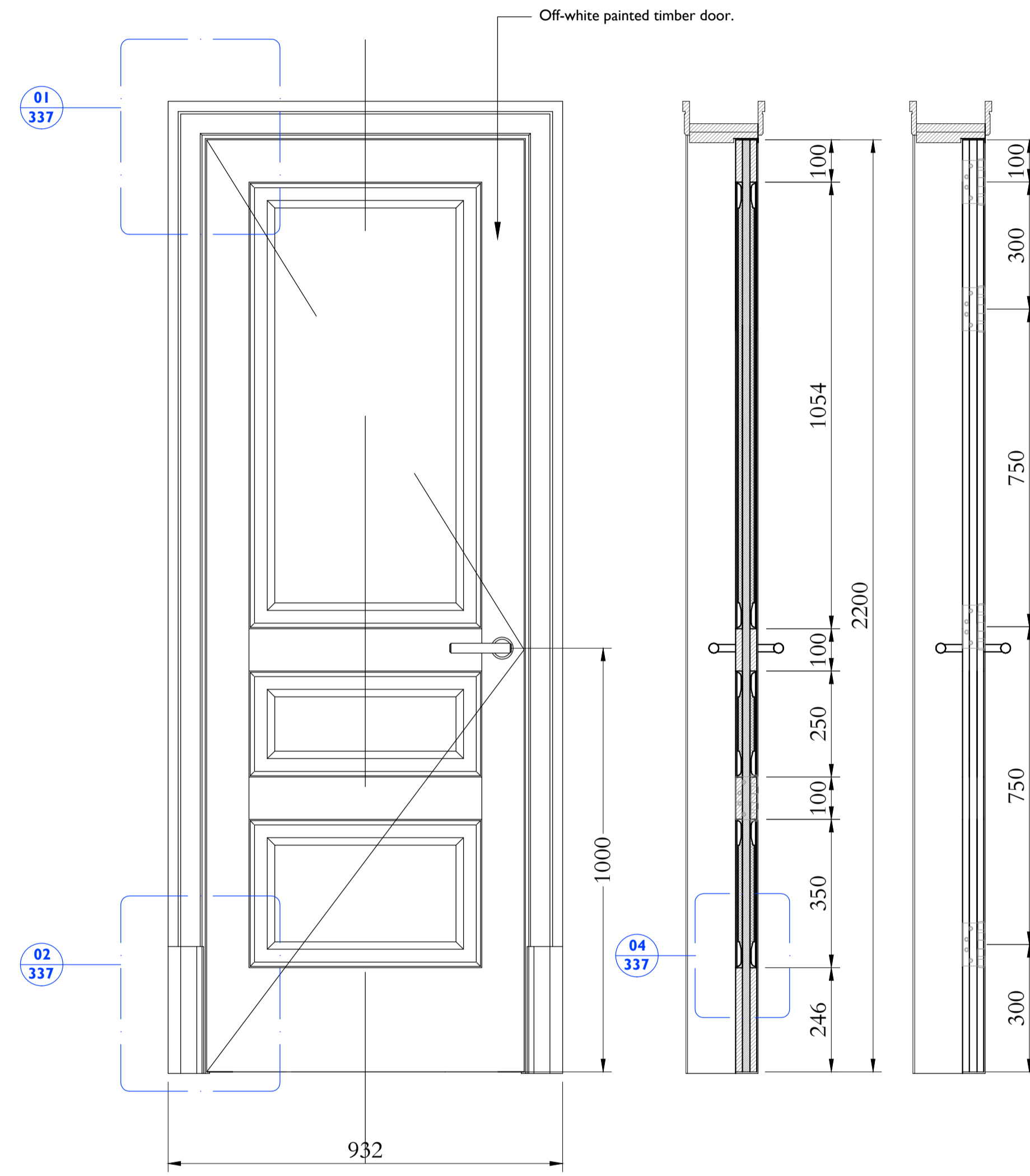


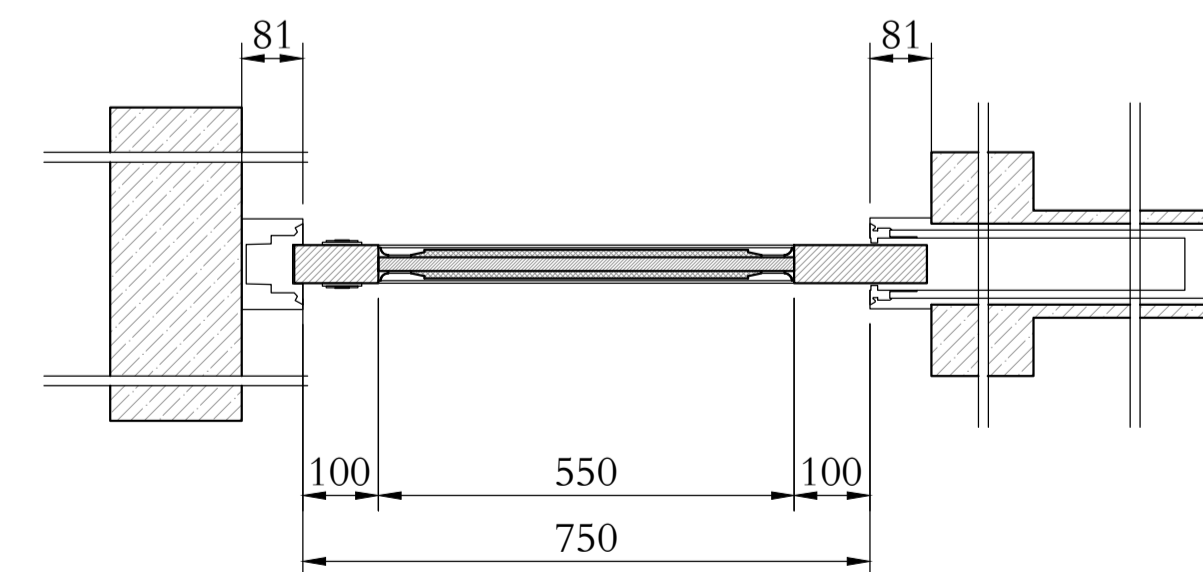
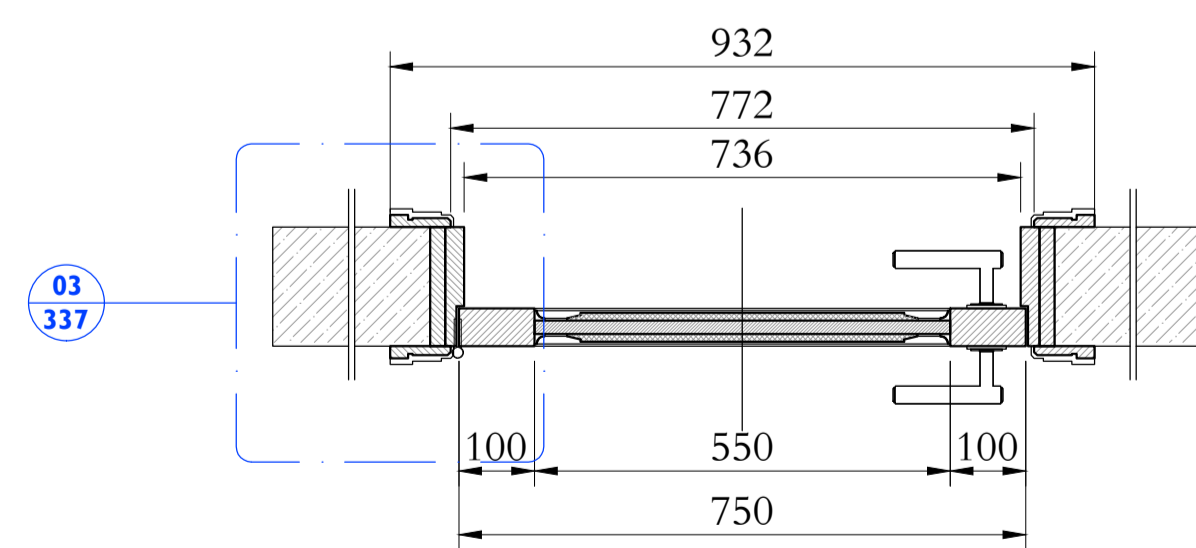
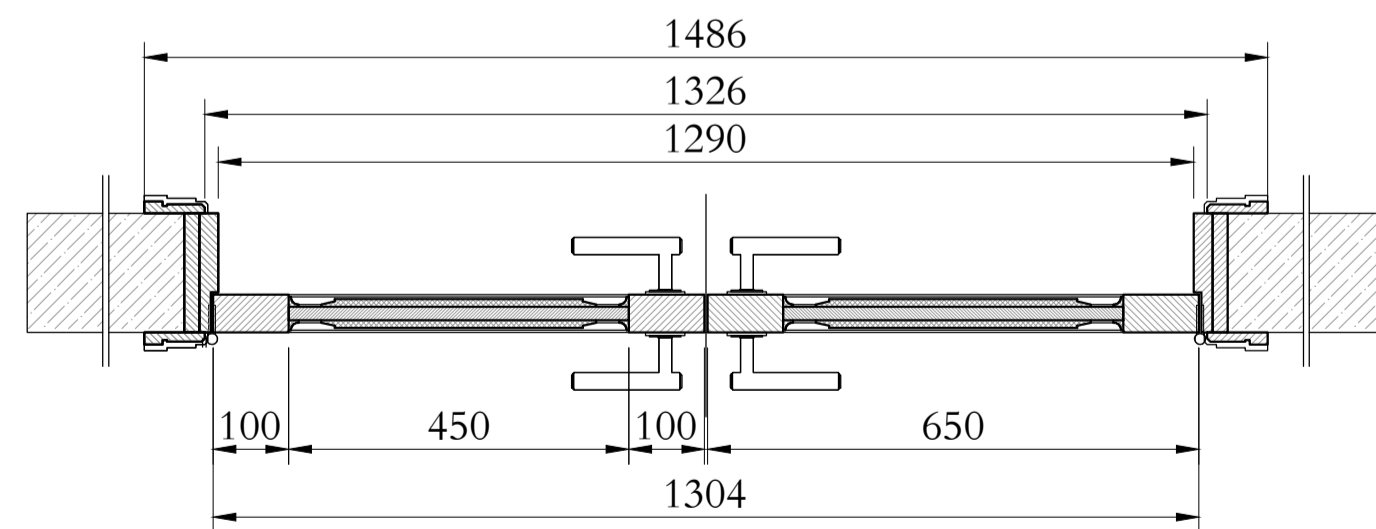
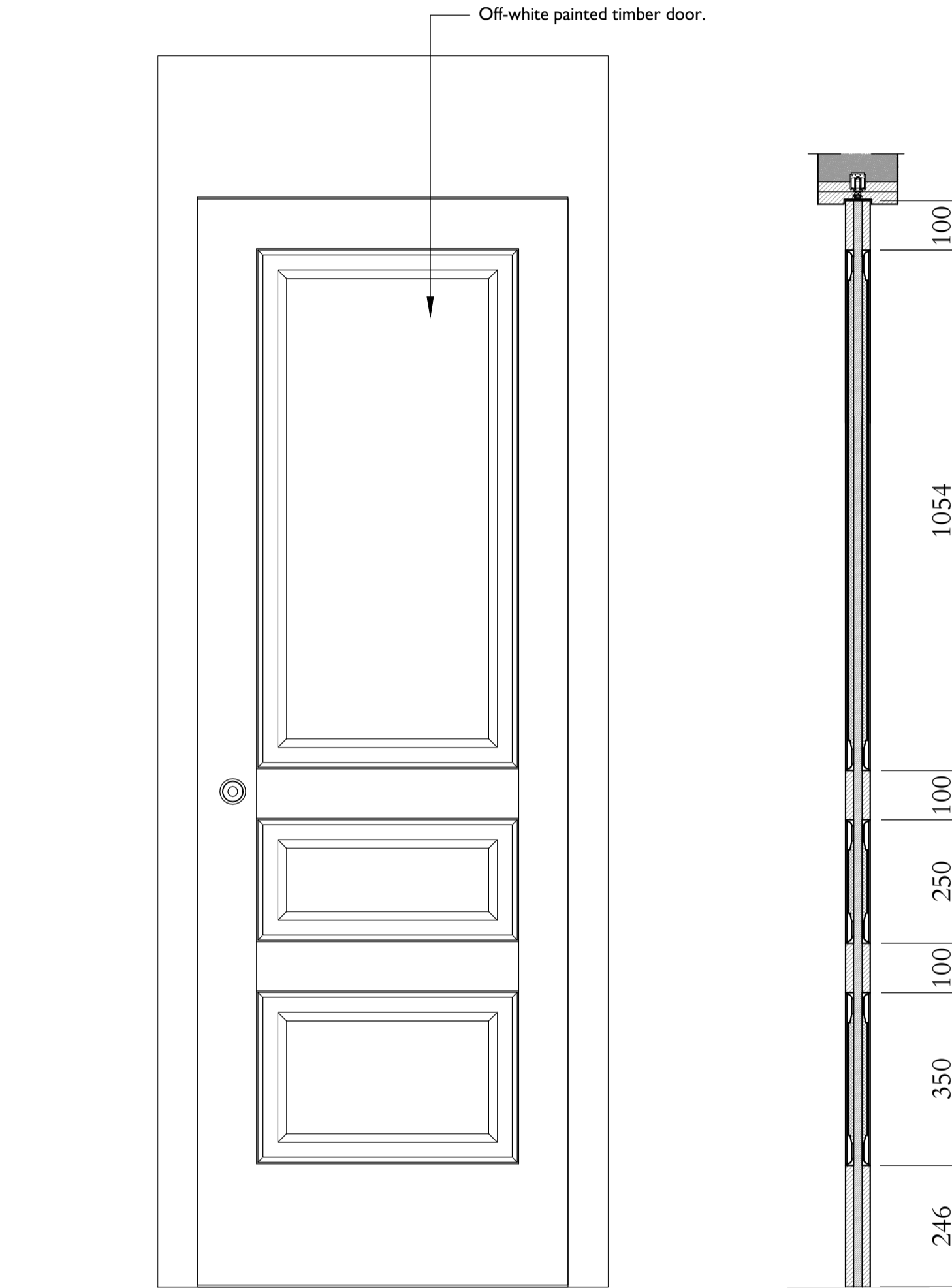
DOOR 1300 X 2200
3RD-F 01



DOOR 750 x 2200
3RD-F 02
3RD-F 03
3RD-F 05
3RD-F 06

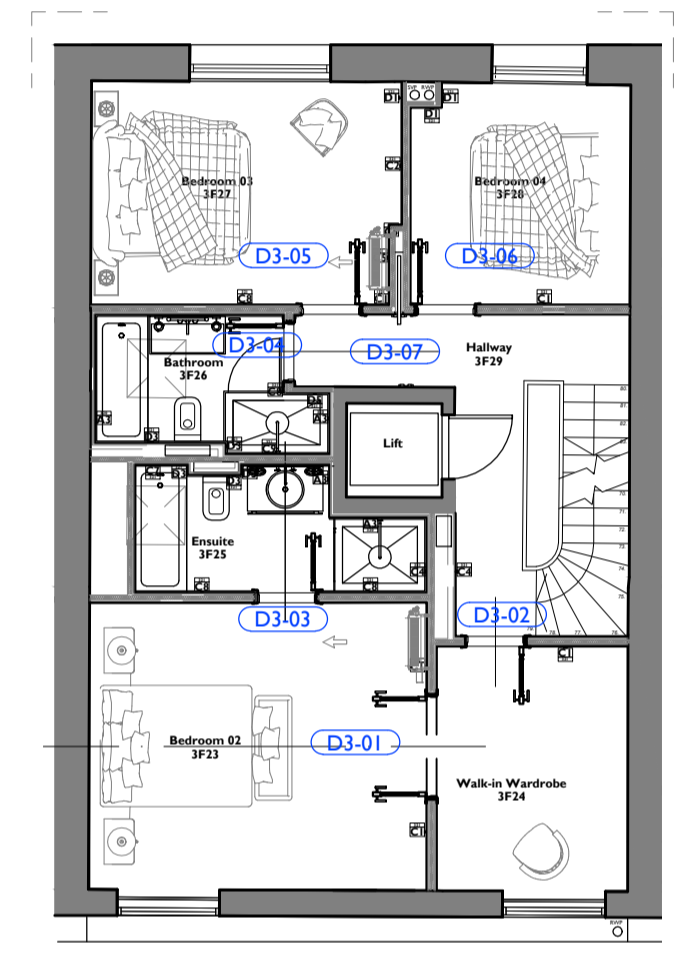


SLIDING DOOR 750 x 2200
FLUSH WITH THE WALL
3RD-F 07



Notes:
Drawings are based on survey data and may not accurately represent what is physically present.
Do not scale from this drawing. All dimensions are to be verified on site before proceeding with the work.
All dimensions are in millimeters unless noted otherwise.
Purcell shall be notified in writing of any discrepancies.

Key Plan
not to scale



3F Key Plan 1:100

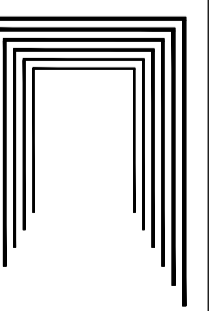


ISSUE	DATE	DRAWN	CHECKED	DESCRIPTION
First Issue	28 Oct 2016	DC	DC	
CLIENT	Grosvenor Propco Limited			
PROJECT	28 Chester Terrace			
DRAWING TITLE	Proposed Door Details D3-01, -02, -03, -05, -06 and -07			
SIZE & SCALE	A1L 1:10			
DRAWING STATUS	ISSUED FOR PLANNING			

JOB NUMBER 236868

DRAWING NO. 334

REVISION -



PURCELL