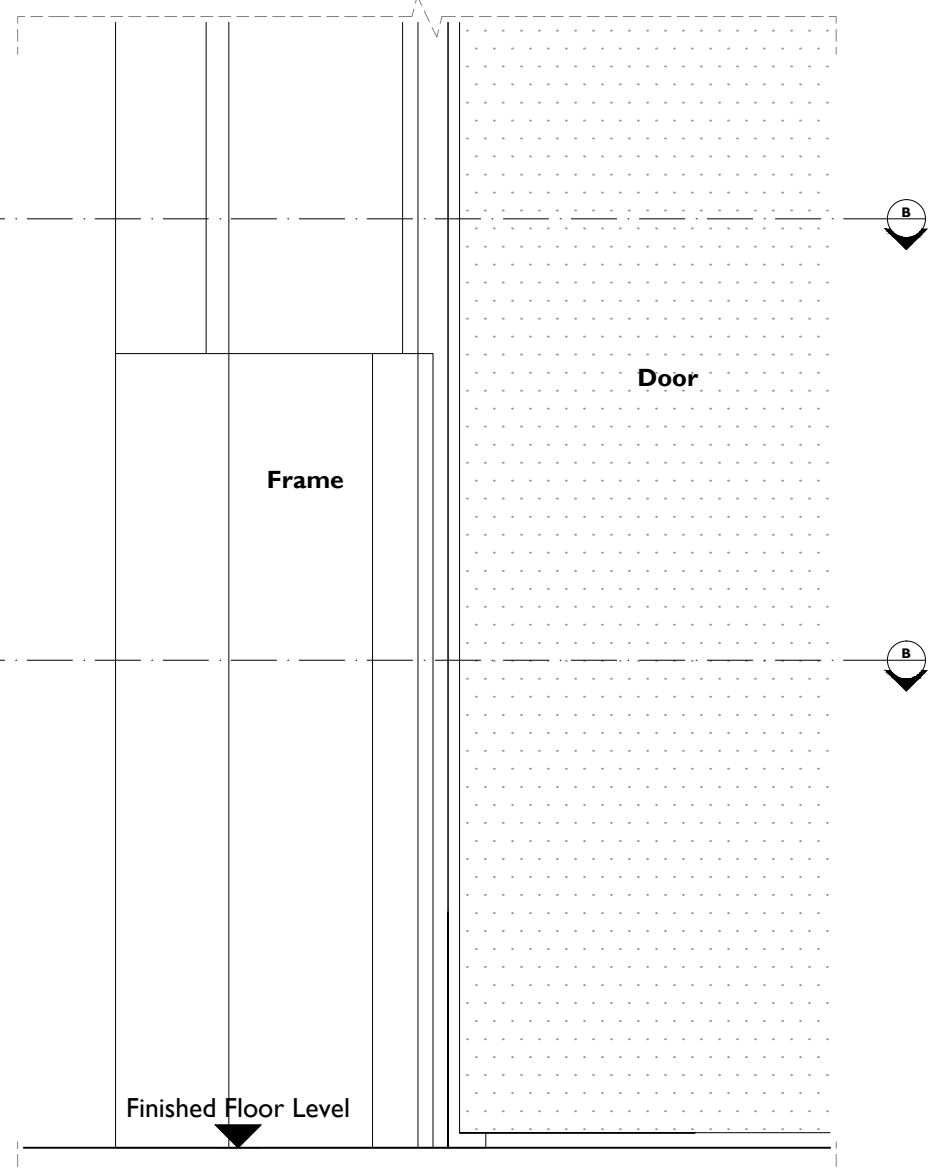


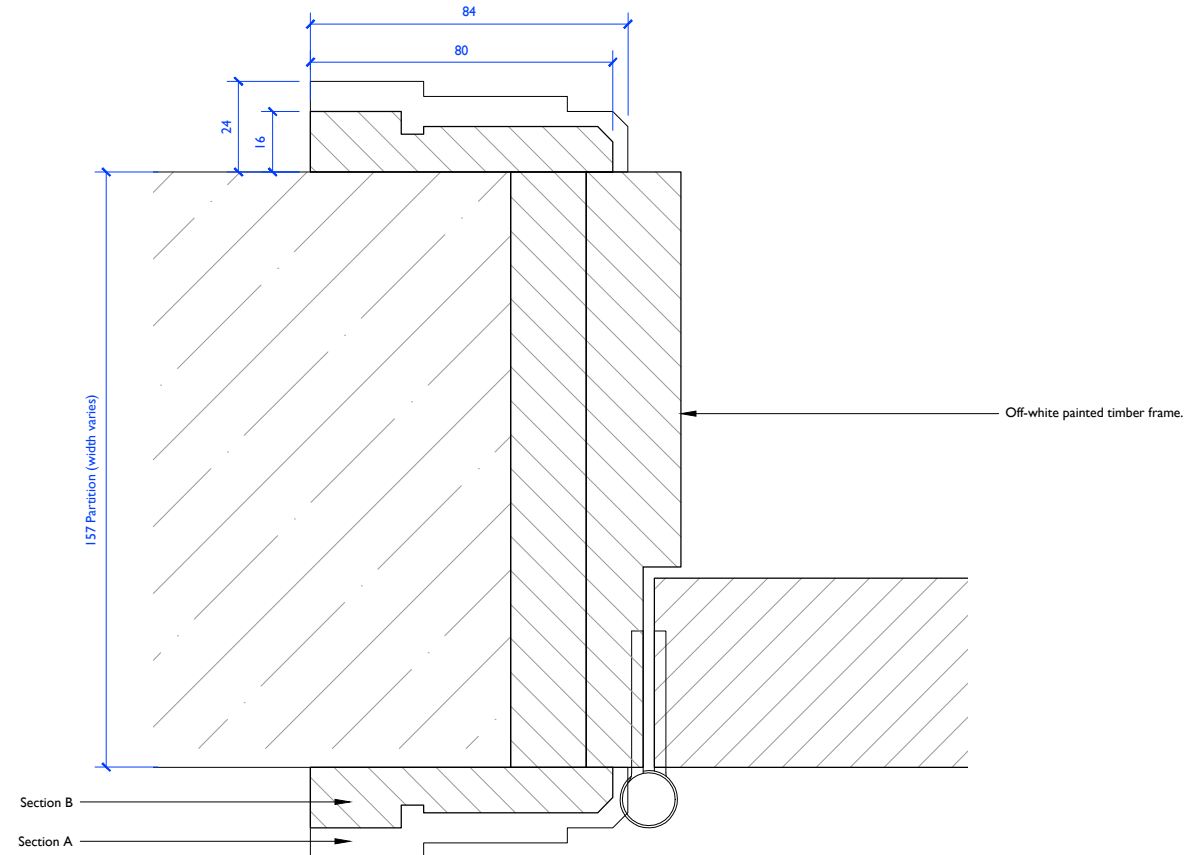
01 Typical Frame Detail - Corner

1:1



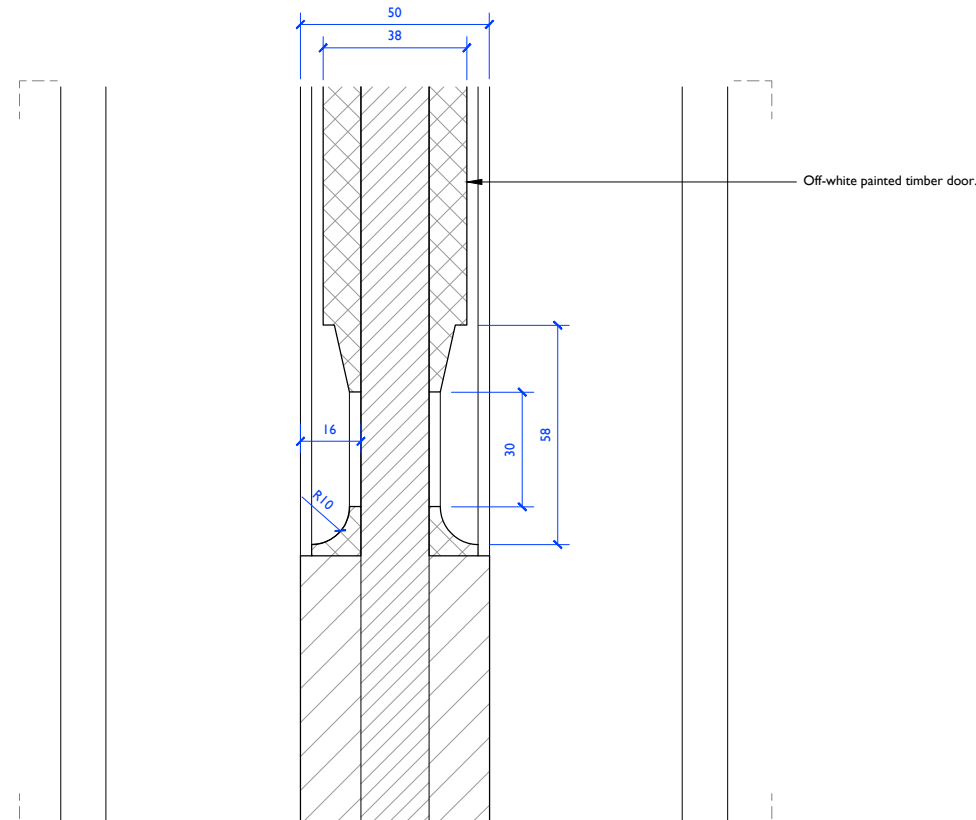
02 Typical Frame Detail - Skirting

1:1



03 Typical Frame Detail - Plan

1:1



04 Typical Door Section Detail

1:1

**Notes:**  
 Drawings are based on survey data and may not accurately represent what is physically present.  
 Do not scale from this drawing. All dimensions are to be verified on site before proceeding with the work.  
 All dimensions are in millimeters unless noted otherwise.  
 Purcell shall be notified in writing of any discrepancies.

**Key Plan**  
 not to scale

ISSUE	DATE	DRAWN	CHECKED	DESCRIPTION
First Issue	28 Oct 2016	DC	DC	
<b>CLIENT</b>		Grosvenor Propco Limited		
<b>PROJECT</b>		28 Chester Terrace		
<b>DRAWING TITLE</b>		Proposed Door Details Typical Details Sheet 2		
<b>SIZE &amp; SCALE</b>		A1L	1:1	
<b>DRAWING STATUS</b>	ISSUED FOR PLANNING			

**JOB NUMBER** 236868

**DRAWING NO.** 337

**REVISION** -

