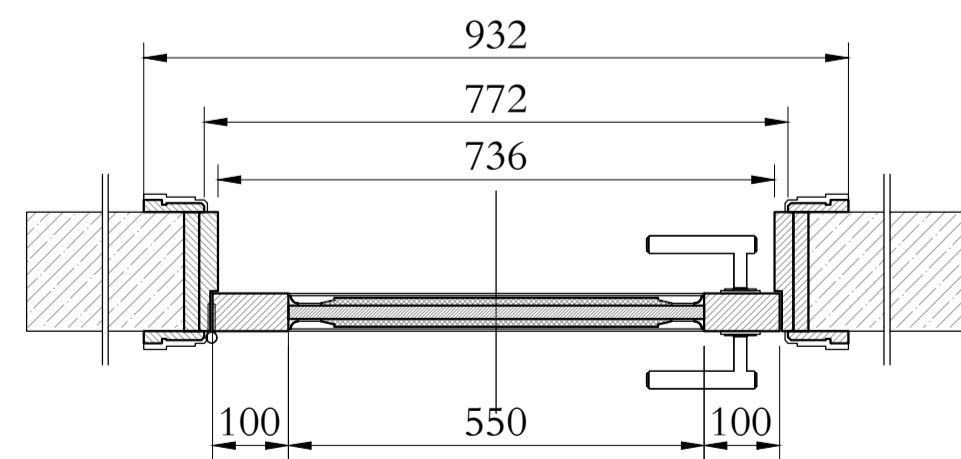
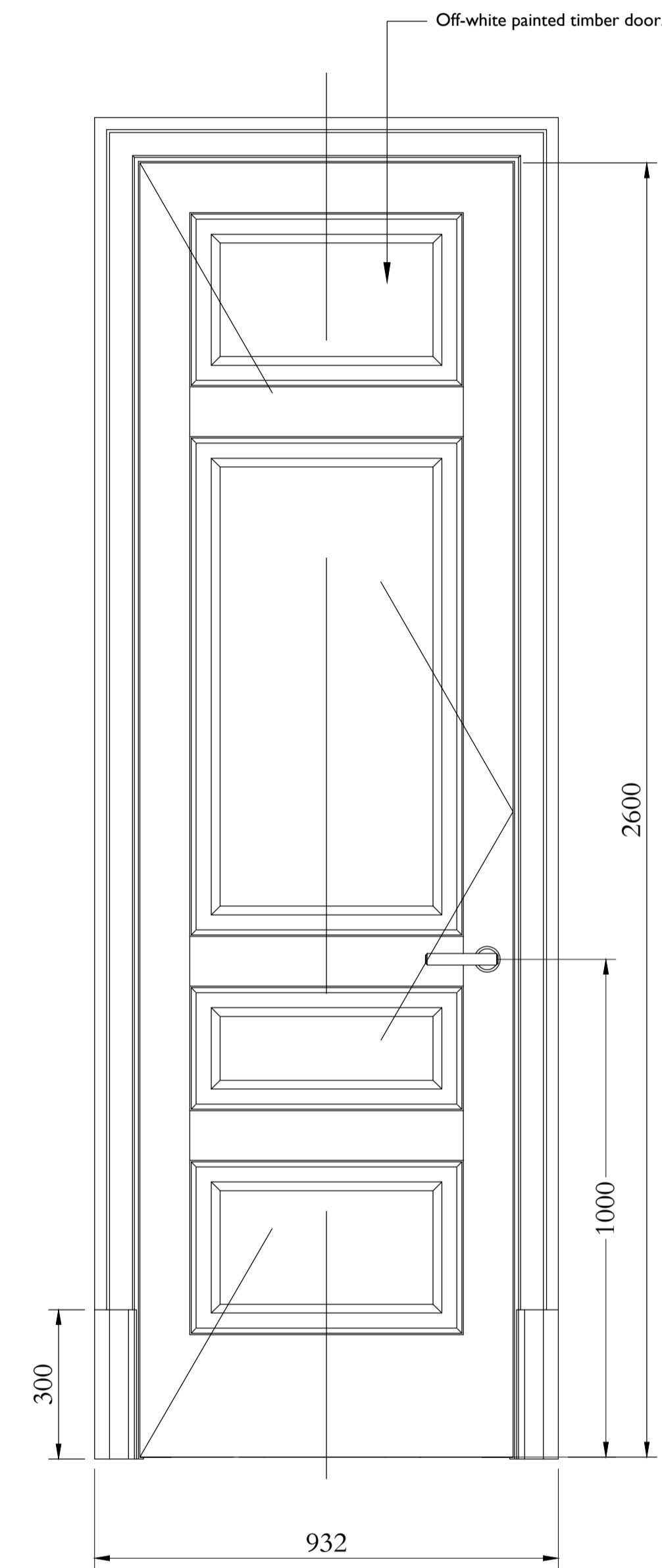


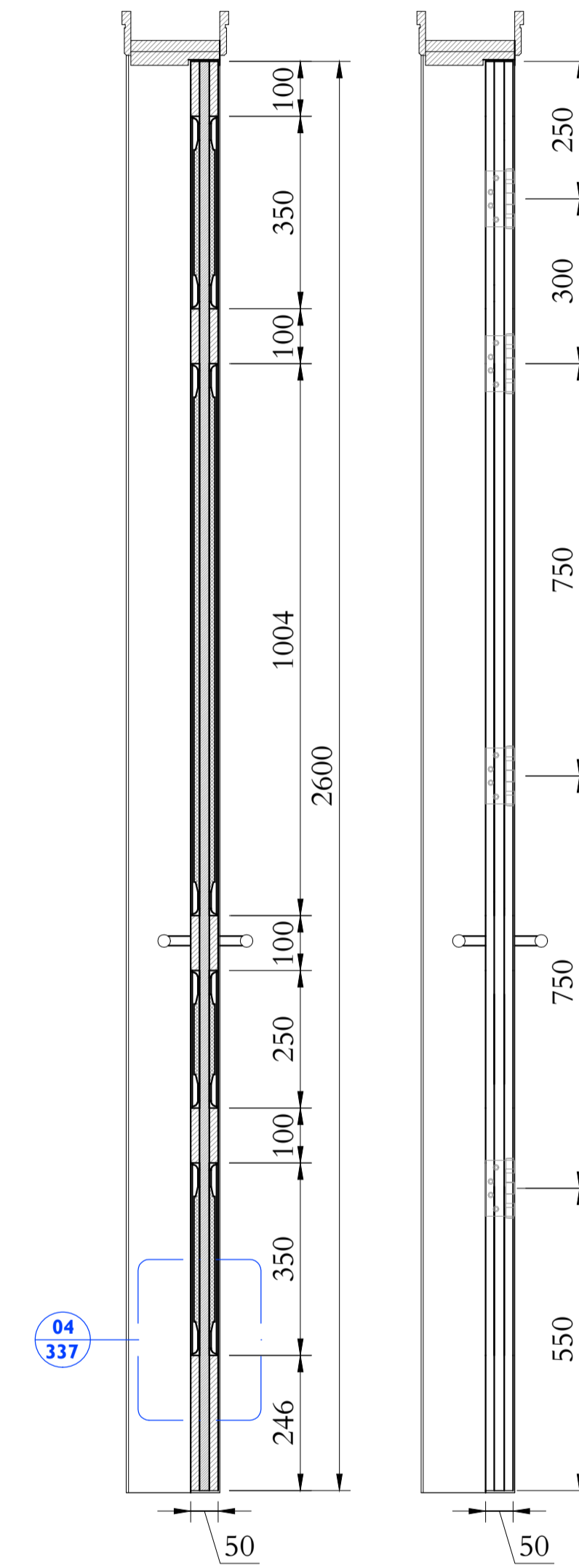
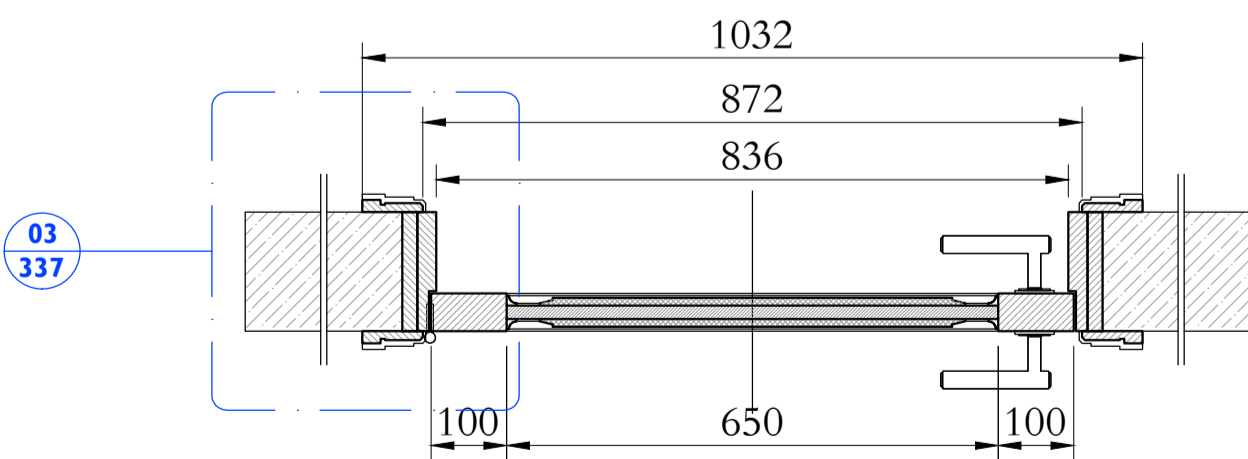
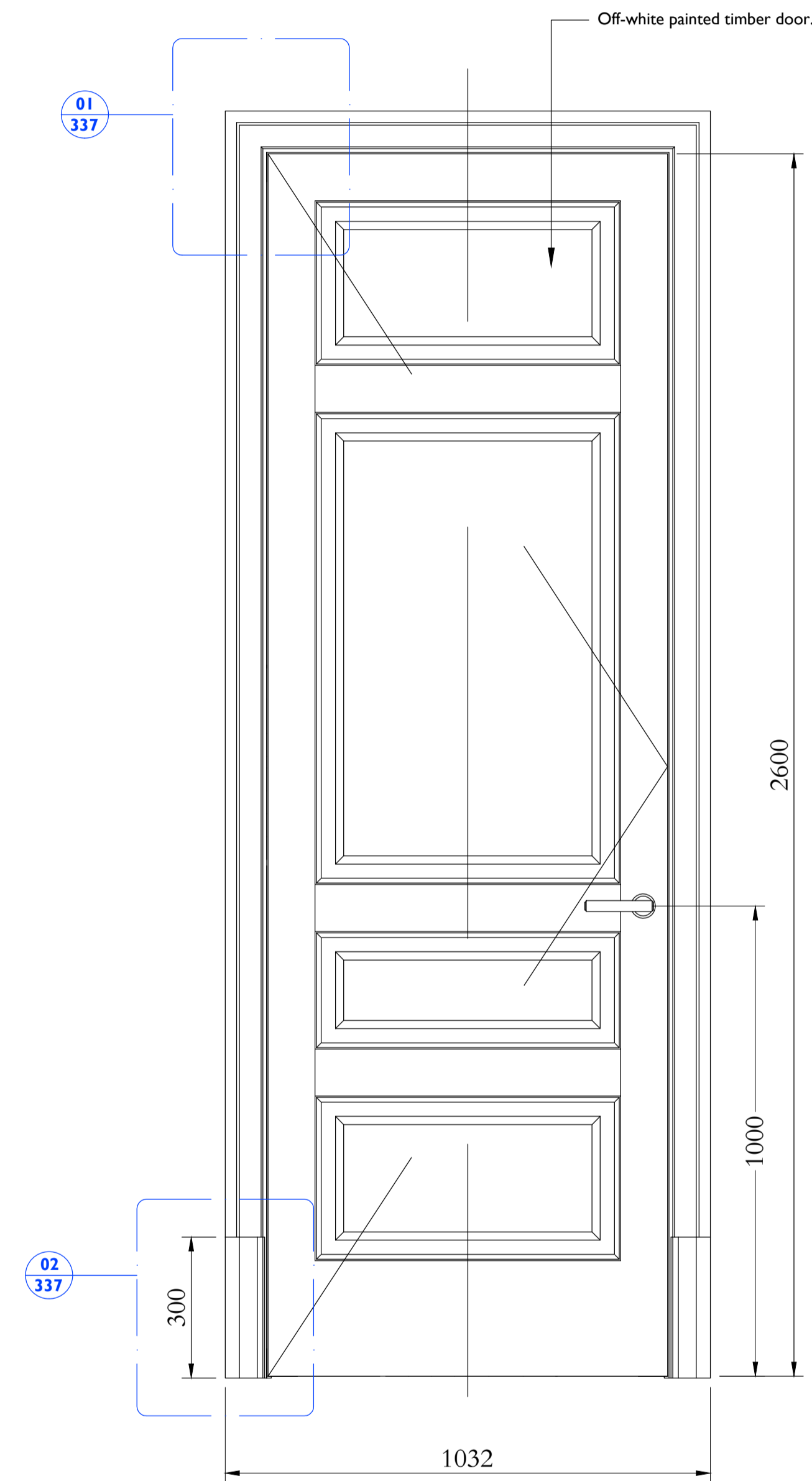
DOOR 750 X 2600

G-F 04  
G-F 05



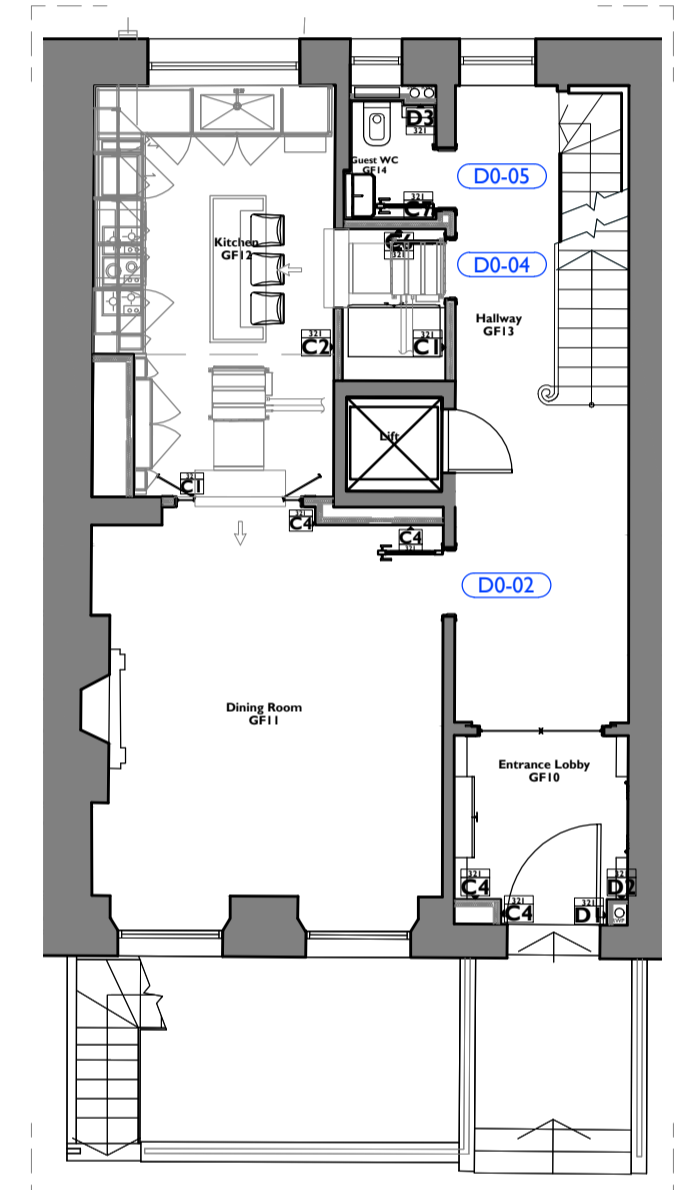
DOOR 850 X 2600

G-F 02  
1ST-F 01

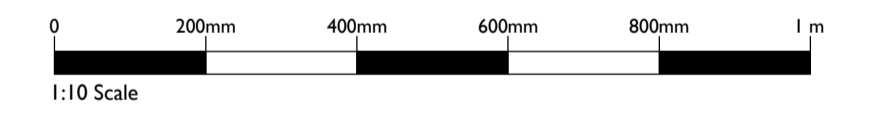


**Notes:**  
Drawings are based on survey data and may not accurately represent what is physically present.  
Do not scale from this drawing. All dimensions are to be verified on site before proceeding with the work.  
All dimensions are in millimeters unless noted otherwise.  
Purcell shall be notified in writing of any discrepancies.

**Key Plan**  
not to scale



GF Key Plan 1:100



First Issue 28 Oct 2016	DC	DC	
ISSUE	DATE	DRAWN	CHECKED
<b>CLIENT</b>		Grosvenor Propco Limited	
<b>PROJECT</b>		28 Chester Terrace	
<b>DRAWING TITLE</b>		Proposed Door Details D0-02, D0-04, D0-05 and D1-01	
<b>SIZE &amp; SCALE</b>		A1L 1:10	
<b>DRAWING STATUS</b>		ISSUED FOR PLANNING	

**JOB NUMBER** 236868  
**DRAWING NO.** 332  
**REVISION** -

