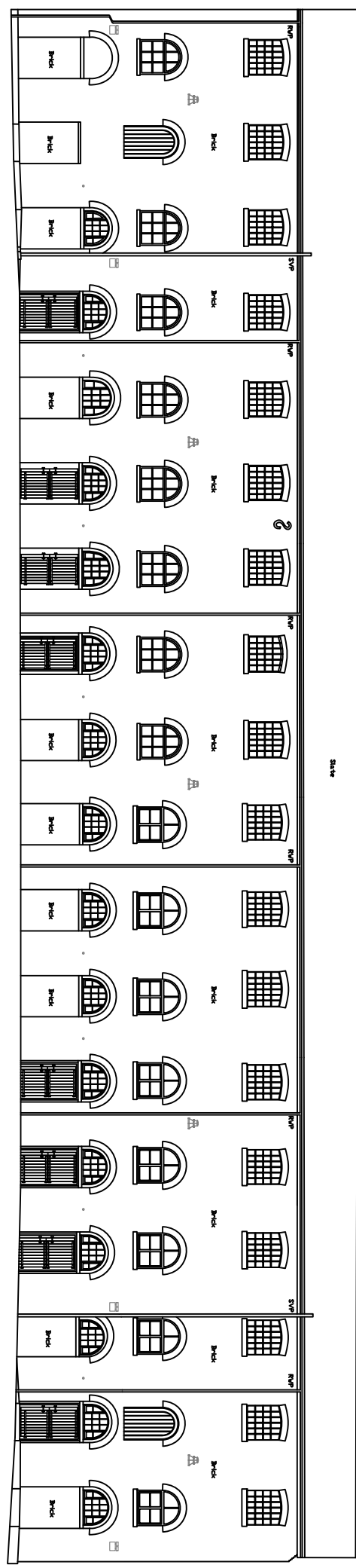
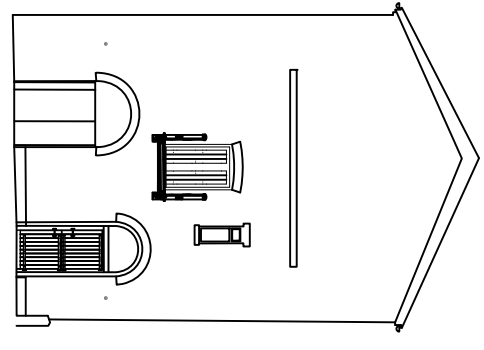


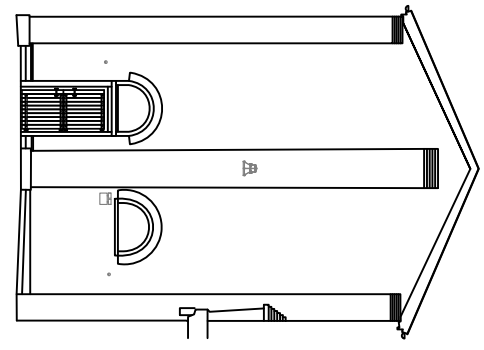
NORTH ELEVATION



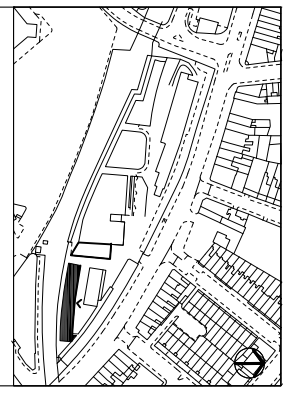
SOUTH ELEVATION



WEST ELEVATION



EAST ELEVATION



Please note that information used to produce these drawings is based on measured survey supplied by others; Stanley Sidings Ltd can not be held responsible for any inaccuracies that may exist. Please do not scale drawings. All dimensions should be verified on site.

Camden Stable Market
PROVENDER STORE (BLOCK B)

Drawing Title
EXISTING ELEVATIONS

1:200 @ A3
 0m 1m 3m 5m

Drawing Status
 Listed Building Consent

May 2015
 Drawing No
 SM-Additional Services-B01

Camden Stables Market
 London
 NW1
 United Kingdom

STANLEY SIDINGS