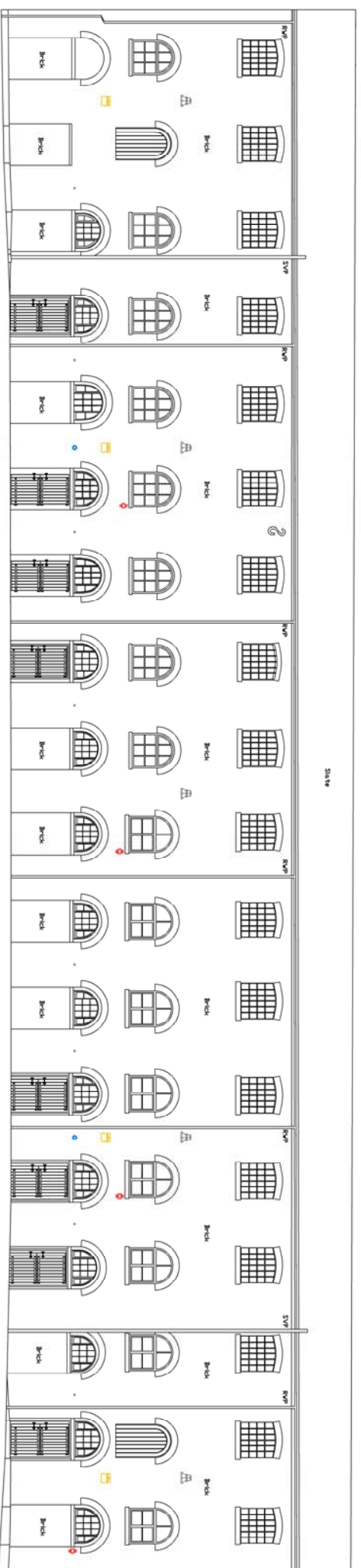
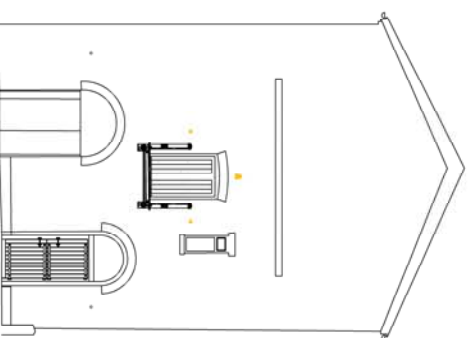


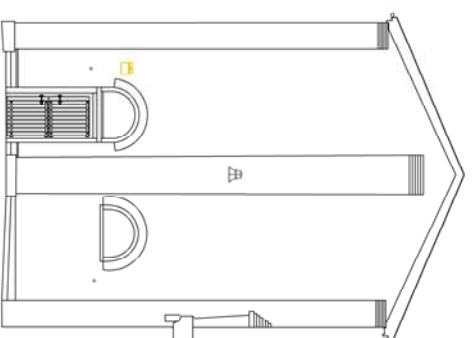
NORTH ELEVATION



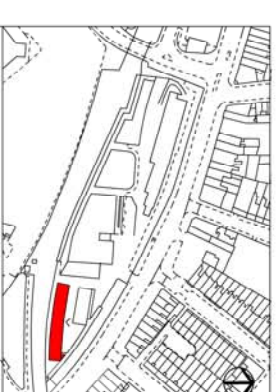
SOUTH ELEVATION



WEST ELEVATION



EAST ELEVATION



Please note that information used to produce these drawings is based on measured survey supplied by others. Stanley Sidings Ltd can not be held responsible for any inaccuracies that may exist. Please do not scale drawings. All dimensions should be verified on site.



CISCO MERAKI MR72
WI-FI ACCESS POINTS



AXIS P-3225 LVE
CCTV CAMERA



IGUZZINI WOODY 1400
EXTERNAL WALL-MOUNTED FLOODLIGHT



IGUZZINI TRICK 6802
EXTERNAL WALL-MOUNTED WASHER

PRODUCTS TO BE SPECIFIED

**Camden Stable Market
PROVENDER STORE (BLOCK B)**

**PROPOSED ELEVATIONS SHOWING
POSITIONS OF ADDITIONAL SERVICES**

1:200 @ A3

Drawing No SM-Additional Services-802

May 2015

Camden Stables Market
London
NW1
United Kingdom

STANLEY SIDINGS