

Time and Frequency GPS Antenna Model: L9 Series

Application - Defense (Military) ♦ SatCom ♦ Wireless

- ♦ Range Timing
- ♦ Communications Networks
- ♦ Satellite Ground Stations
- ♦ Test and Measurement Systems



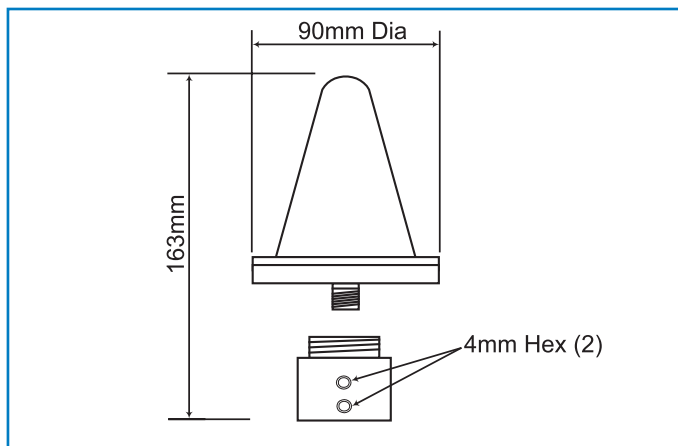
General Description

The L9x GPS Antenna is the latest offering from TRAK Microwave, used to provide the L1 carrier signals to the TRAK family of GPS synchronization systems. Proven reliability, advanced interference rejection, and effective reception of GPS signals makes this the standard used on all TRAK Time and Frequency Systems.

Specifications:

| | | | |
|---------------|--|--------------|---|
| Filtering: | Triple Filter, -60 dB @ 1575.42, ±50 MHz | Connector: | Model L9A "TNC" Female Model L9N "N" Female |
| Gain: | >30 dB, (35 dB Typical) | Dimensions: | Diameter, 3.5 Inches and Height, 4.0 Inches (Excluding Mast Adapter) |
| Noise Figure: | 2.2 dB Maximum | Weight: | 0.7 Pounds (Excluding Mast Adapter) |
| Protection: | 80V, IEC1000-4-5 | Temperature: | Operational, -40° C to +85° C Storage, -45° C to +90° C |
| Power Supply: | Model L9A + 5 to + 15 VDC Model L9N + 5, ±0.5 VDC | | |

Drawing



Specifications subject to change without notice.



TRAK Microwave
E-mail: sales@trak.com ♦ www.trak.com
4726 Eisenhower Blvd
Tampa, Florida 33634-6391 USA
Ph: 813-901-7200 ♦ Fx: 813-901-7491

Dunsinane Avenue
Dundee, DD2 3QF Scotland
Ph: 44-1382-427200 ♦ Fx: 44-1382-833599

