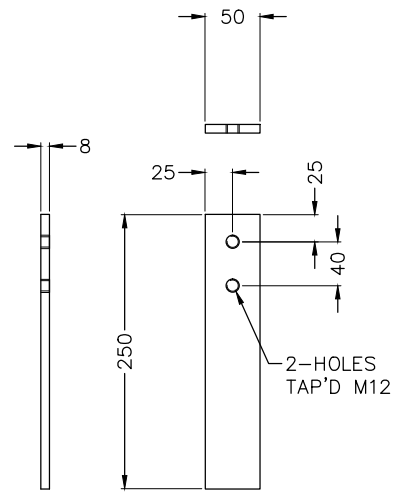
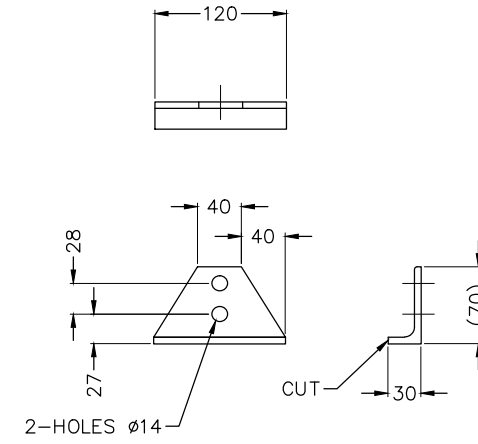


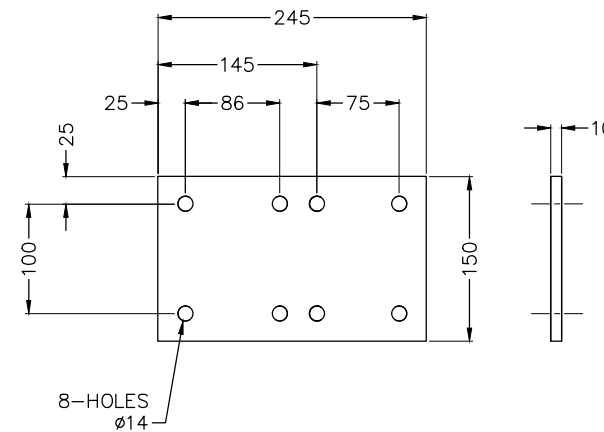
ITEM 1
SCALE 1:4
S.H.S 70x70x5 / 8THK PLATE / 3THK PLATE



ITEM 2
SCALE 1:3
8 THK PLATE.



ITEM 3
SCALE 1:3
ANGLE 70x70x6



ITEM 4
SCALE 1:3
10 THK PLATE

DIMENSIONS IN mm UNLESS OTHERWISE STATED

© British Telecommunications plc 2016

DO NOT SCALE

ORIGINAL SCALE AS SHOWN

A1 A2	DRN S.A.D CKD BCJ	ANY MODIFICATION TO THE DRAWING OR THE USE OF ALTERNATIVE ITEMS TO THOSE SPECIFIED MUST BE AGREED WITH THE DESIGNER.
	CERTIFICATION DESIGNER B.JOHNSON CLIENT A.MILLER	
DATE 27 09 16		

MATERIAL SEE BT SPEC RC8832
FINISH SEE BT SPEC RC8832

A
AMENDMENT

ISSUE
BT TSO

UK RSDO
WL 4005106

REFERENCES BT SPEC RC8832 SEE SCHEDULE
S/A 2016/0592-0585
DISH SIZE 2x0.6m
SHT 03 OF 03

LONDON TELECOM TOWER
1 x 0.8m DISH AND
3 x 2.9m DIPOLE ARRAYS
ON LEVEL T37 AT 167m ATD
ITEMS 1 TO 4

WL4005106.r01.DWG