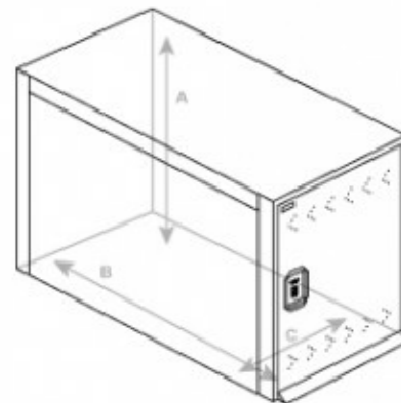


1 PROPOSED CYCLE SHELTER ELEVATION
1:20

- MADE TO MEASURE CYCLE SHELTER
- TIMBER PANEL FINISH
- 3 No. OF INDEPENDENT DOUBLE CYCLE LOCKERS
- LOCKABLE TIMBER CLAD SWING DOORS
- PROVISION OF 6 No. CYCLE SPACES IN TOTAL

A. Internal Height
1170mm (3ft 10")
B. Internal Depth:
1800mm (5ft 11")
C. Internal Width:
840mm (2ft 9")



2 INTERNAL DIMENSION OF EACH COMPARTMENT



3 INDICATIVE TYPOLOGY

26 WEL

26 West End Lane, NW6 4PA, London

Cycle Shelter Details

Scale
1:20@A3

Date
24.10.016

REV
00

1601

P-014