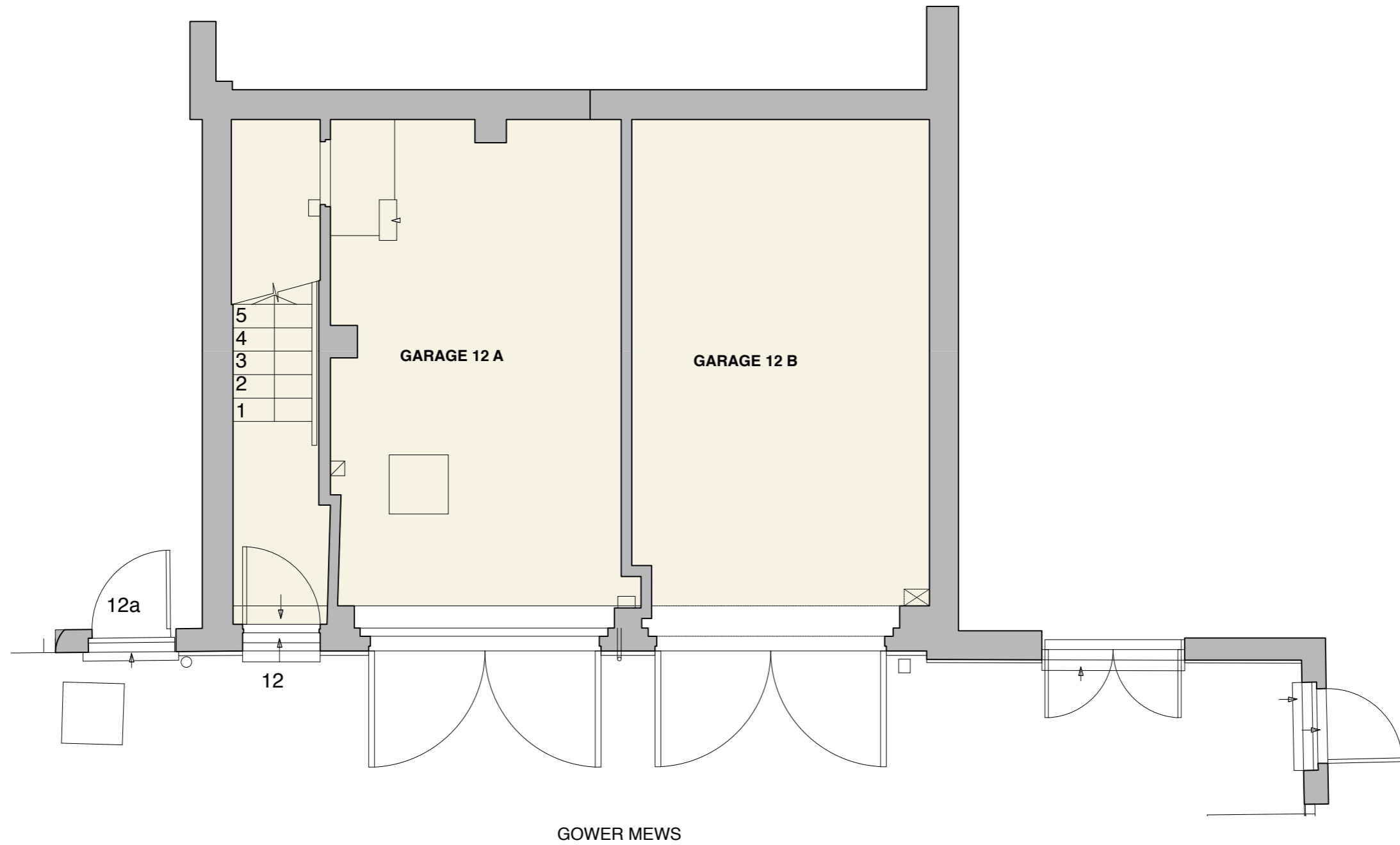


GENERAL NOTES:
 DO NOT SCALE FROM THIS DRAWING.
 ALL DIMENSIONS MUST BE CHECKED ON SITE AND ANY DISCREPANCIES VERIFIED WITH THE ARCHITECT.



EXISTING GROUND FLOOR PLAN

CLIENT
BEDFORD ESTATES

JOB TITLE
**12 - 12A GOWER MEWS
 LONDON
 WC1E 6HP**

DRAWING TITLE
**EXISTING GROUND
 FLOOR PLAN**

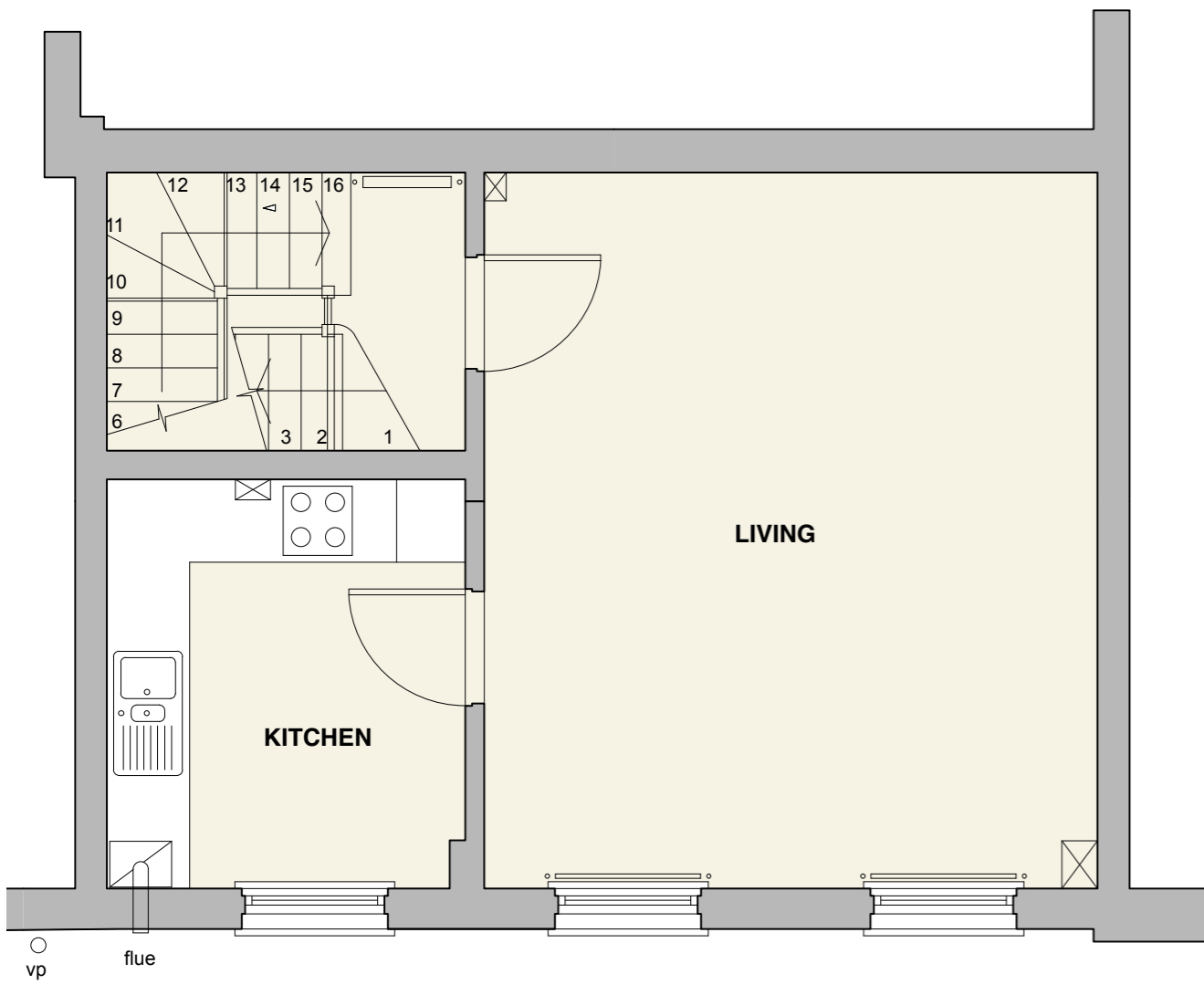
SCALE 1:50@A3	DATE 11.15
-------------------------	----------------------

FT ARCHITECTS LTD
 Hamilton House
 Mabledon Place
 Bloomsbury
 WC1H 9BB
 020 7953 0388
 www.ftarchitects.co.uk

DRAWING No. 317_00_01	REVISION
---------------------------------	----------

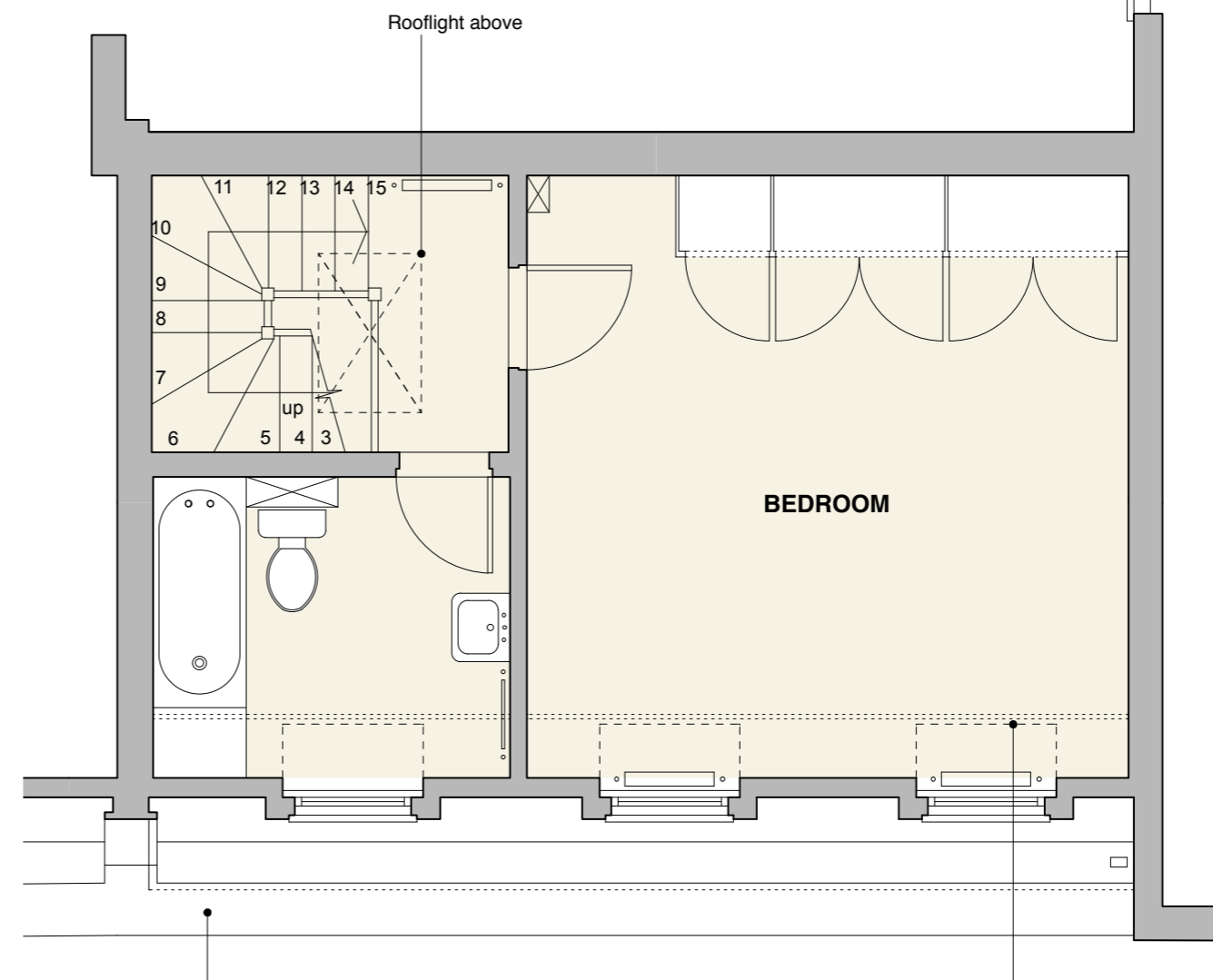


GENERAL NOTES:
 DO NOT SCALE FROM THIS DRAWING.
 ALL DIMENSIONS MUST BE CHECKED ON SITE AND ANY DISCREPANCIES VERIFIED WITH THE ARCHITECT.



GOWER MEWS

EXISTING FIRST FLOOR PLAN



GOWER MEWS

EXISTING SECOND FLOOR PLAN

CLIENT
THE BEDFORD ESTATES

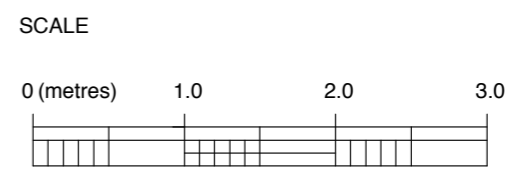
JOB TITLE
12 GOWER MEWS LONDON WC1E 6HP

DRAWING TITLE
EXISTING FIRST & SECOND FLOOR PLANS

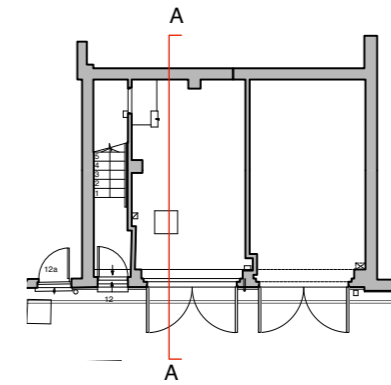
SCALE 1:50@A3	DATE 11.15
-------------------------	----------------------

FT ARCHITECTS LTD
 Hamilton House
 Mabledon Place
 Bloomsbury
 WC1H 9BB
 020 7953 0388
 www.ftarchitects.co.uk

DRAWING No. 317_00_02	REVISION
---------------------------------	----------



GENERAL NOTES:
 DO NOT SCALE FROM THIS DRAWING.
 ALL DIMENSIONS MUST BE CHECKED ON SITE AND ANY DISCREPANCIES VERIFIED WITH THE ARCHITECT.



KEY PLAN



Entrance into 12a Gower Mews
 Residential access into 12 Gower Mews

Rear entrance of 23 Bedford Square

EXISTING ELEVATION



EXISTING SECTION AA

SCALE



CLIENT
THE BEDFORD ESTATES

JOB TITLE
12 GOWER MEWS LONDON WC1E 6HP

DRAWING TITLE
EXISTING ELEVATION & SECTION

SCALE 1:100@A3	DATE 11.15
--------------------------	----------------------

FT ARCHITECTS LTD

Hamilton House
 Mabledon Place
 Bloomsbury
 WC1H 9BB
 020 7953 0388
 www.ftarchitects.co.uk

DRAWING No. 317_00_03	REVISION
---------------------------------	----------