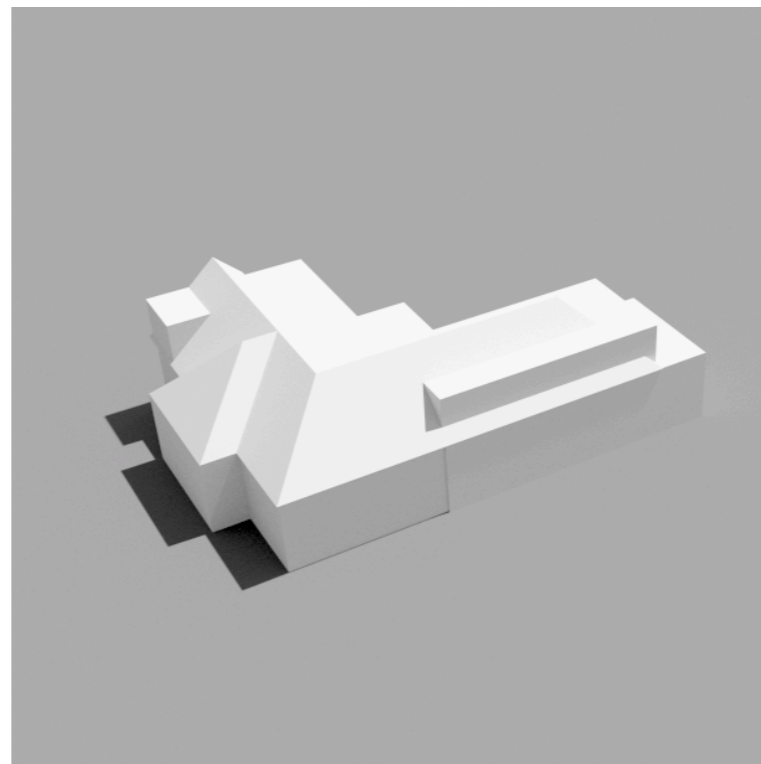
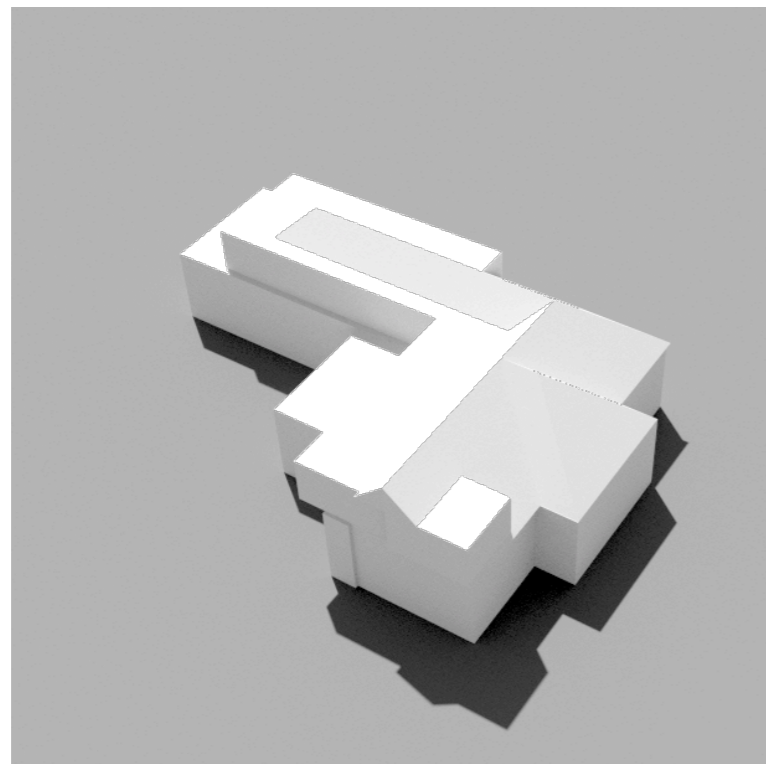
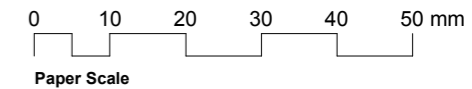
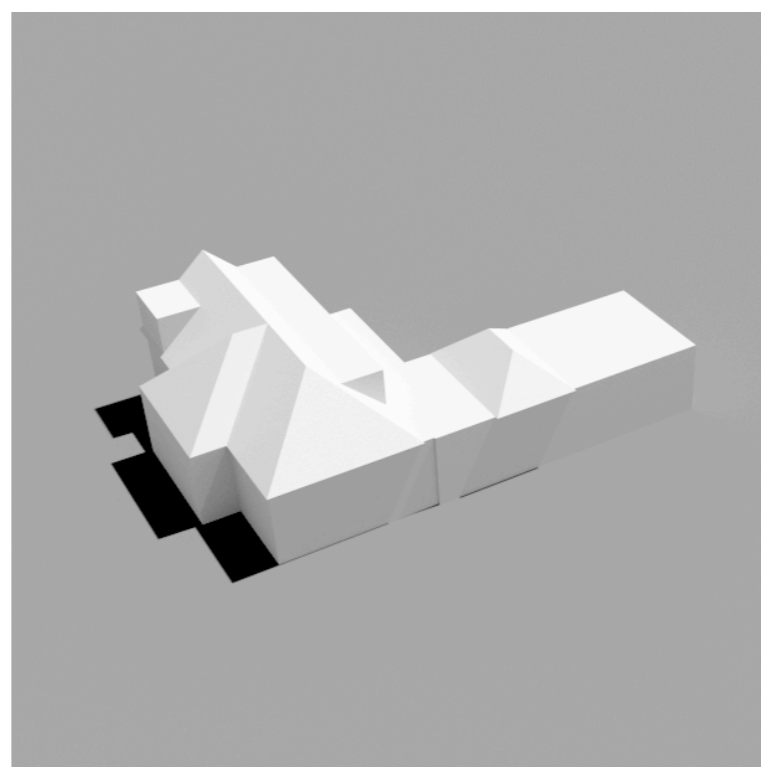
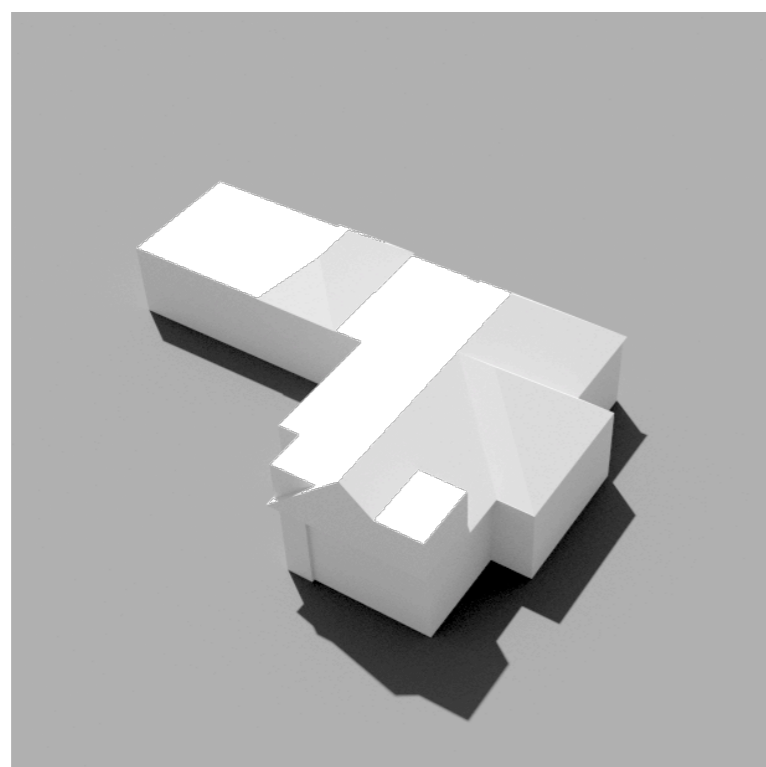


General Notes:



1 Proposed Volume 1112 m3 (21% increase)



2 Existing Volume 921m3

No. Date. Revision.

## PLANNING

Client. Mr and Mrs Shah

Project. 2 Inverforth Close NW3

Title. Existing and Proposed Volumes

Date. September 2016

Drawn By. DR Checked By.

Scale. No Scale

Do not scale from this drawing.

**Drawing No.** FP118\_PL028  
**Revision.**

Found Property Ltd  
14-16 Great Pulteney St, London W1F 9ND  
Phone +44 (0)20 7734 8400  
Fax +44 (0)20 7734 7400

# Found.