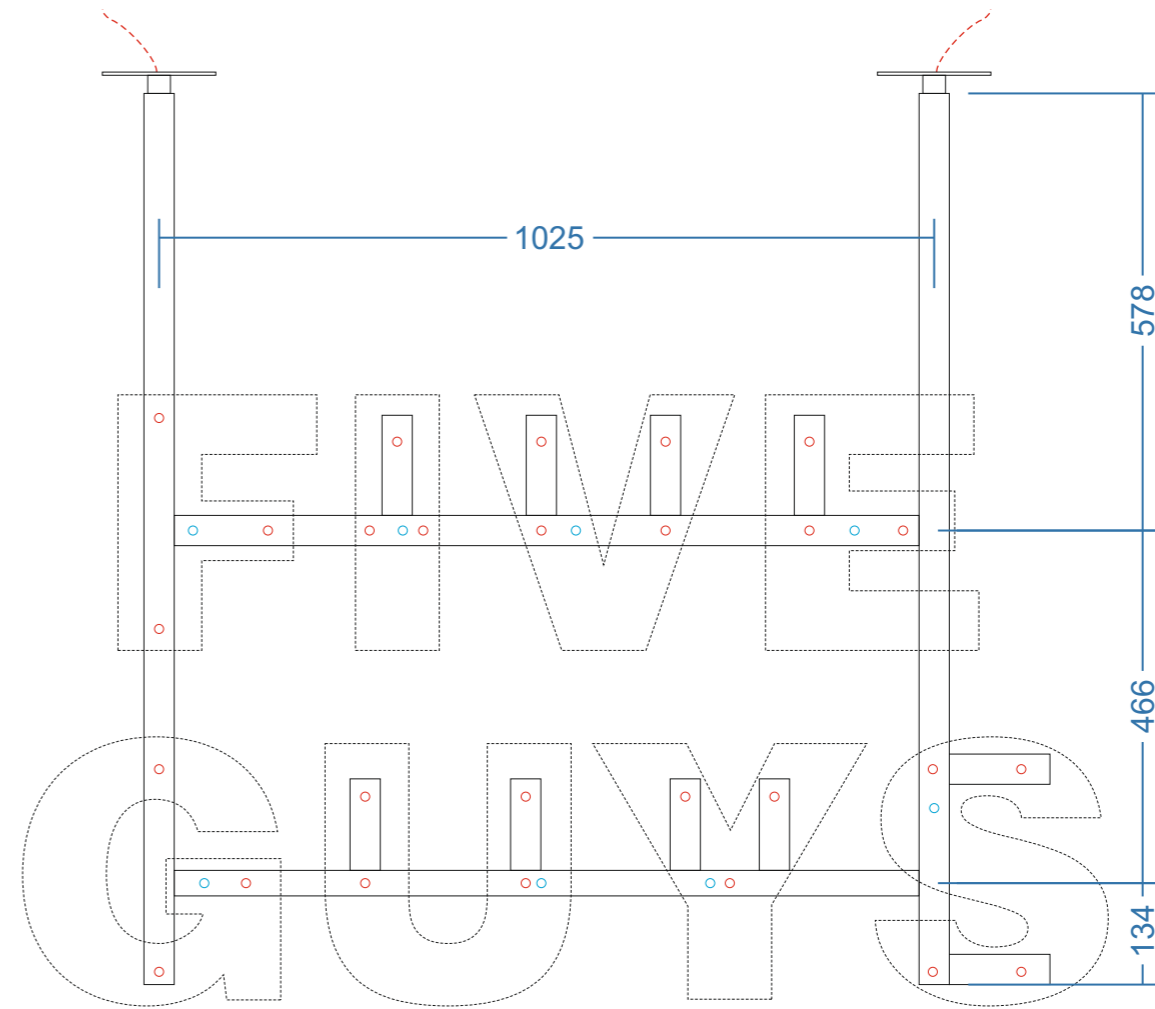




Five Guys Letters  
Scale 1:10



Five Guys Rail Set Up  
Scale 1:10



Proposed Elevations  
Scale 1:100



Proposed Elevation without café barriers or shop blinds  
Scale 1:100

Client: Five Guys - Tottenham Court Road		
Description: Rail Mounted Face Illuminated Letters		
Drawn By: M. Mannix	Checked By: J.McBride	Date: 05.08.2016
Drawing No: MM-0816-49	Status: For Approval	Scale: A/S @A3
Revisions:		
A	30.08.16	Signage updated to rev C
B	20.10.16	Remove arched sign
C	00.00.14	
D	00.00.14	
E	00.00.14	
BESTWOOD ROAD   BULWELL NOTTINGHAM   NG6 8SS Tel: 0115 976 1188 Fax: 0115 976 1213		
PREFERRED FORMATS: CorelDRAW X5 .cdr Adobe Illustrator CS3 .ai Encapsulated Post Script .eps OTHER FORMATS: Adobe Acrobat .pdf Adobe Photoshop CS3 .psd AutoCAD 2007 .dwg/.dxf WE REQUIRE VECTOR GRAPHICS (LINES AND CURVES WITH FONTS BROKEN APART) FOR CUTTING / MANUFACTURE OR HIGH RES IMAGES FOR DIGITAL PRINTING. PLEASE SUPPLY ANY COLOUR REFERENCES, FONTS AND ARTWORK. GUIDELINES, ARTWORK DEVELOPMENT, RE-GENERATION OR CONVERSION MAY INCUR ADDITIONAL COST.		

