

## Saxon Textured Commercial Flag Paving



### Available colour options



Saxon Textured -  
Brown



Saxon Textured - Buff



Saxon Textured -  
Charcoal



Saxon Textured -  
Marigold



Saxon Textured -  
Natural



Saxon Textured - Red

### Project Details

Project name:	UCL
Project location:	WC1H 0AY
Project type:	Education

**Load Category****CBR****Grid Required****Plan Size**

Don't know \*

No

450x300

\* The correct CBR is not known, so this design has been created on the assumption of a CBR of >5%. Be aware that without the correct CBR value, the design may be under specified.

## Cutaway Diagram



**Laying Course:** 30mm

**Roadbase:** 75mm

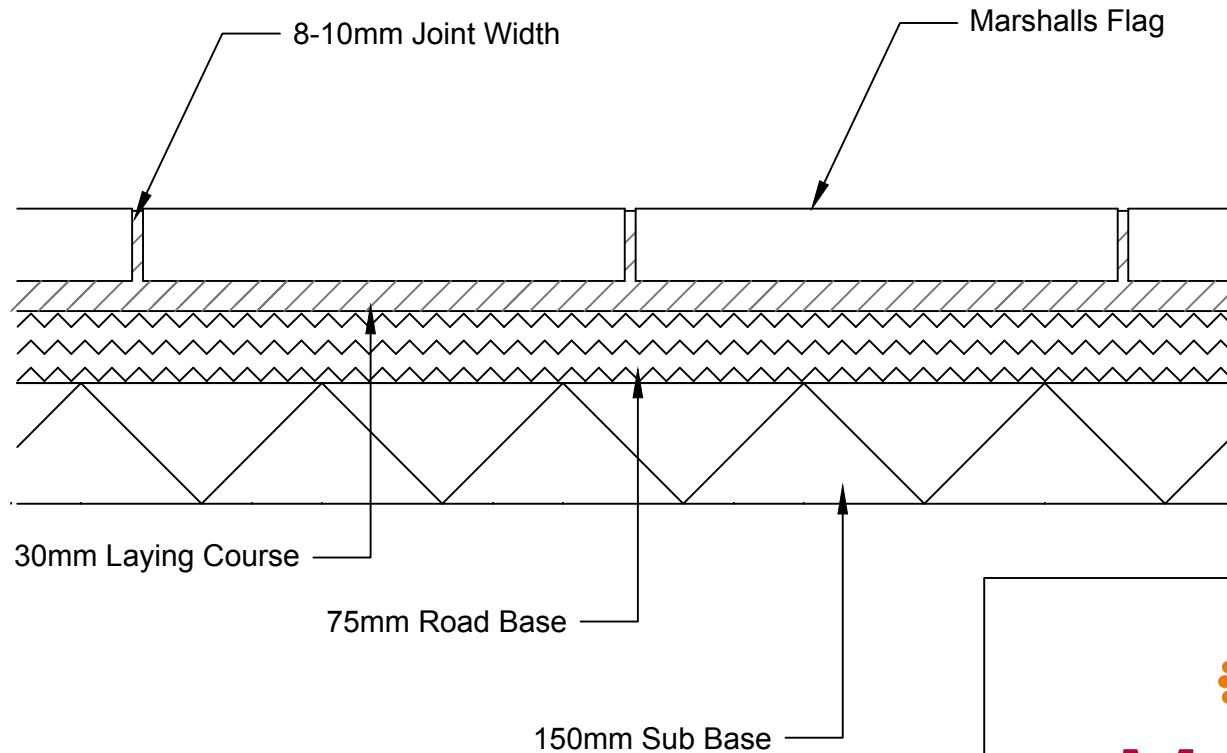
**Sub-Base:** 150mm

## Specification Clause

**Laying Course:** Laying Course to be Proprietary Modified Mortar in line with BS7533 Part 4 2006

**Road Base:** Road Base to be Cement Bound Granular Material C8/10 to SHW Clause 821 and prepared and installed to SHW Clause 813 and 814

**Sub Base:** Sub base to be Type 1 Granular Material Sub Base to SHW Clause 803 and prepared and installed to SHW Clause 802



Notes:

1. Laying Course to be Proprietary Modified Mortar in line with BS7533 Part 4 2006
2. Road Base to be Cement Bound Granular Material C8/10 to SHW Clause 821 and prepared and installed to SHW Clause 813 and 814
3. Sub Base to be Type 1 Granular Material to SHW Clause 803 and prepared and installed to SHW Clause 802



**Marshalls**

*Creating Better Spaces*

Customer Services, Marshalls PLC,  
Landscape House, Premier Way, Lowfields  
Business Park, Elland, Halifax, HX5 9HT.  
Tel: 0370 4113344, Fax: 01422 312945

DRAWING

Marshalls Flag, Bound, Cat 2: Car and Light Vans

Drawing Ref.

KTS-012-2

REV. SCALE DATE DRAWN

- NTS 25.11.15 NA