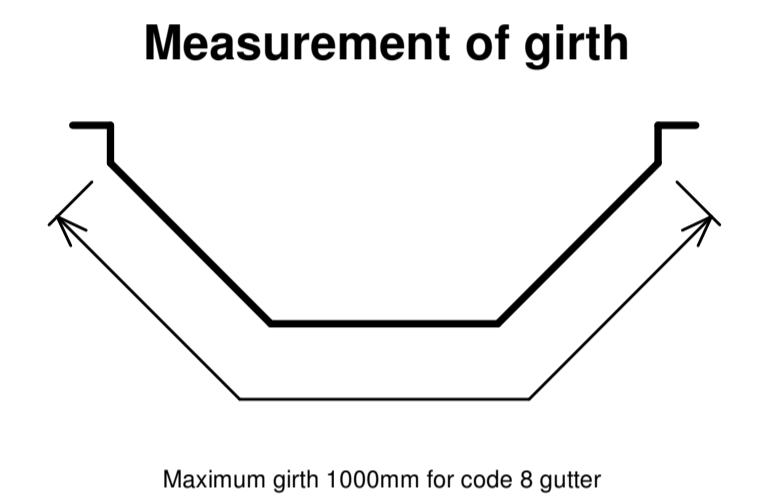
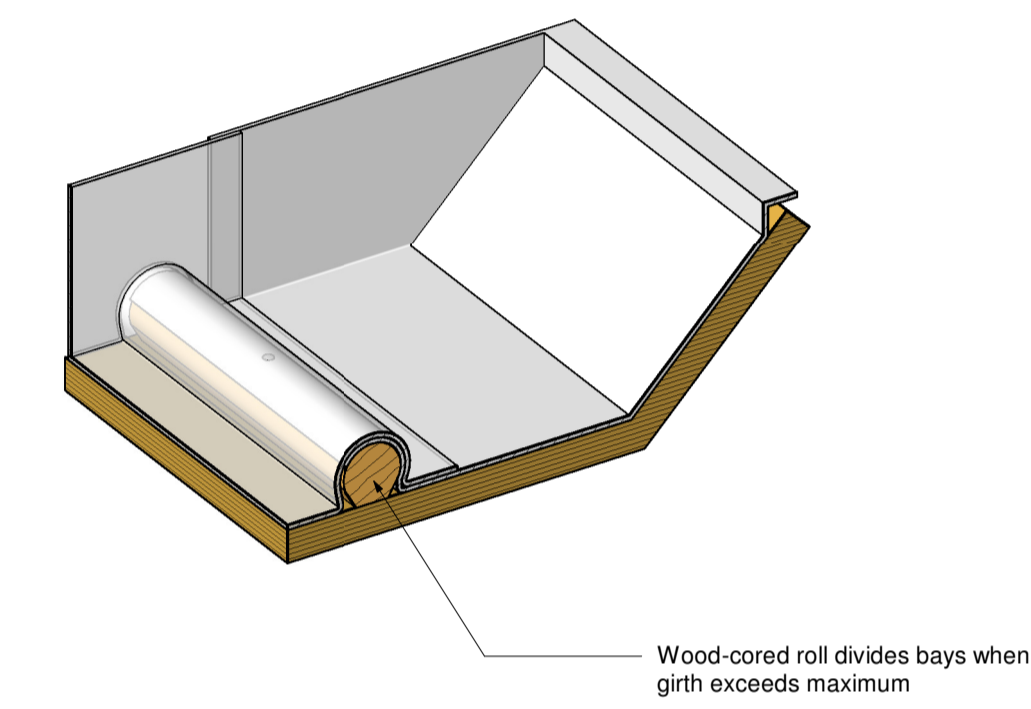
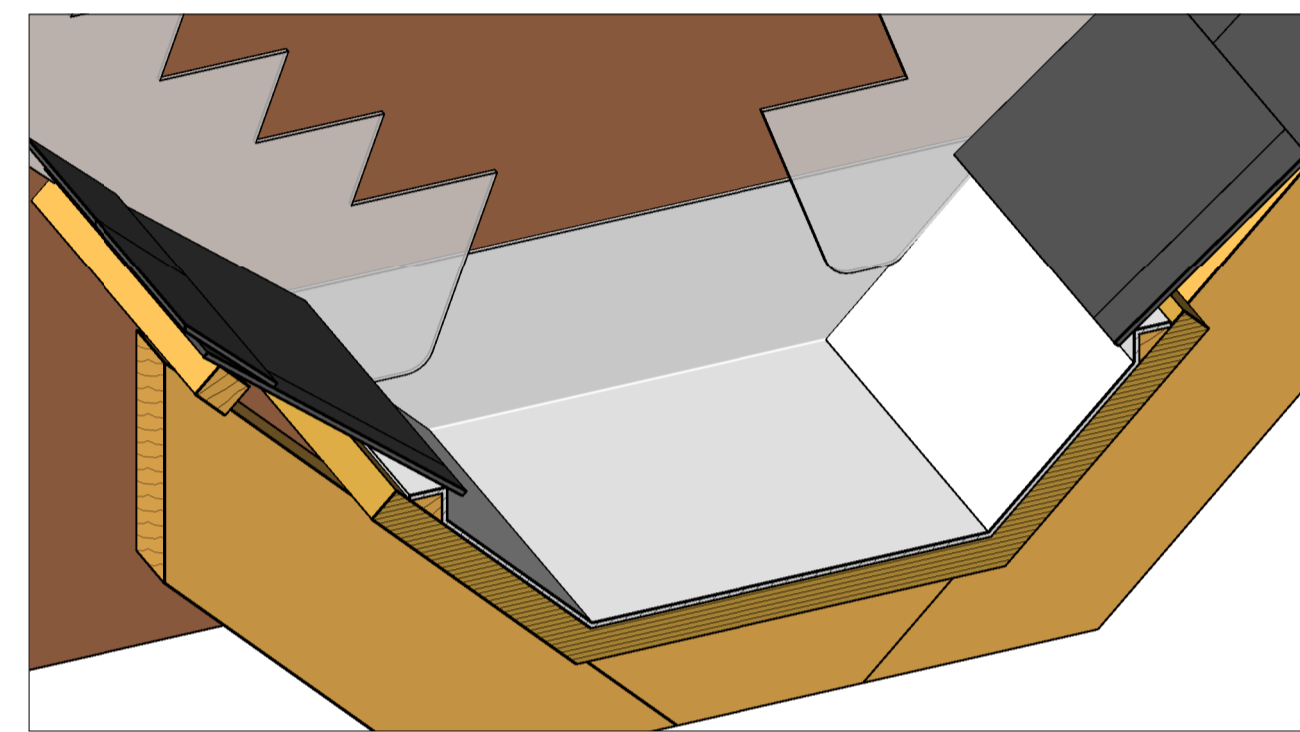
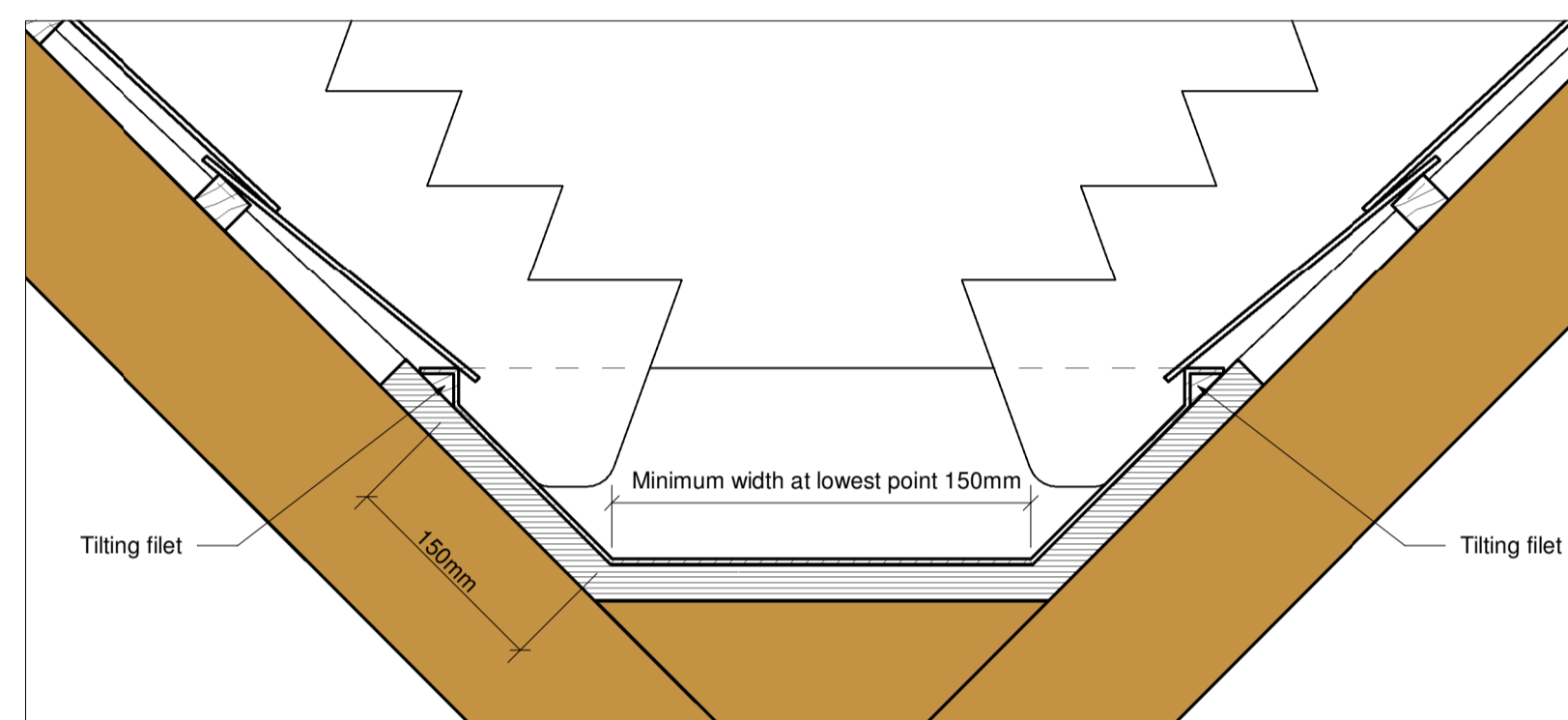
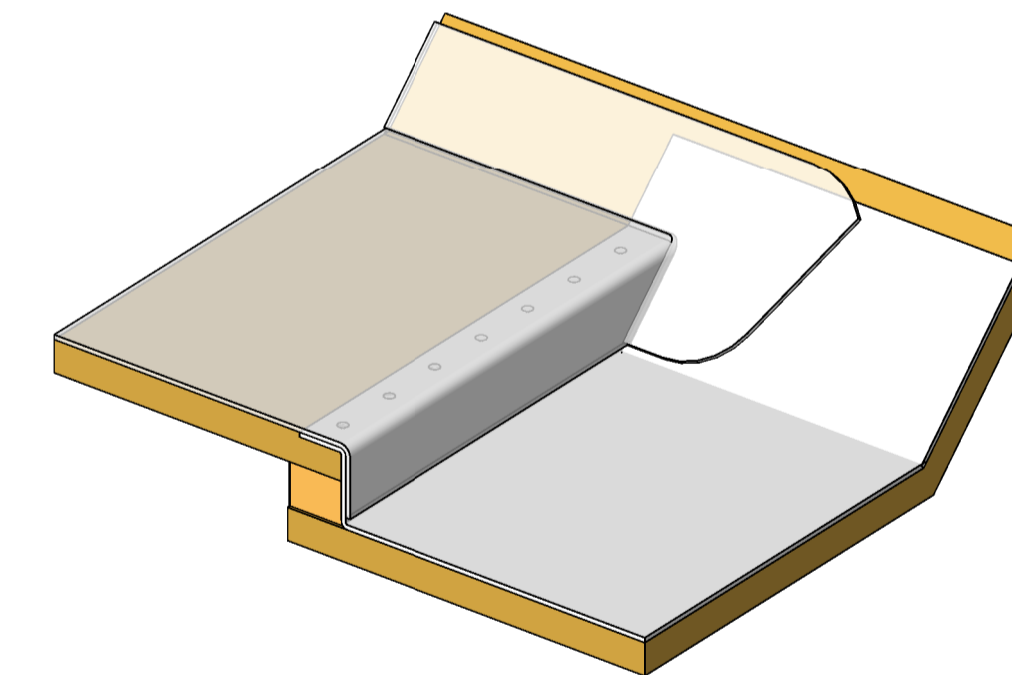
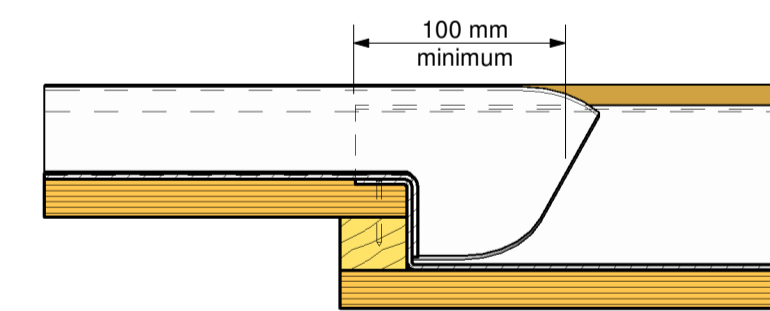
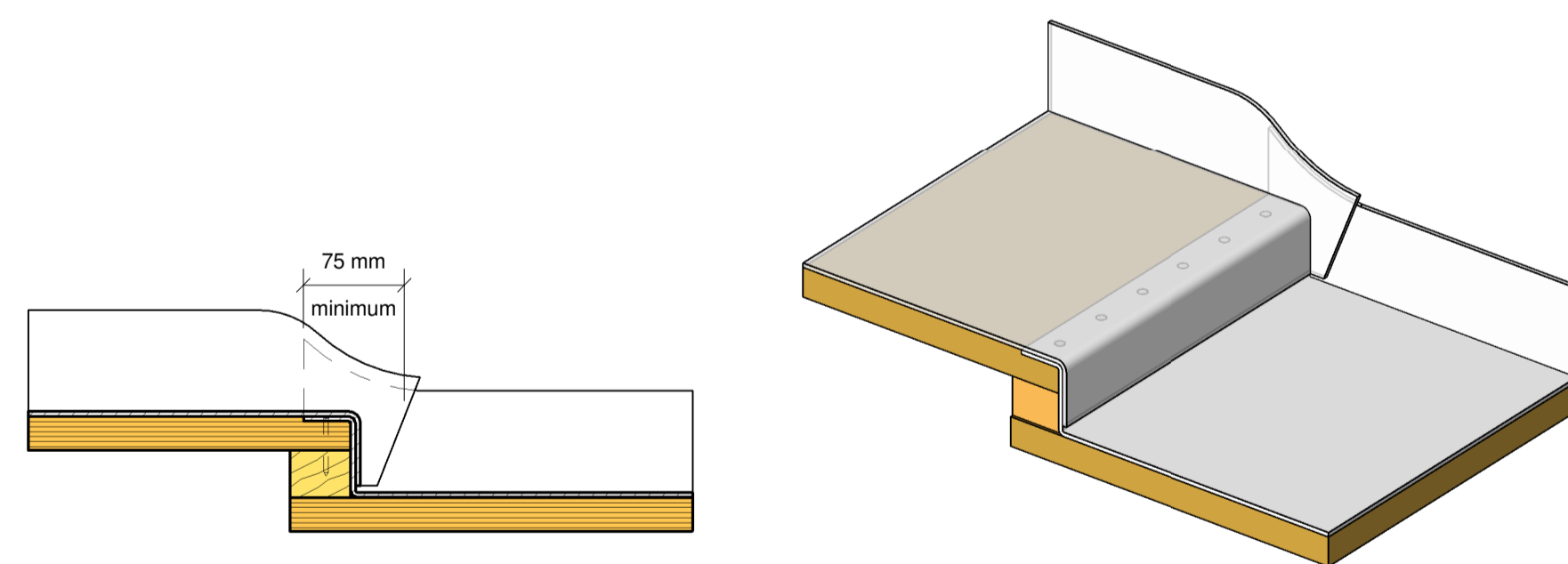


1 Parapet Gutter Detail
1 : 5

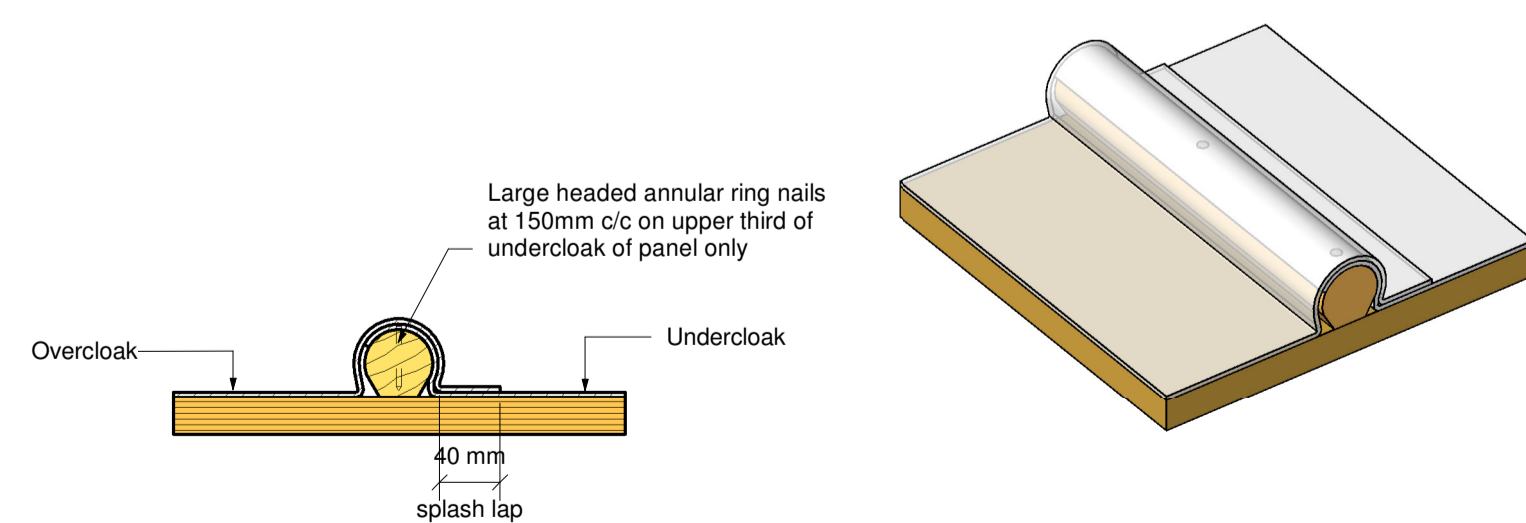


2 Tapered Gutter Detail
1 : 5



3 Parapet Gutter Drip Without Splash Laps
1 : 5

4 Tapered Gutter Drip Without Splash Laps
1 : 5



5 Wood Cored Roll with Splash Lap Detail
1 : 5

This drawing is the copyright of Barton Engineers & may not be copied, altered or reproduced in any way or passed to a third party without their written authority.

Preliminary
Not for Construction or Tending
Issues / Revisions
P1 Issued for Coordination 111016 WK

Barton Engineers
Studio 303, Westbourne Studios
242 Acklam Road, London W10 5JJ
telephone +44(0)20 7631 0348
mail@bartonengineers.co.uk
http://www.bartonengineers.co.uk

Project
27 Russell Square

Title
Lead Gutter Details

Scales
1:5

Designed by
Bob Barton
Drawn by
Waldemar Kurpias
Drawing number
15/137/2.3
Checked by
Bob Barton
Rev
P1