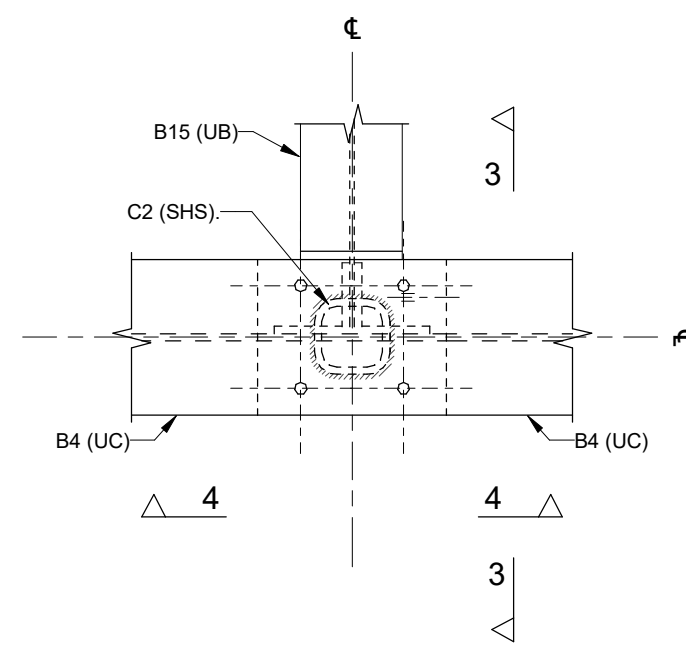
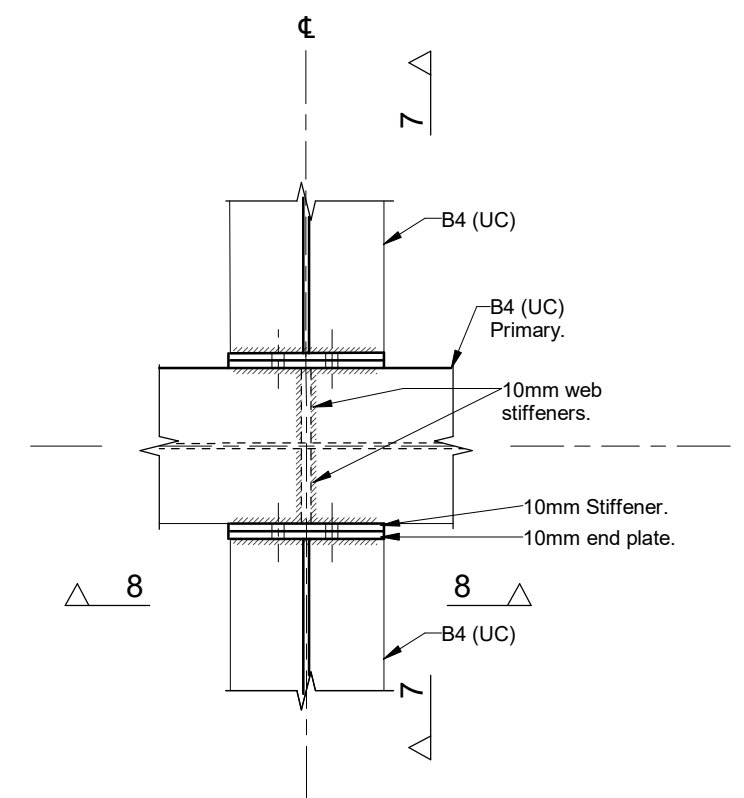


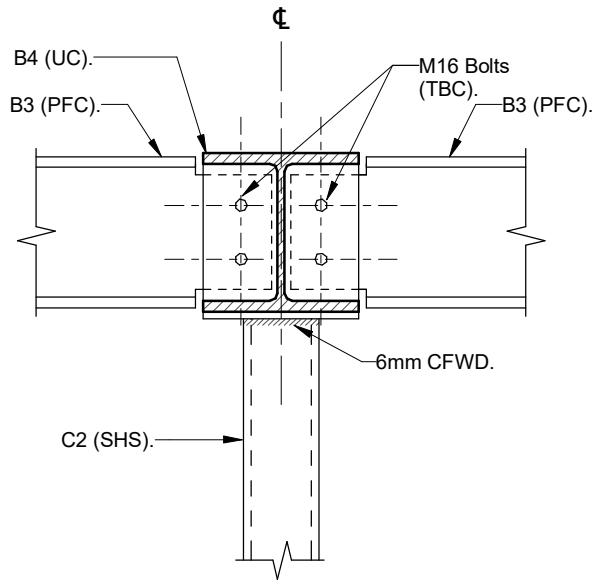
Detail 1: Mezzanine Post to Edge Beam Connection.
scale 1 : 10



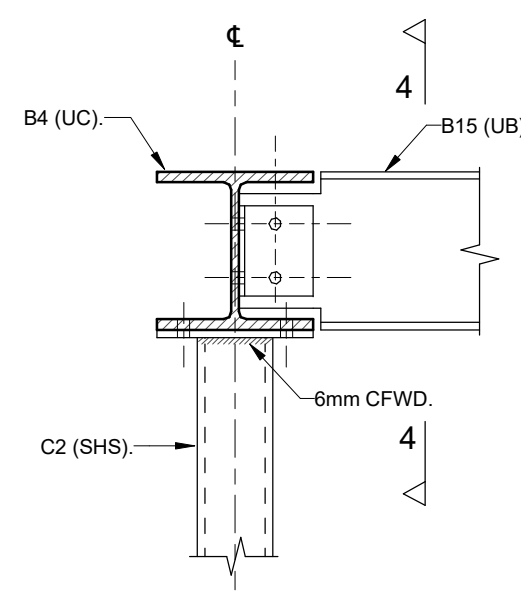
Detail 3: Mezzanine Post Adjacent to Stair Opening.
scale 1 : 10



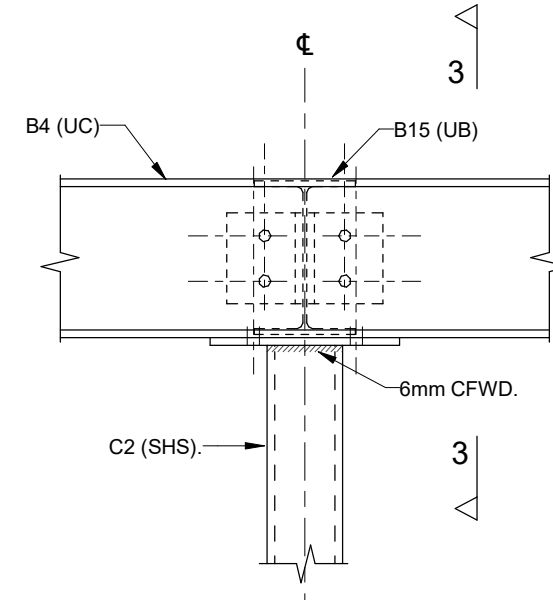
Detail 6: Mezzanine Internal Beam Connection
scale 1 : 10



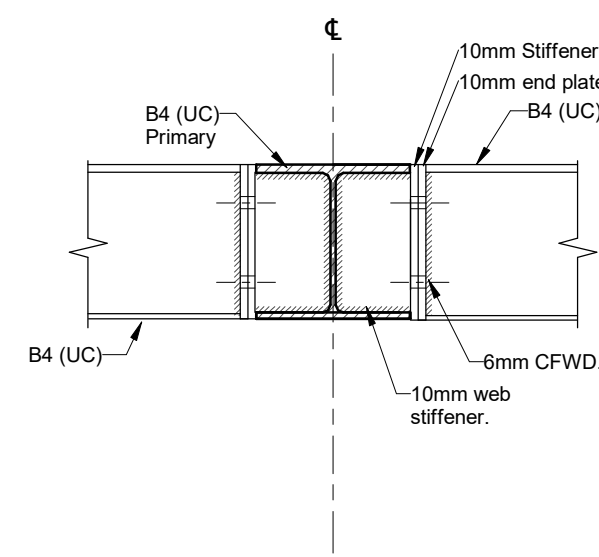
Section 2-2



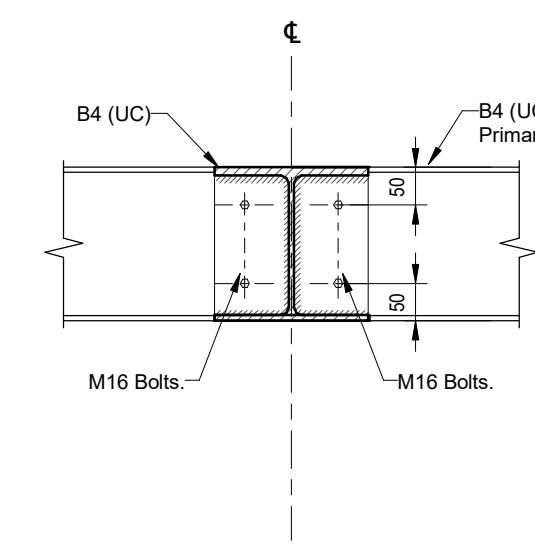
Section 4-4



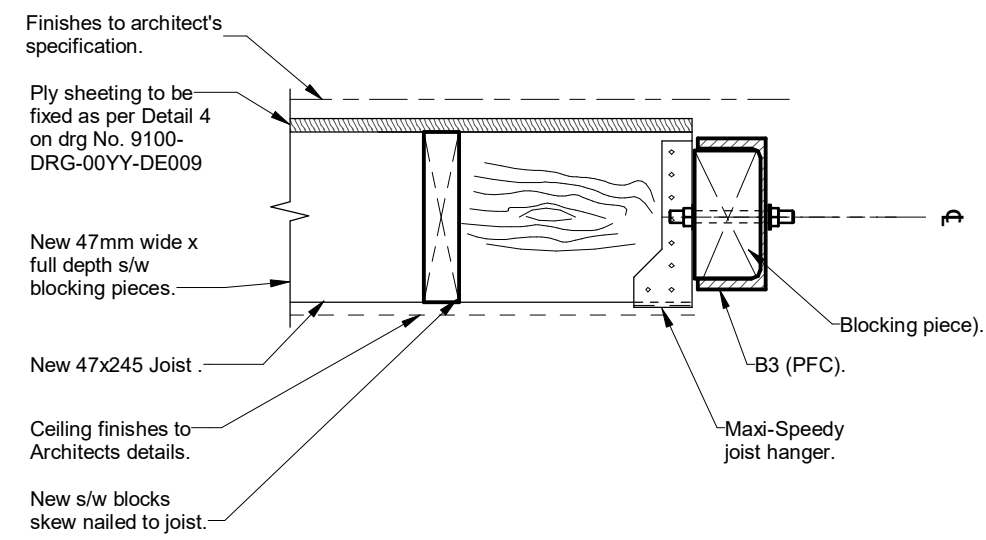
Section 5-5



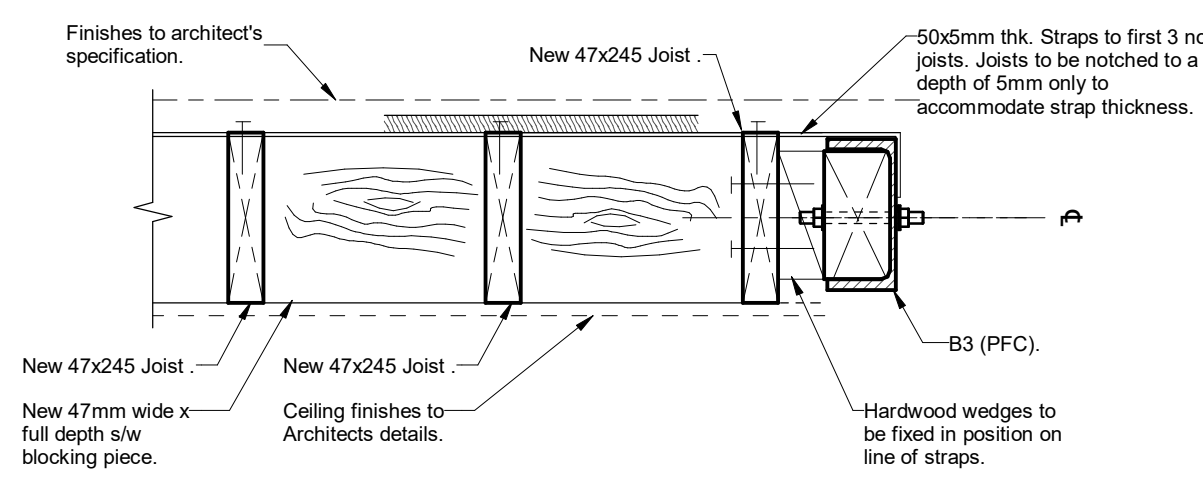
Section 7-7



Section 8-8



Detail 9: Mezzanine Deck Joists Support Off Channel (Joist Perpendicular to Steel)
scale 1 : 10



Detail 10: Mezzanine Floor Strapping Detail
scale 1 : 10

General Notes
1. Drawings shall be referred to for structural work only unless otherwise stated and read in conjunction with Architect's, Service Engineer's and Sub-Contractor's drawings.
2. The Contractor shall check all levels and dimensions, any errors or omissions are to be reported at once to the Engineer.

REV	DATE	DESCRIPTION	BY	CHKD
-	30.09.16	First Issue	DA	TP

PRELIMINARY



TITLE:
The Chapel Level UG Details

PROJECT:
Project No. 11581 Kidderpore Avenue

SCALE: A1@ 1:10 DATE: Sept '16 DRAWN: D.A. CHKD: T.P.

DRG NO. REV.

9100-DRG-00CH-UG001 -

Tully De'Ath consultants
Engineering at its Best

T: 01342 828 000
E: info@tullydeath.com
W: www.tullydeath.com