

Weather Performance

	Opening Lights	Fixed Lights
Water Tightness	Class 9A (600 pa)	Class 9A (600 pa)
Air Permeability	Class 3 (600 pa)	Class 3 (600 pa)
Wind Resistance	Class B5 (2000 pa)**	Class B5 (2000 pa)**

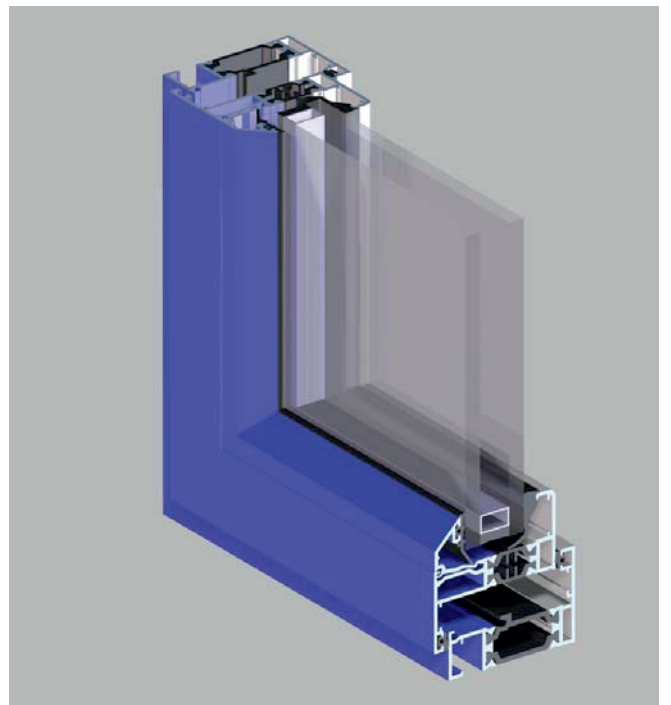
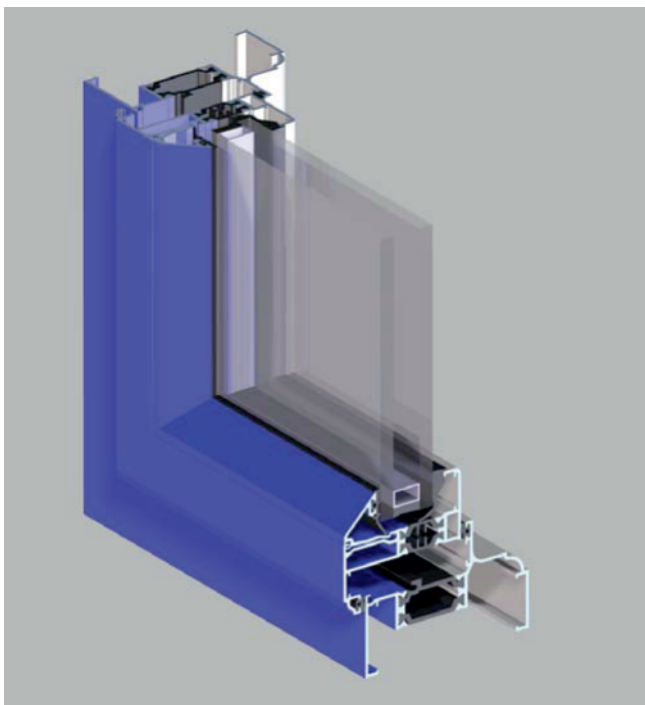
** Exposure category varies with width/height of the window and mullion/transom used. An accurate figure for wind load can be obtained using BS6399:Part 2 calculations and inertia values

Thermal Performance

- Crown windows can meet and surpass the area weighted average U values stipulated in Part L of the Building Regulations
- Lower U values can be achieved using double glazed units with enhanced thermal insulation, such as 'soft coat' low emissivity glass, argon gas filling and thermally broken spacer bars

Key Fabrication Benefits

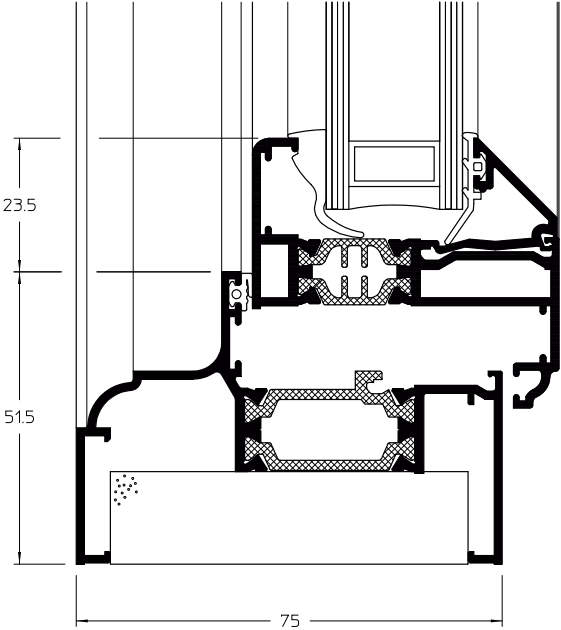
- All profiles are 5m bar length for improved optimisation
- Beaded glazing, with sealed unit thicknesses up to 32mm
- Single or dual colour finishes are available
- Frame members are mitre cut and joints are secured using aluminium corner cleats concealed in the frames



General Arrangements

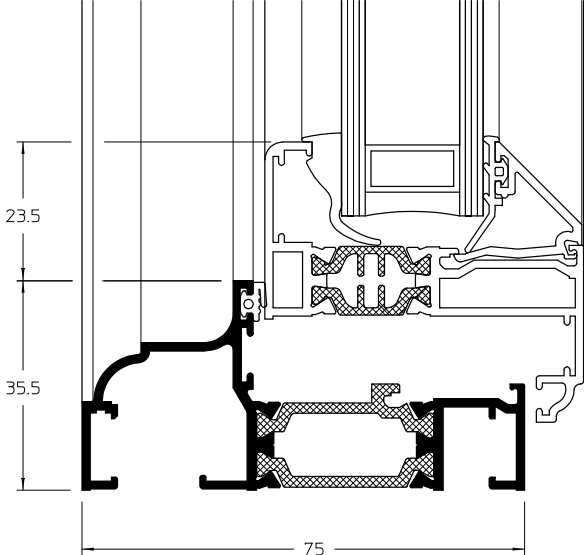
Cill

Showing softline outerframe and vent



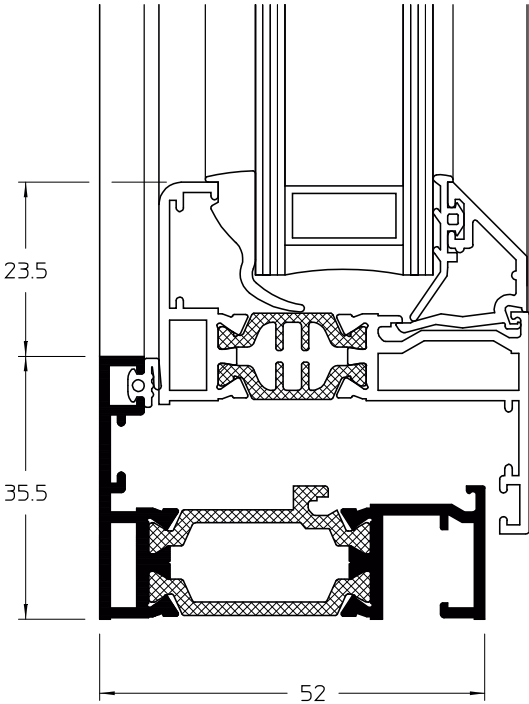
Cill

Showing alternative slim softline outerframe



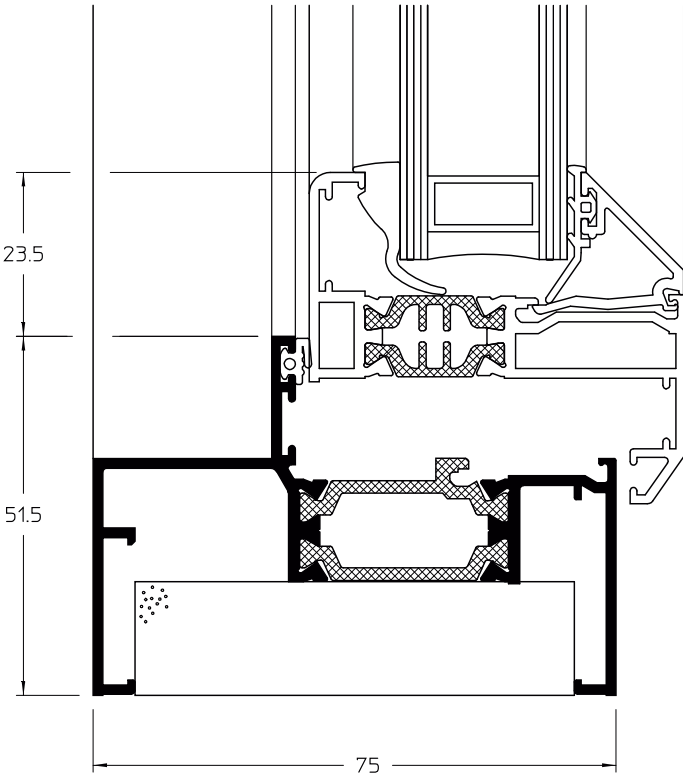
Cill

Showing alternative 52mm outerframe and flat vent 'steel replacement'



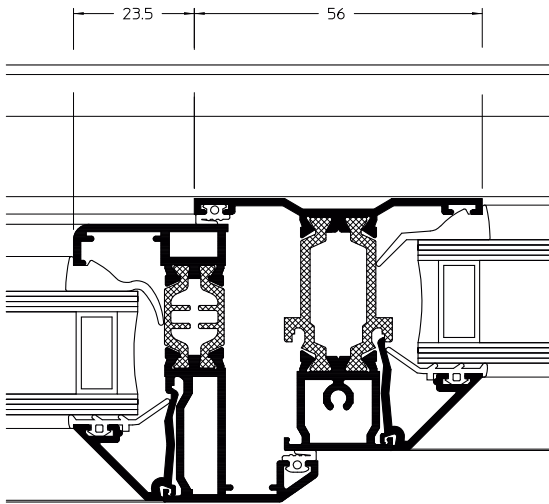
Cill

Showing square outerframe and chamfered vent



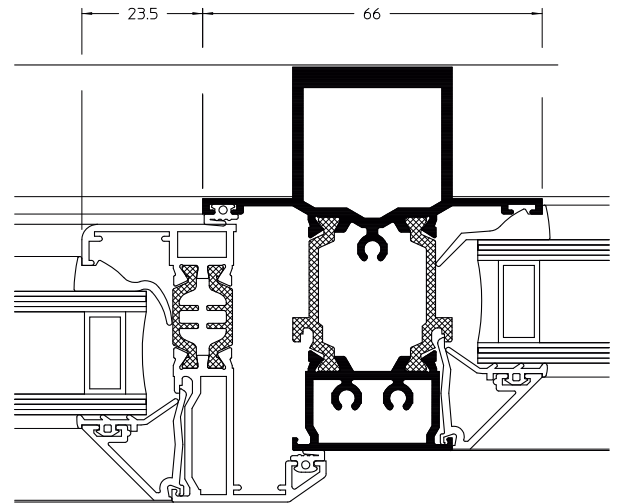
Mullion/Transom

Showing chamfered vent



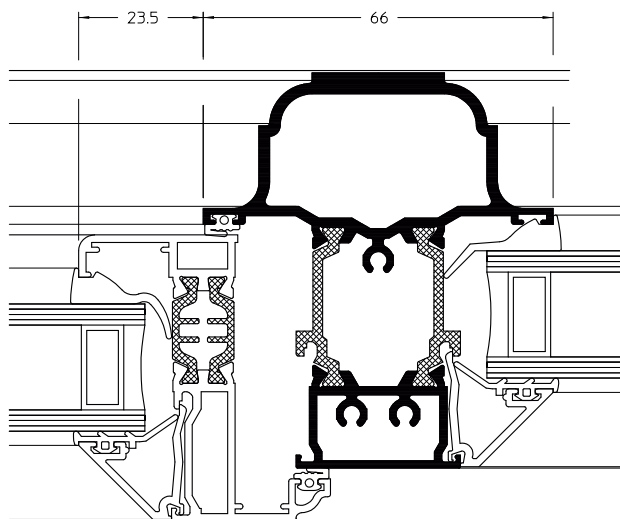
HD Square Mullion/Transom

Showing alternative heavy duty square mullion/transom



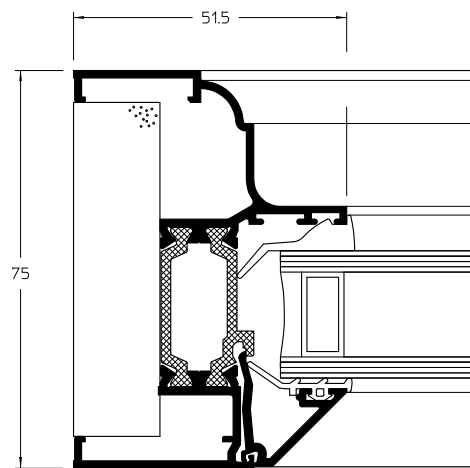
HD Softline Mullion/Transom

Showing alternative heavy duty square mullion/transom



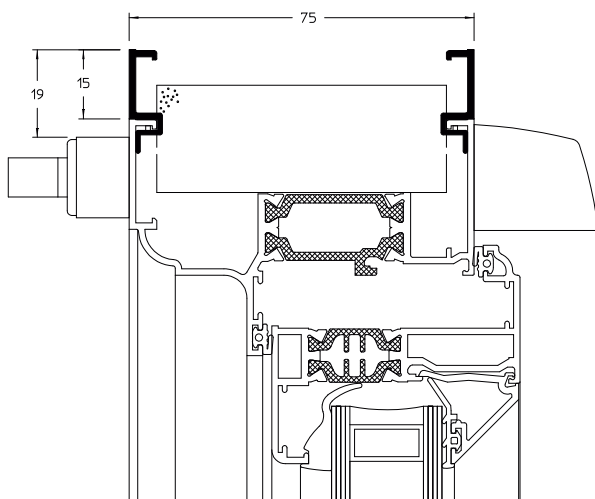
Fixed Light Jamb

Showing softline outerframe



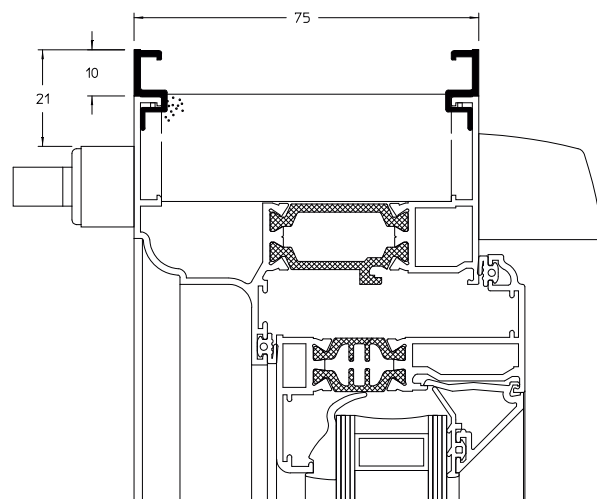
Head Vent

Showing optional trickle vent



Head Vent

Showing alternative slim square outerframe



Size Limitations

Maximum area 5 sq.m

Stay Size	8"	12"	16"
Max Width	436	636	736
Max Height	1336	1336	1336
Max Weight	18kg	22kg	24kg
Min Width	236	336	436
Min Height	386	386	386

Egress Stays should be limited to a minimum ventframe width of 55mm, to comply with the minimum clear opening requirements of Approved Document

Stay Size	6"	8"	10"	12"	16"	20"	24"
Max Width	1200	1200	1200	1200	1200	1200	1200
Max Height	336	386	436	586	816	1136	1336
Max Weight	10kg	12kg	16kg	20kg	21kg	26kg	40kg
Min Width	386	386	386	386	386	386	386
Min Height	200	236	311	386	536	736	886

All sizes given are in millimetres, all vent maximum and minimum sizes relate to the overall size of the vent frame and not the outerframe.