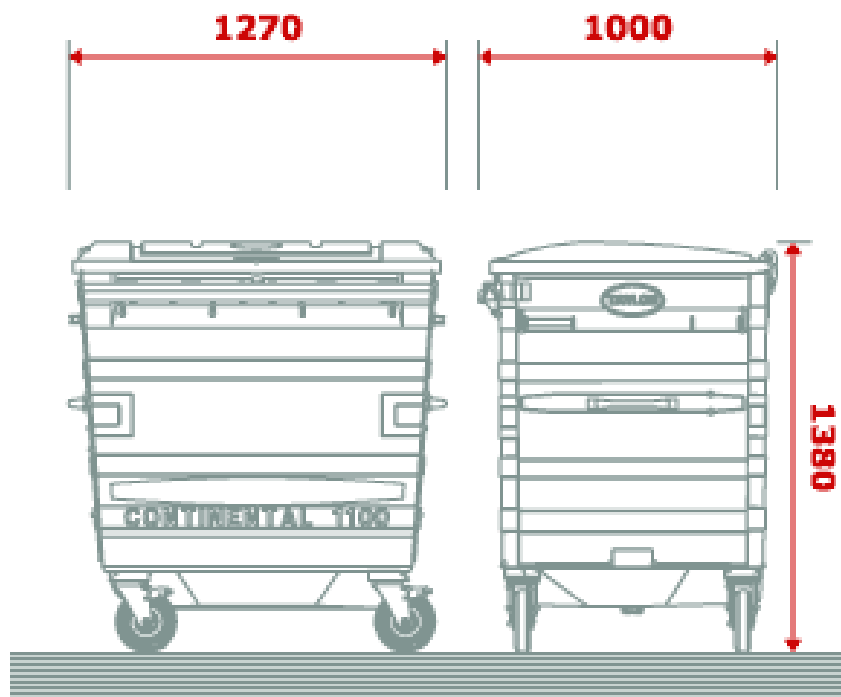


1100 Litre Eurobin



The Continental 1100 performed well in a fire test, which contained the fire within the body of the container, reducing the spread of the fire.

Powder coated hard wearing finish with Camden logo

Lid lock greatly reduces unauthorised access into container

Internally welded seams prevent possible corrosion which increase the lifespan of the container.