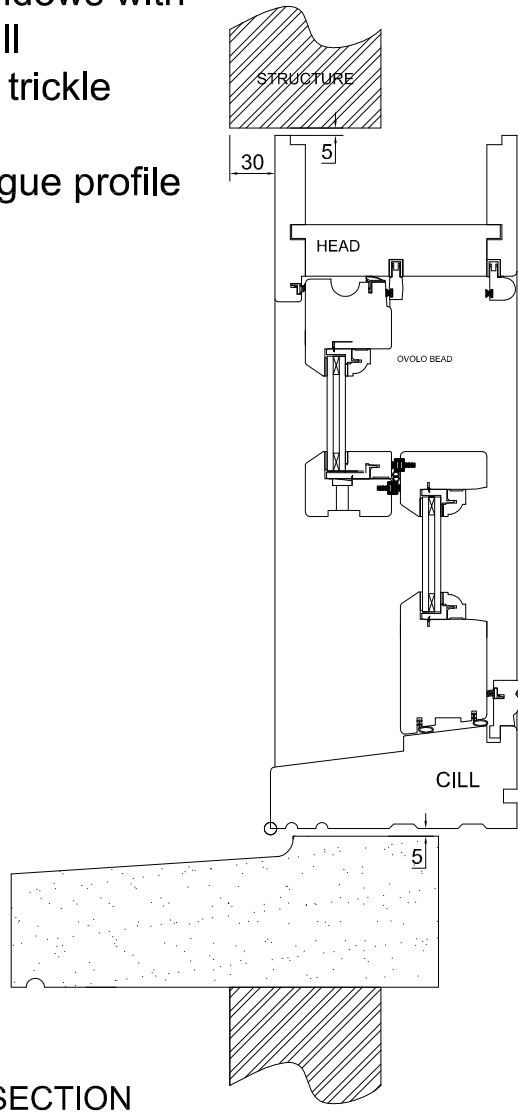


Note:

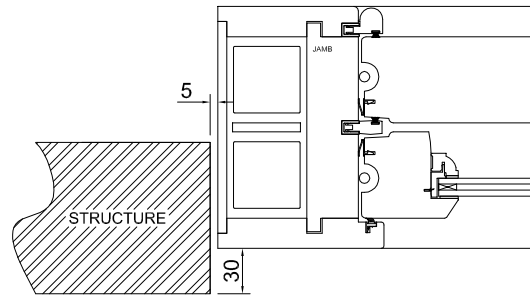
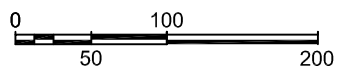
Conservation sash timber windows with 12mm double glazed units, cill extension to suit and integral trickle vents.

Glazing bars to be lambs tongue profile to match existing.



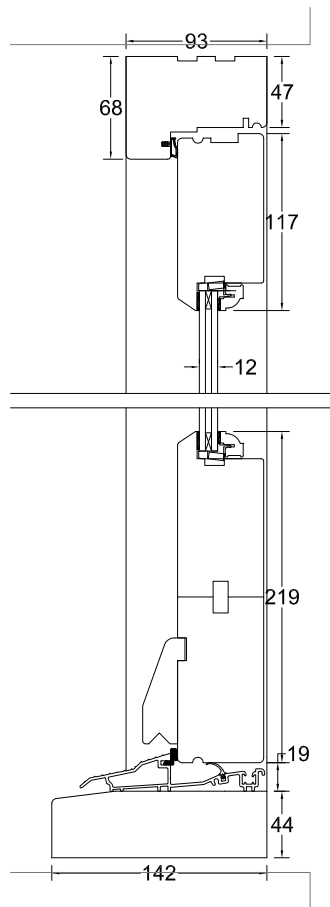
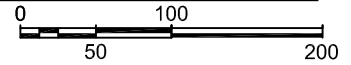
3A SASH WINDOW SECTION

SCALE 1:5



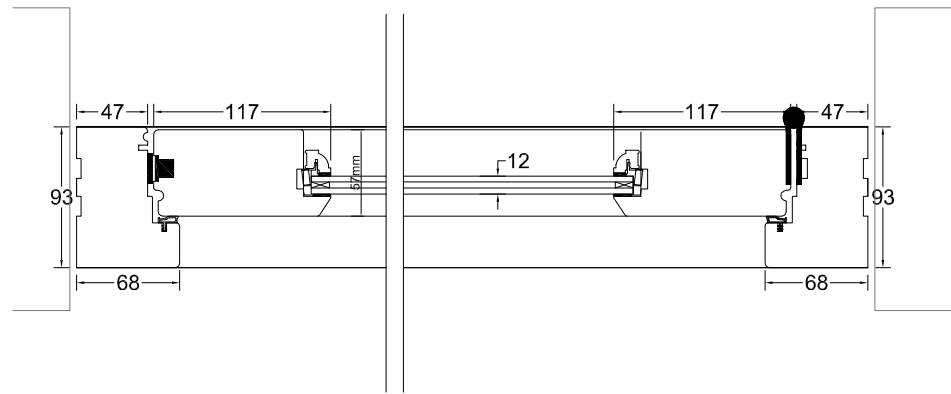
2C SASH WINDOW PLAN SECTION

SCALE 1:5



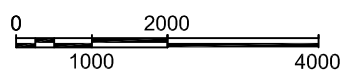
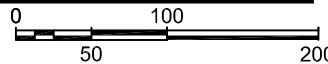
7A FRENCH DOOR SECTION

SCALE 1:5



6C FRENCH DOOR PLAN SECTION

SCALE 1:5



Koupparis Associates
0207 267 6909/6874

Drawing Title
Proposed Window
ans Door Details

Rev. Date Description Rev By Ckd By

Address
24 Camden Road,
London,
NW1 9DP

Client
Christ-and-Yioula Limited

Project Number
16-0175

Drawing Number

Scale
1:100@(A3)

Sheet No.

Date
04/10/16

16-175-09

Revised

Rev.

Status

-