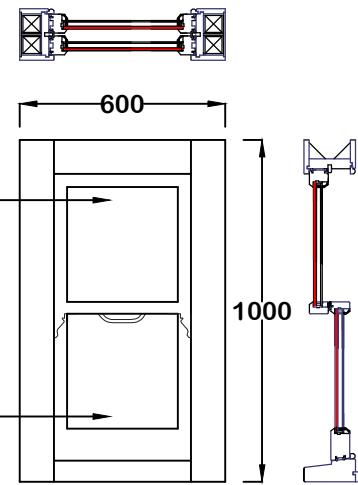
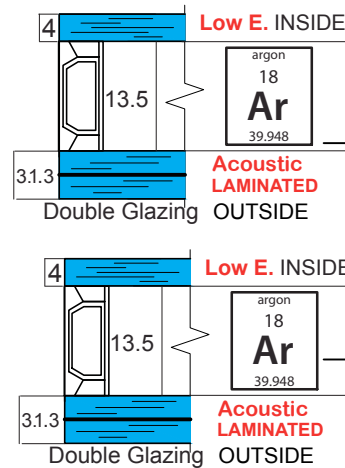
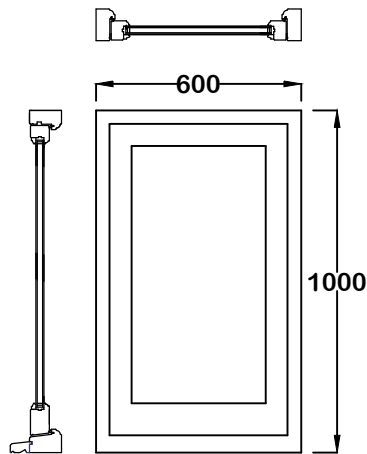


Kitchen - Side Window
Weights Loaded Timber Sash Window

Details:
SW02

Proposed Weights Loaded Timber Sash Window
Round Profile Design
Acoustic Laminated Double Glazing

Existing Casement Window



- Round Profile
- Internal Glazing

Paint Details:
TEKNOS **INSIDE:** CLEAN WHITE
Paint **2x TOPCOATS:** CLEAN WHITE
COATS 4X **OUTSIDE:** CLEAN WHITE
(inside/outside) **2x TOPCOATS:** CLEAN WHITE

Factory Notes:

Fitting Notes:

Reference: Sash window Full Box | Project: Flat 4, 23 King Henrys Road NW3 3QP | Client: Mathew Ashton | * All Dimensions in millimeters unless otherwise stated | SCALE: 1:20@A4

Fittings: POLISHED BRASS

Timber:
Engineered
NORDIC
PINE
Profile: 52 mm



Hardwood
OAK sill
Sill: 68mm
150mm

Horns:
outside facing down
inside facing up

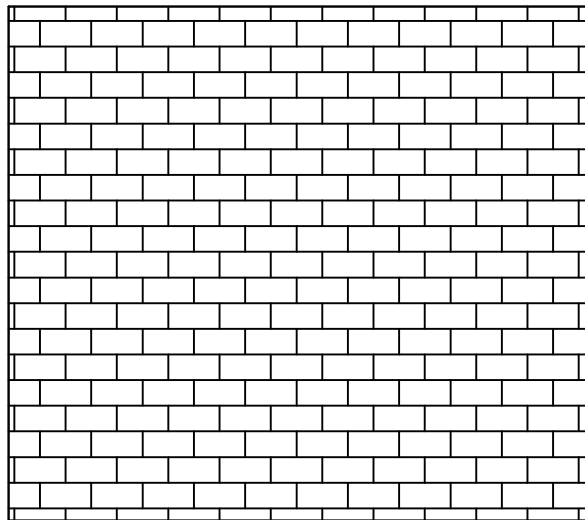


Kitchen - New Window to Rear Timber Casement Window

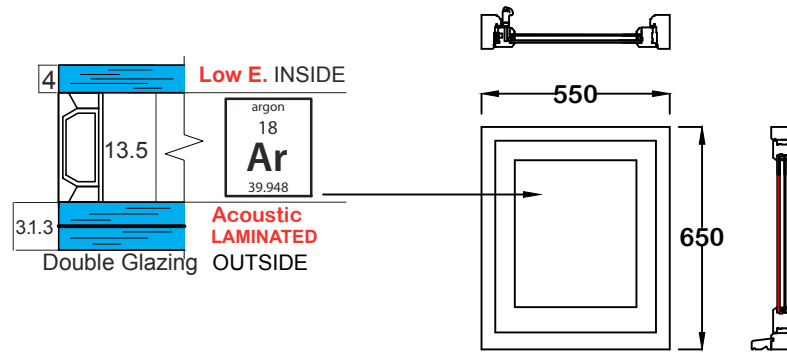
Details:

SW03

Existing Wall (No Window)



Proposed Timber Casement Window Round Profile Design Acoustic Laminated Double Glazing



- Round Profile
- Internal Glazing

Paint Details:

TEKNOS Paint	INSIDE:	CLEAN WHITE
	2x TOPCOATS:	CLEAN WHITE
COATS 4X (inside/ outside)	OUTSIDE:	CLEAN WHITE
	2x TOPCOATS:	CLEAN WHITE

Notes:
Fitting
Factory

Fittings: POLISHED BRASS

Reference: Casement W.	Project Flat 4, 23 King Henrys Road NW3 3QP	Client Mathew Ashton	* All Dimensions in millimeters unless otherwise stated	SCALE 1:20@A4
---------------------------	---	-------------------------	--	------------------

Timber:
Engineered
NORDIC
PINE
Profile: 56 mm



Multipoint
Locking
System



Friction Hinges
Egress

Tokyo
(cranked)
Handle
1x Left
Handed

