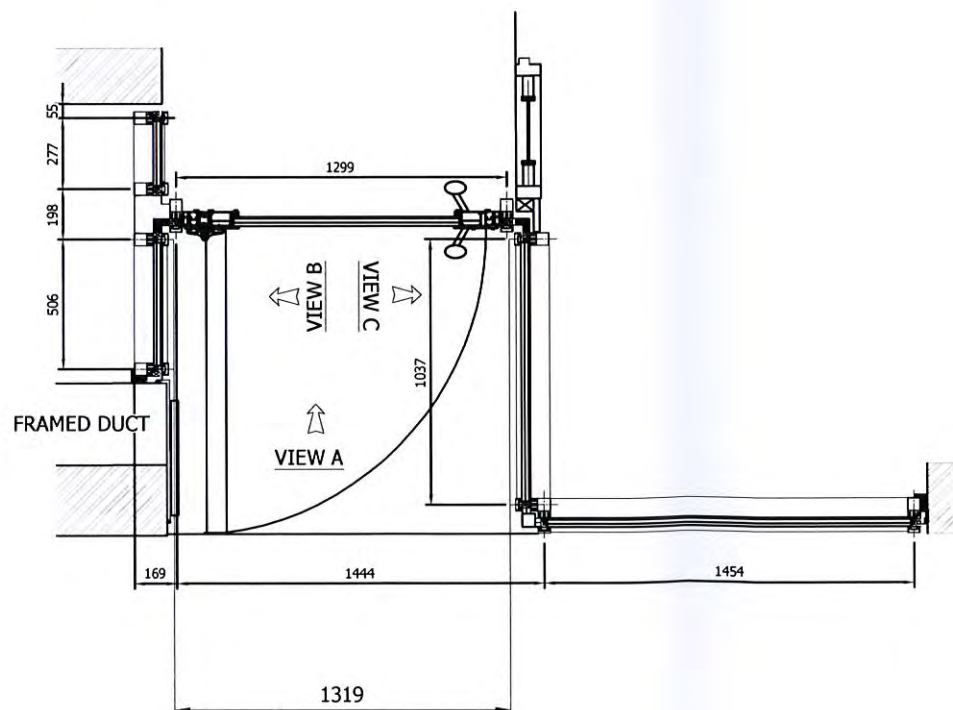


DOOR GLASS GRAPHICS



ALL SIZES TBC ON SITE PRIOR TO MANUFACTURE

Notes :

NOTES

SYSTEM
 SCHUCO FW50+ HI CURTAIN
 WALL PPC RAL ZGP TREND 8
 9016
 65mm MULLION
 15mm TRANSON CAP, 20mm
 MULLION CAP
 PRESSING PPC RAL ZGP TREND 8
 9016

SCHUCO ADS65 HD DOOR WITH
 ANTIFINGER TRAP, MAG
 LOCK(BY OTHERS), AND KEY
 OPERATED DEAD LOCK WITH
 EURO PROFILE CYLINDER
 WITHOUT LATCH.
 CRANKED D HANDLES BY
 OTHERS, FACE FIXED HINGES
 AND CONCEALED CLOSERS
 DOOR LEAF TO BE IGP
 HELLEGRAU TYPE 23

GLASS SPEC
 13.5mm ULTRA CLEAR LAM HS
 SUN GUARD SNX60/28 WITH
 INTERLAYER PVB
 16mm STEEL SPACER WITH
 ARON FILL
 10mm TOUGHENED HST ULTRA
 CLEAR GROUND EDGE WITH
 (WHITE FRIT TO PANES LABELED
 TRANSLUCENT)

VENT TO BE BOTTOM HUNG
 MOUNTED ON BUTT HINGES
 WITH SPRING LOADED CATCH
 OPERATED BY POLE

02	GLASS AND HANDLE AMENDED	19.09.16
01	REV TO COMMENTS	30.07.16
00	FIRST ISSUE	19.06.16

Drawing Status: APPROVAL

Client: ROOFF CONSTRUCTION
 Architect: ANDRIS BERZINS + ASSOCIATES
 Project: THE MULBERRY HOUSE SCHOOL
 Title: MAN ENTRANCE SCREEN
 Scale: 1:30

ClearLine
 Rawson Spring Way
 Shefford
 SG11 1PQ
 United Kingdom
 Visit www.clearline.co.uk
 Telephone 0144 01114 231 5044
 Fax 0144 01114 251 7375
 Email enquiries@clearline.co.uk



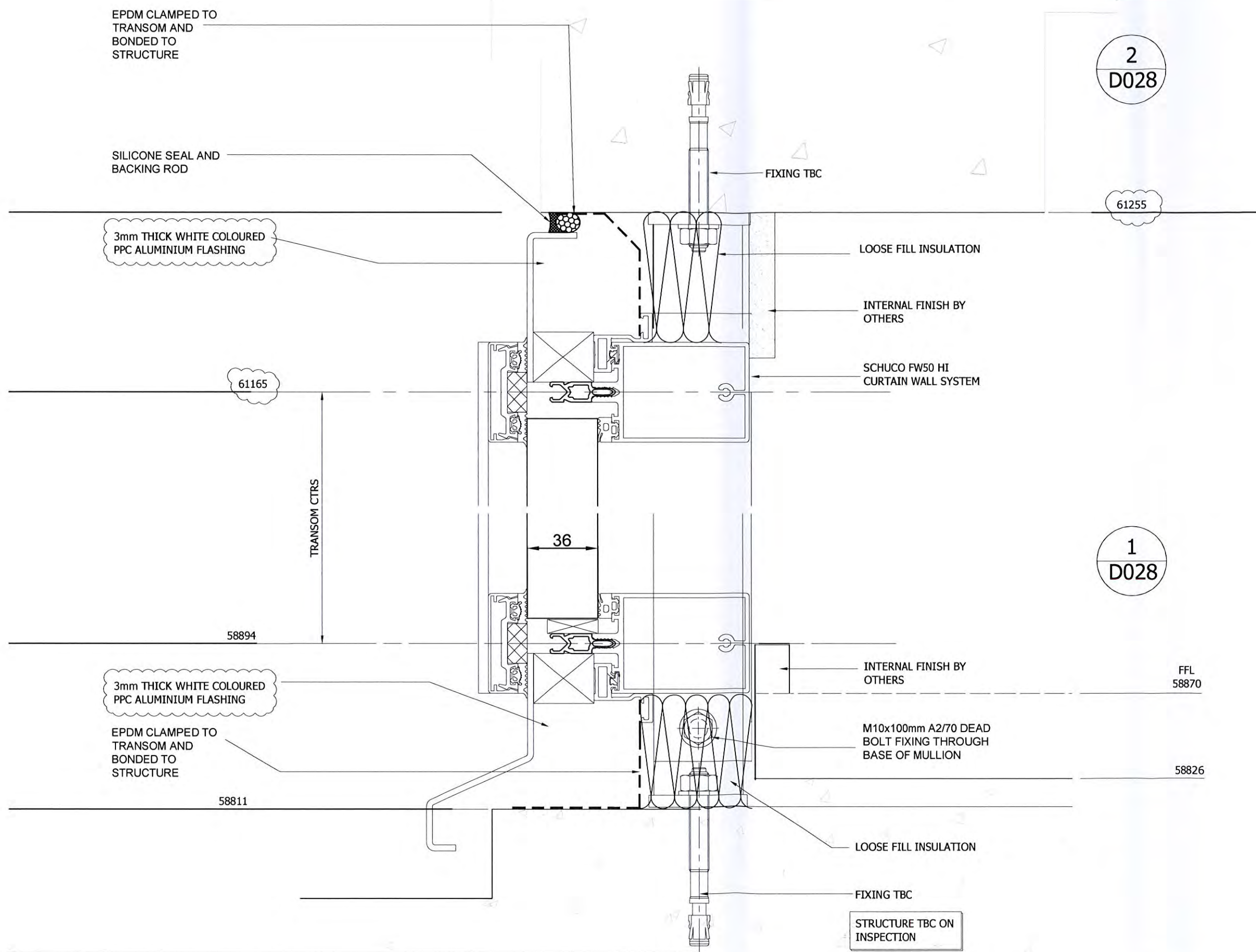
Job No:	Date:	Drawn By:
M1889	11.07.16	CDB
Drawing No: E008		
Revision:	00	01

Notes :

2
D028

61255

1
D028



02	GLASS AMENDED	19.09.16
01	REV TO COMMENTS	30.07.16
00	FIRST ISSUE	12.07.16

Drawing Status: CONSTRUCTION
Client: ROOFTOP CONSTRUCTION
Architect: ANDRIS BERZINS + ASSOCIATES
Project: THE MULBERRY HOUSE SCHOOL
Title: CURTAIN WALL BASE DETAIL
Scale: 1:2

ClearLine
 Reuxton Spring Way
 Sheffville
 SS12 0G
 United Kingdom
 Visit: www.clearline.co.uk
 Telephone: 0844 0114 231 5444
 Fax: 0844 0114 201 7375
 E: marketing@clearline.co.uk



Job No:	Date:	Drawn By:
M1889	12.07.16	CDB

Drawing No: D028
Revision: 00 01 02

EPDM CLAMPED TO TRANSOM AND BONDED TO STRUCTURE

SILICONE SEAL AND BACKING ROD

3mm THICK WHITE COLOURED PPC ALUMINIUM FLASHING

FIXING TBC

INTERNAL FINISHES BY OTHERS

SCHUCO FW50 HI CURTAIN WALL SYSTEM

TRANSOM CTRS

361130

394430

362140-HI

184040

2
D029

1
D029

167130

184040

FFL
58870

58840

Notes :

02	GLASS SIZE AMENDED	19.09.16
01	REV TO COMMENTS	30.07.16
00	FIRST ISSUE	12.07.16

Drawing Status: CONSTRUCTION

Client: ROOFTOP CONSTRUCTION

Architect: ANDRIS BERZINS + ASSOCIATES

Project: THE MULBERRY HOUSE SCHOOL

Title: CURTAIN WALL DOOR DETAILS

Scale: 1:2

Clear Line
Ruisson Spring Way
Safford
S6 1PQ
United Kingdom
VAT: www.clearline.co.uk
Telephone: 0544 21114 251 5444
Fax: 0544 21114 251 7375
Email: enquiries@clearline.co.uk



Job No:	Date:	Drawn By:
M1889	12.07.16	CDB
Drawing No: D029		
Revision:	00	01 02

Notes :

1
D030

2
D030

3
D030

3mm THICK WHITE COLOURED
PPC ALUMINIUM PANEL FILLED
WITH INSULATION

3mm THICK WHITE COLOURED
PPC ALUMINIUM PANEL FILLED
WITH INSULATION

EXISTING STRUCTURE

ART WORK CLEAR AND
TRANSLUCENT GLASS

HANDLES T.B.C. BY OTHERS

CLEAR GLASS

CLEAR GLASS

TRANSLUCENT GLASS

MULLION CTRS

MULLION CTRS

02	GLASS AMENDED	19.09.16
01	REV TO COMMENTS	30.07.16
00	FIRST ISSUE	12.07.16

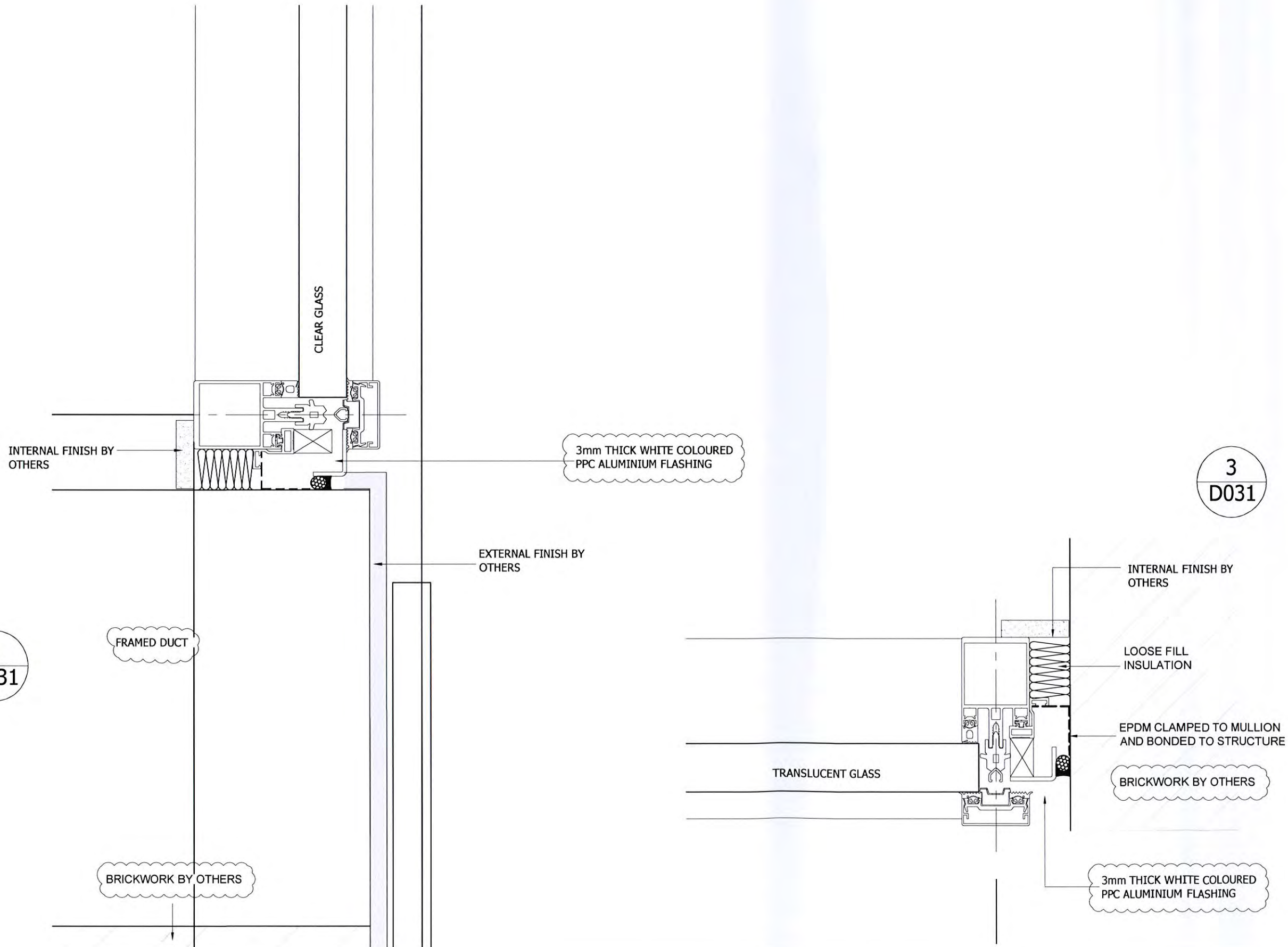
Drawing Status: CONSTRUCTION
 Client: ROOFTOP CONSTRUCTION
 Architect: ANDRIS BERZINS + ASSOCIATES
 Project: THE MULBERRY HOUSE SCHOOL
 Title: CURTAIN WALL DOOR DETAILS
 Scale: 1:2

Clear Line
 Ryeon Spring Way
 Suffolk
 IP5 1PD
 United Kingdom
 Visit www.clearline.co.uk
 Telephone 0544 3114231-0444
 Fax 0544 3114231-7375
 Email enquiries@clearline.co.uk



Job No:	Date:	Drawn By:
M1889	12.07.16	CDB
Drawing No: D030		
Revision:	00	01 02

Notes :



1
D031

3
D031

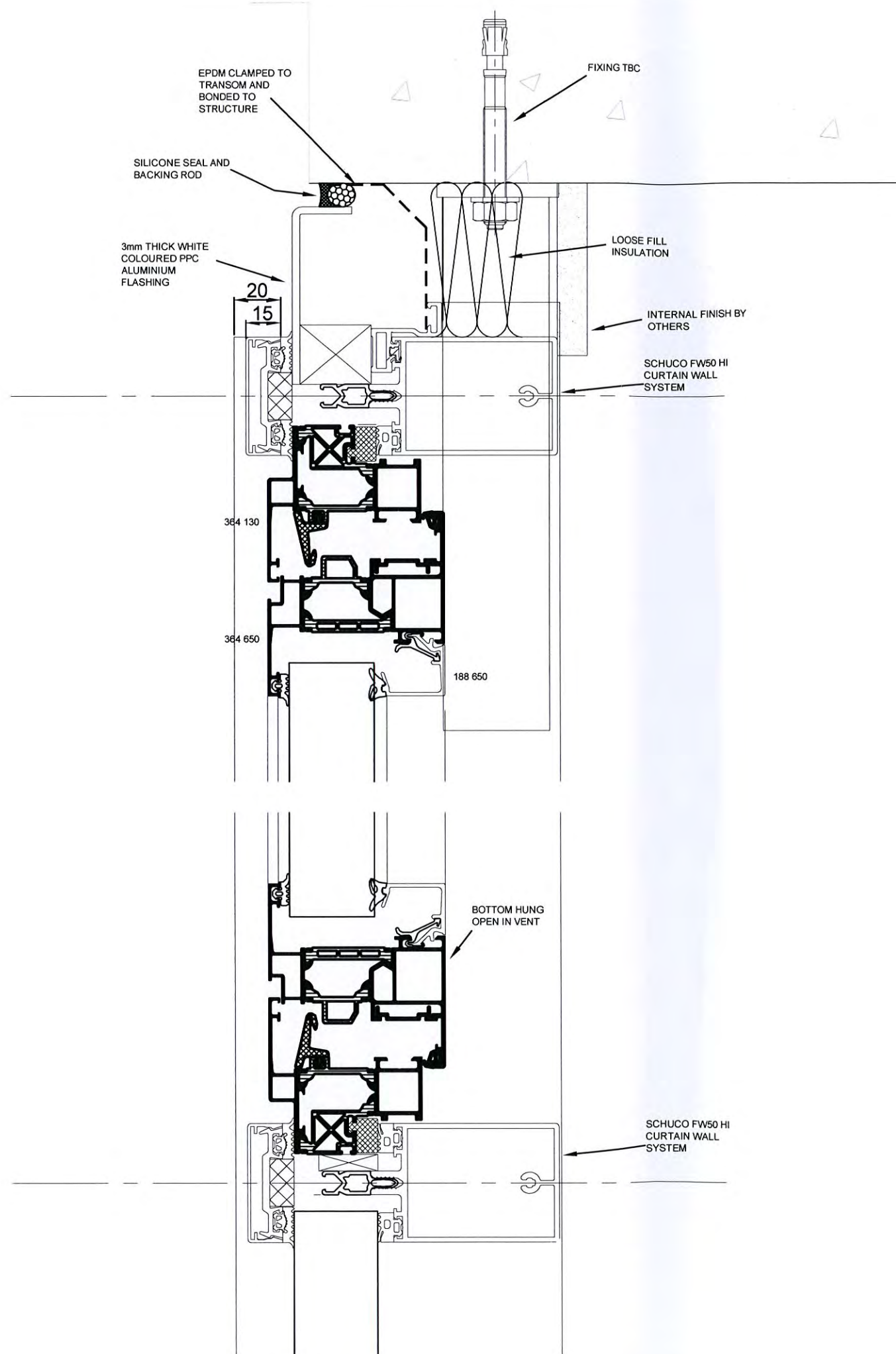
02	GLASS AMENDED	19.09.16
01	REV TO COMMENTS	30.07.16
00	FIRST ISSUE	12.07.16

Drawing Status: CONSTRUCTION
Client: ROOFF CONSTRUCTION
Architect: ANDRIS BERZINS + ASSOCIATES
Project: THE MULBERRY HOUSE SCHOOL
Title: CURTAIN WALL JAMB DETAILS
Scale: 1:2


ClearLine
 Rayson Spring Way
 South
 26 192
 United Kingdom
 Visit www.clearline.co.uk
 Telephone 0844 2114 231 5444
 Fax 0044 (0)114 251 7375
 Email enquiries@clearline.co.uk



Job No:	Date:	Drawn By:
M1889	12.07.16	CDB
Drawing No: D031		
Revision:	00	01 02



Notes :

00	FIRST ISSUE	29.09.16
Drawing Status: CONSTRUCTION		
Client: ROOFTOP CONSTRUCTION		
Architect: ANDRIS BERZINS + ASSOCIATES		
Project: THE MULBERRY HOUSE SCHOOL		
Title: MAIN ENTRANCE VENT SECTION		
Scale: N.T.S.		
ClearLine Ravenhill Spring Way Sheffield S6 1PG United Kingdom Visit: www.clearline.co.uk Telephone: 0344 3 112 231 5444 Fax: 0344 3 112 231 7376 Email: enquiries@clearline.co.uk		
Job No:	Date:	Drawn By:
M1889	291.09.16	DJB
Drawing No: D038		
Revision:	00	