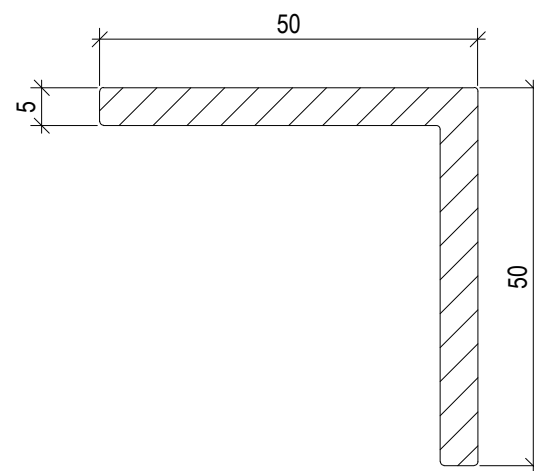
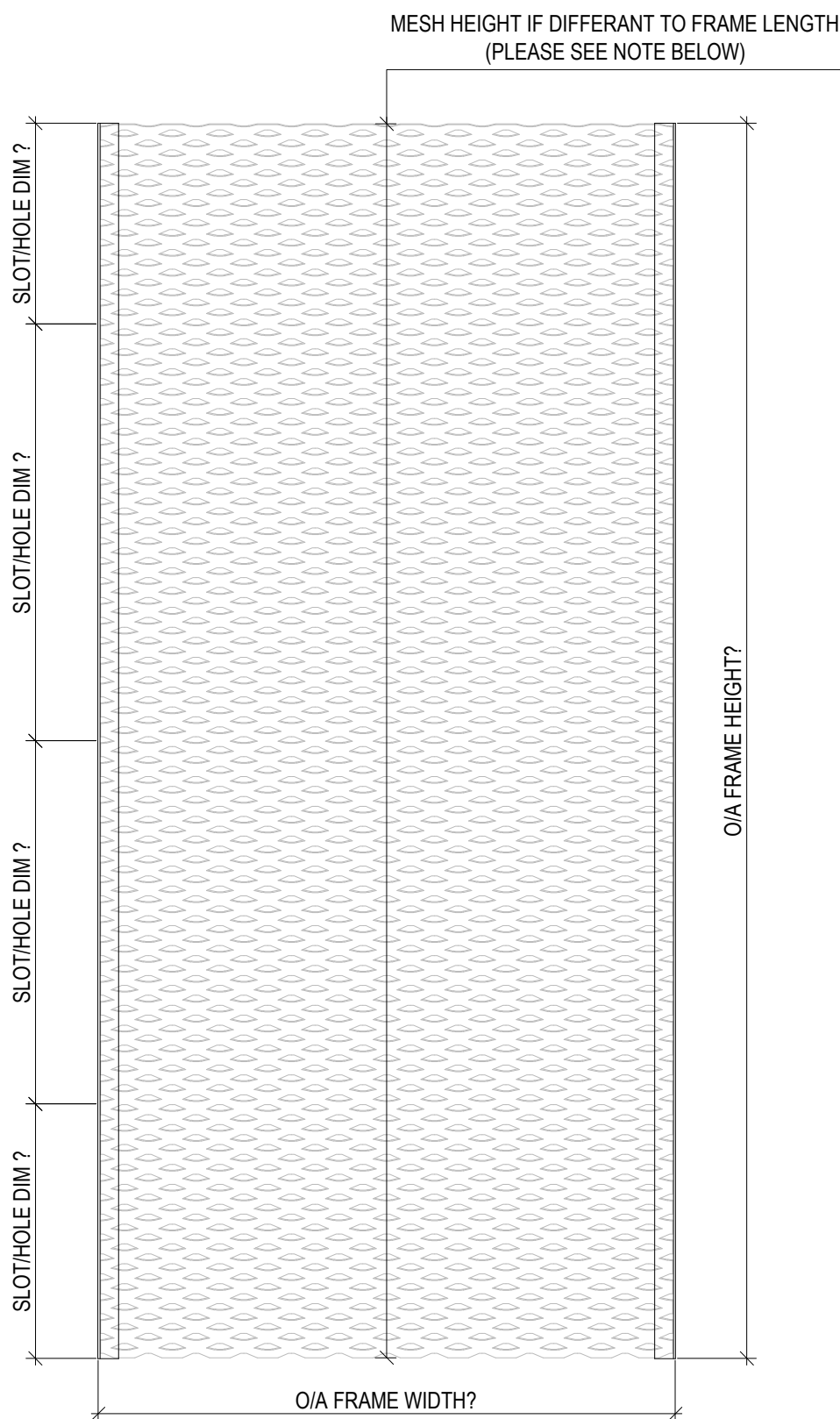


TYPICAL EXTERNAL CLADDING PANEL

PANEL REFERENCE:	
QUANTITY REQUIRED:	No

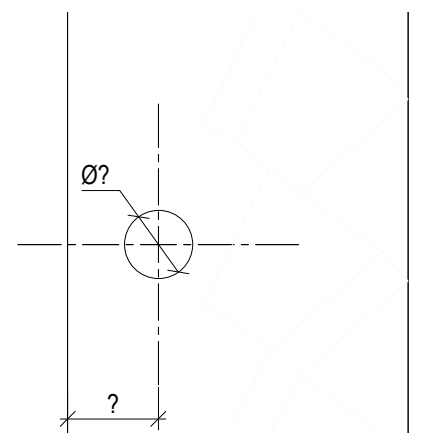


DIMENSIONS TO SLOT/HOLE CENTRE LINE.

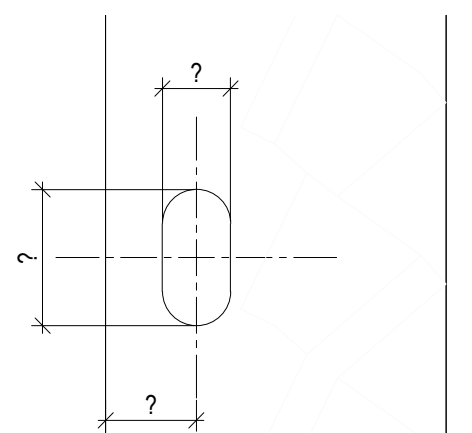


FRAME PANEL DETAIL

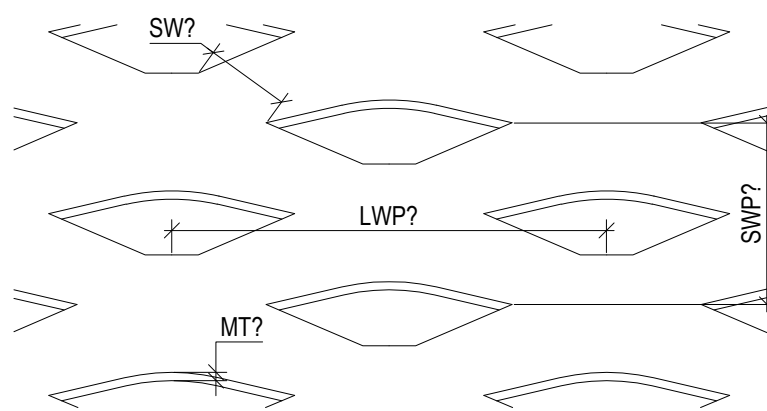
FRAMING ANGLE



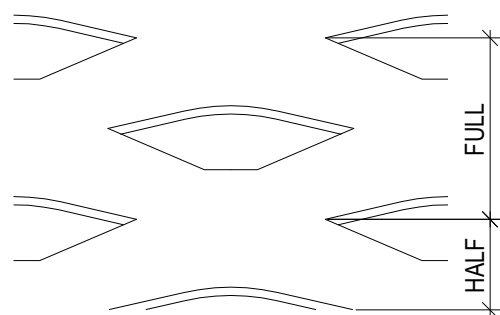
HOLE DETAIL



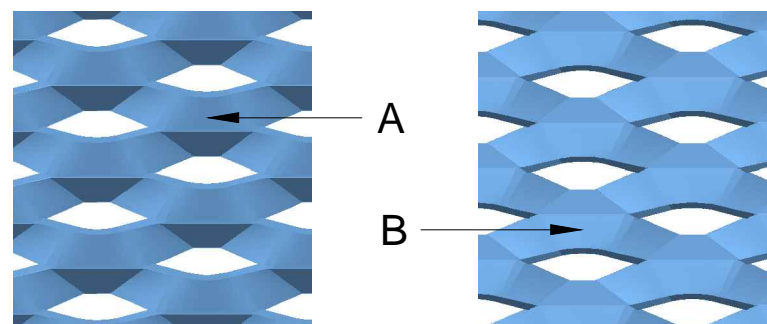
SLOT DETAIL



MESH TYPE



MESH HEIGHT SHOULD IDEALLY BE A FULL MULTIPLE OF THE SHORTWAYS PITCH DIMENSION (HOWEVER IF REQUIRED THE MESH CAN FINISH ON A 'HALF' SHORTWAYS PITCH).



MESH ORIENTATION PLEASE CONFIRM A OR B