

HE30

GASCO.AL91 CO2 2MSD EC M2 SV HL2MSD-QXACA

Design data

Fluid	R744
Capacity	73,50 kW
Ambient	36 °C
CO2 Inlet temp	115 °C
CO2 Outlet temp	38 °C
CO2 Pressure	97 bar
Altitude	0 m
Fin treatment	VINYL

Fan data

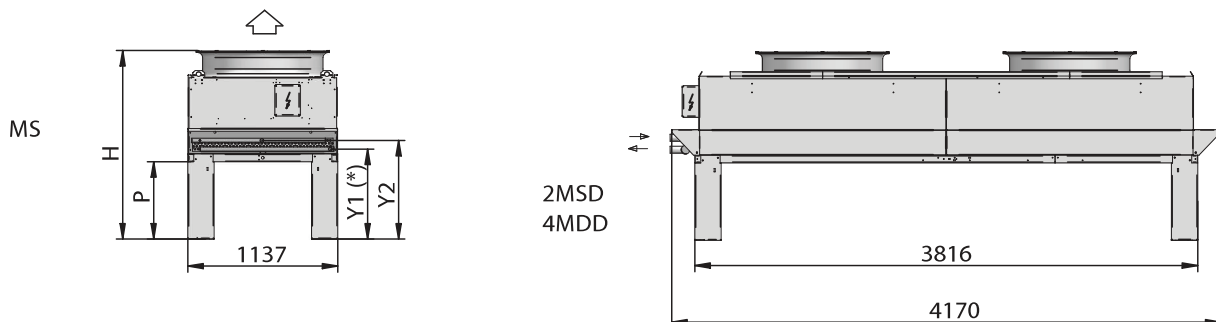
Air flow	4,60 m3/s
No. of fans	2
Rotation speed	330 r/mn
Power input at design condition	200 W
Max power at 100% fan speed	1 200 W
Voltage	400V-3-50Hz
Current input at design condition	0,60 A
Max current at 100% fan speed	2,40 A
Sound pressure	25 dBA
Distance	10 m

Technical specification

Fin spacing	2,12 mm
Surface	320 m2
Internal volume	41 dm3
Pipe inlet	33,7 mm
Pipe outlet	33,7 mm
Design pressure	120 bar
PED Cat	1

Dimensions

Vertical dimension (LxWxH)	4170x1137x1530 mm
Weight (net, not in operation)	467 Kg



Above data and drawing do not take selected options into account.