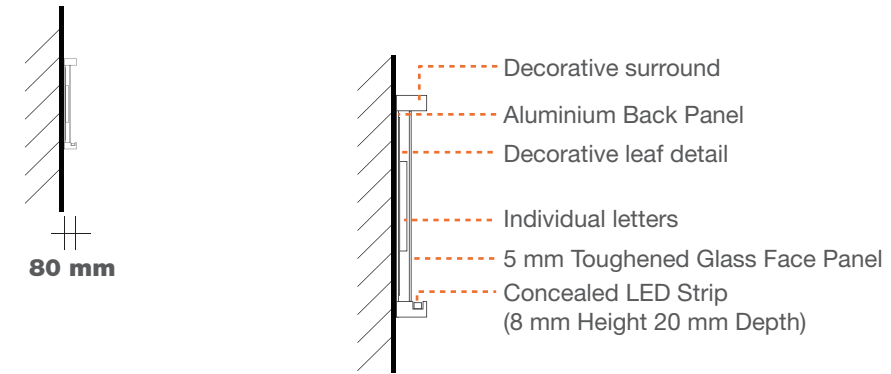
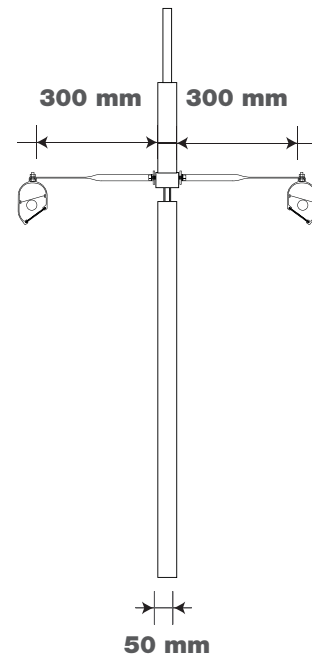
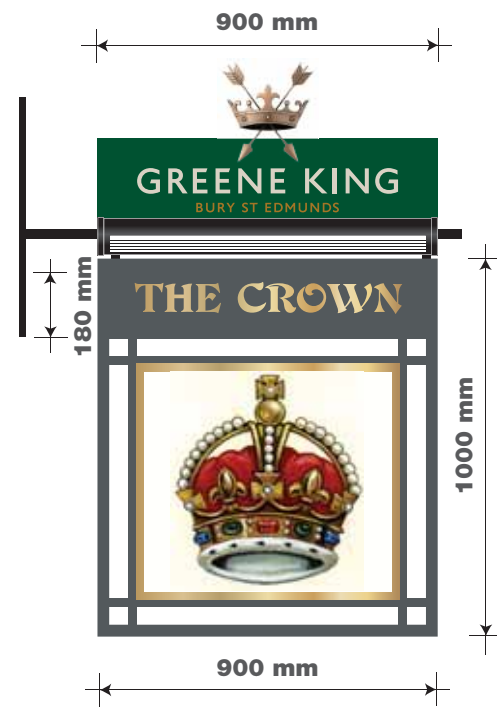


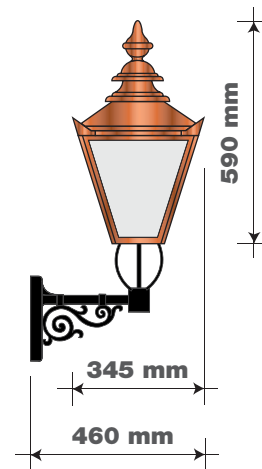
**ITEM 01A - 01C (Qty 3) TW 04B**  
 New glass LED illuminated fascia sign.  
 Scale 1:50



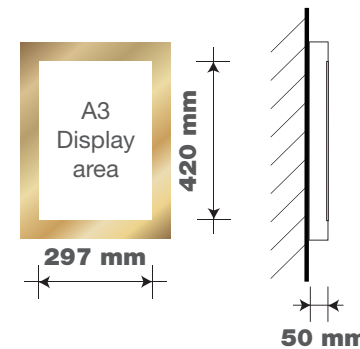
**ITEM 02A & 02B (Qty 2) TW 02A**  
 Double sided pictorial sign & gibbet.  
 With a double sided 'Greene King' header.  
 New trough lighting.  
 Scale 1:20



**ITEM 03A - 03D (Qty 4)**  
 Copper bottom fixed lanterns.  
 Scale 1:20



**ITEM 04A - 04C (Qty 3)**  
 Retain the existing Brass A3 Display area menu cases.  
 Scale 1:20



**ITEM 01A - 01C ONLY**



Scale 1:50 @ A3



Scale 1:20 @ A3

**sign colours**

GK Green Pantone 3435	GK Stone Pantone 7527	GK Bronze Pantone 875
Black	Brass	RAL 7011
Light Gold	RAL 1013	

**typefaces**

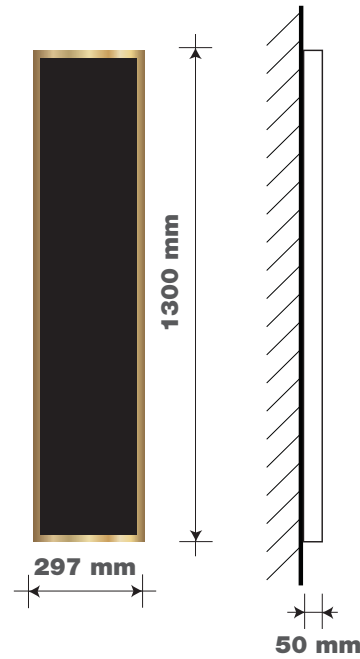
**House name text** DevinneOpti-Ornamented  
**secondary text** Mercury Text GI Roman

GREENE KNIG.  
**CROWN**  
 43 MONMOUTH ST,  
 COVENT GARDEN,  
 LONDON.  
 WC2 H9DD.

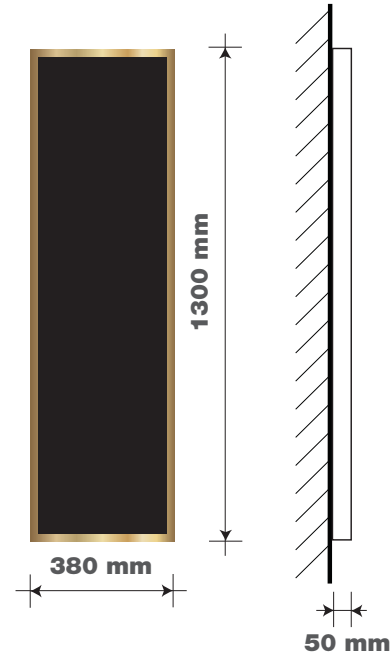
**122162**  
 05/09/16 - ALG



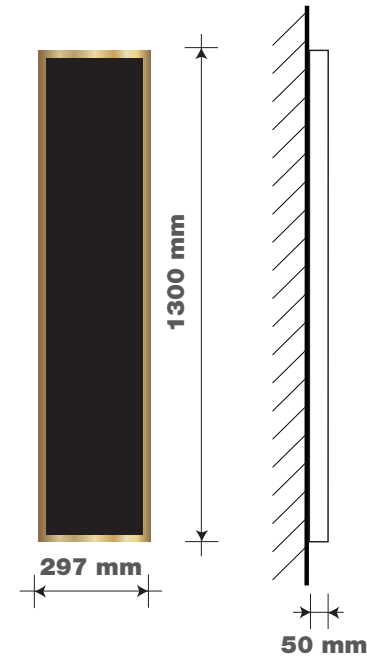
**ITEM 05 (Qty 1)**  
Brass framed chalkboard.  
Scale 1:20



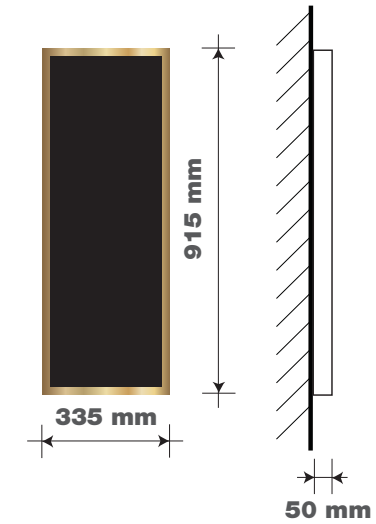
**ITEM 06 (Qty 1)**  
Brass framed chalkboard.  
Scale 1:20



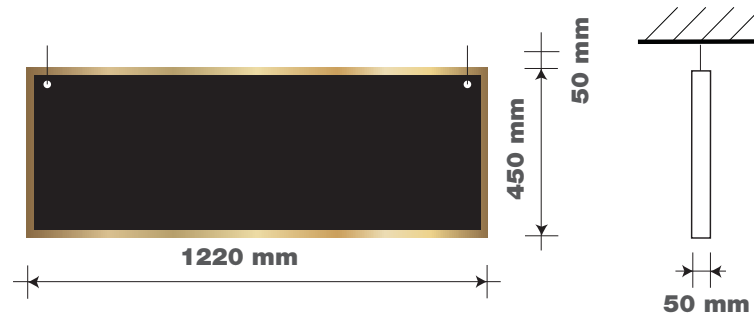
**ITEM 07 (Qty 1)**  
Brass framed chalkboard.  
Scale 1:20



**ITEM 08A & 08B (Qty 2)**  
Brass framed chalkboard.  
Scale 1:20



**ITEM 09 (Qty 1)**  
Suspended brass framed chalkboard over  
the entrance door.  
Scale 1:20

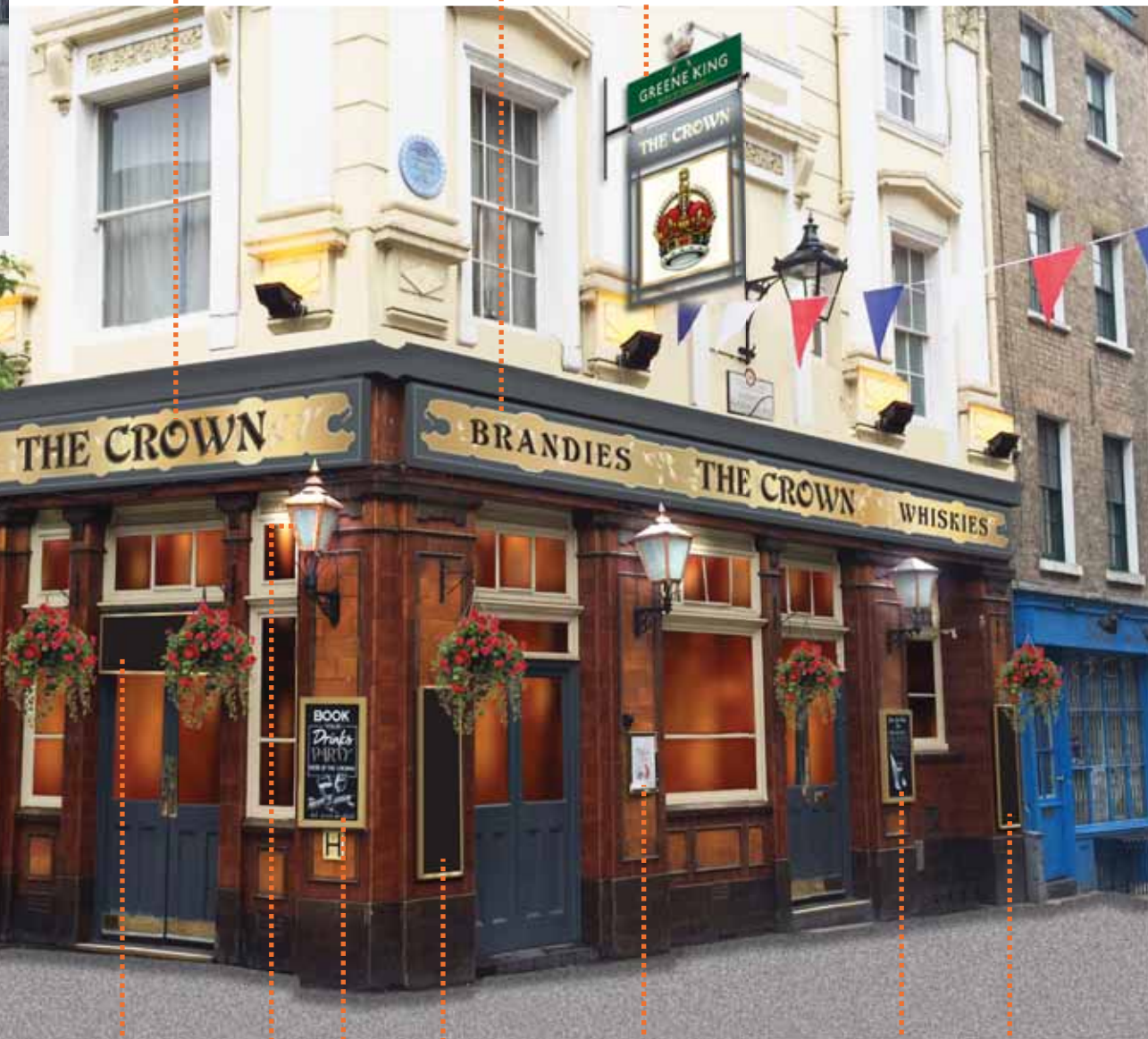


Scale 1:20 @ A3

GREENE KNIG.  
**CROWN**  
43 MONMOUTH ST,  
COVENT GARDEN,  
LONDON.  
WC2 H9DD.

**122162**  
05/09/16 - ALG





GREENE KNIG.  
**CROWN**  
43 MONMOUTH ST,  
COVENT GARDEN,  
LONDON.  
WC2 H9DD.

122162  
05/09/16 - ALG

