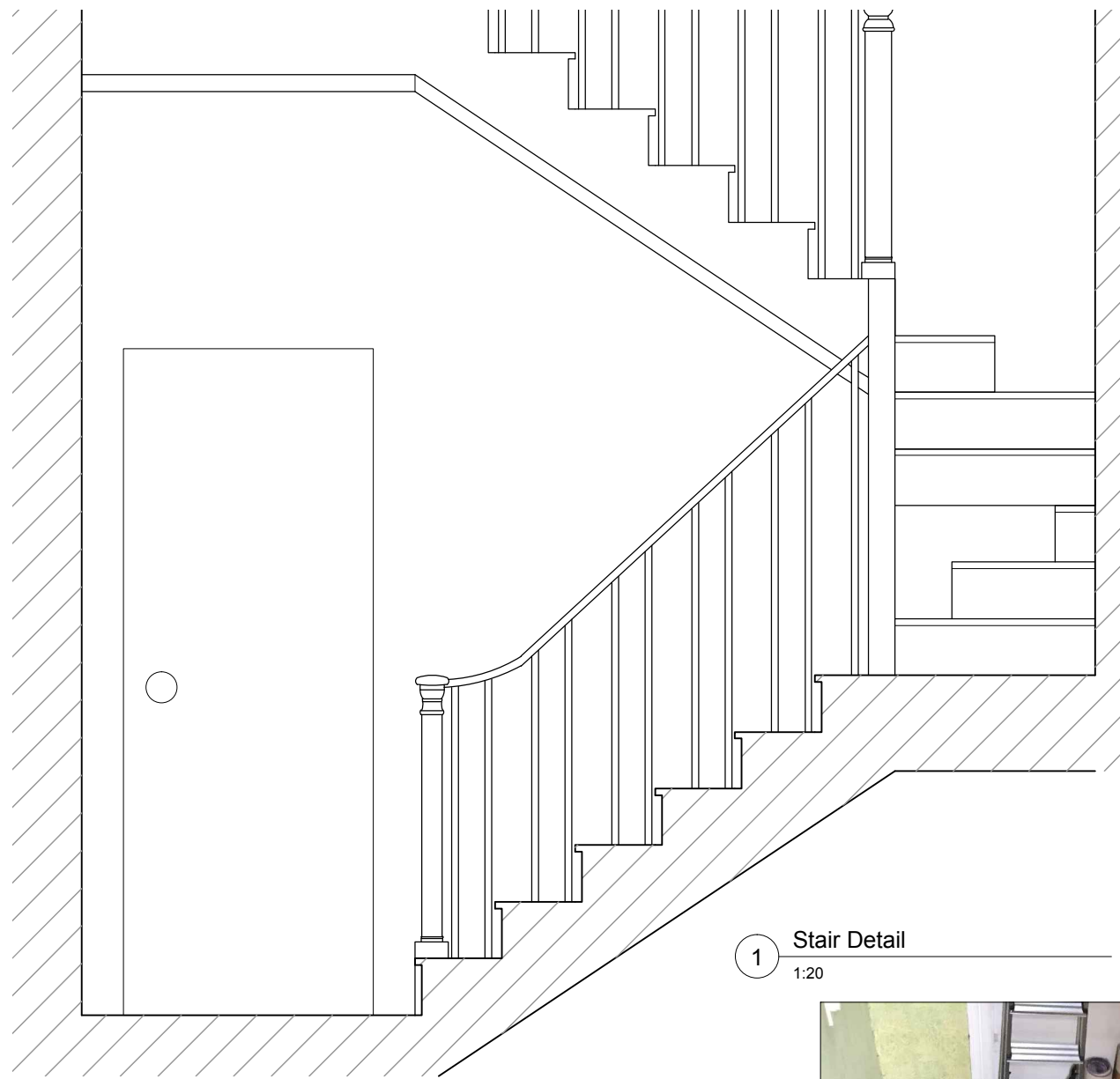
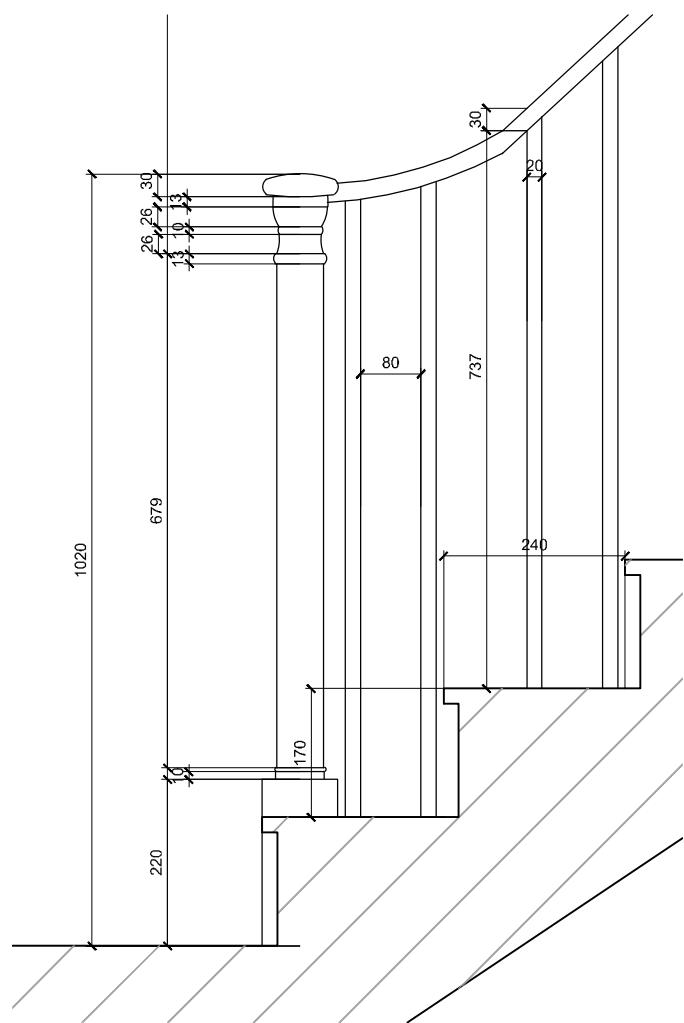


General Notes:

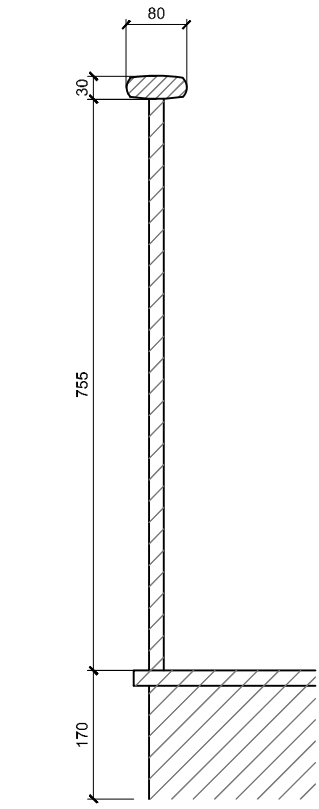
1. Copyright of this drawing remains the sole property of Cooley Architects unless otherwise assigned in writing.
2. Figured dimensions are to be worked in all cases with any discrepancies reported to the Architect prior to commencement of any work.
3. Setting-out is based on outline survey only. All dimensions to be checked on site prior to construction/ordering.
4. All dimensions are to edge/centre of structural element of wall or to grid-line, unless noted. If unclear consult Cooley Architects.



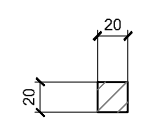
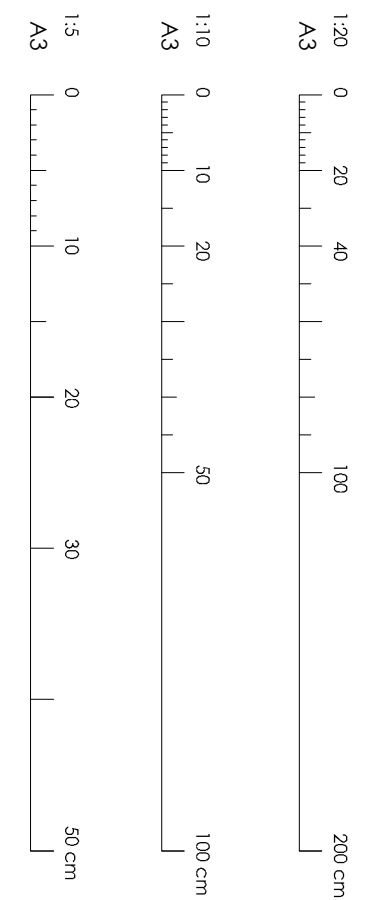
1 Stair Detail  
1:20



2 Balustrade Detail  
1:10

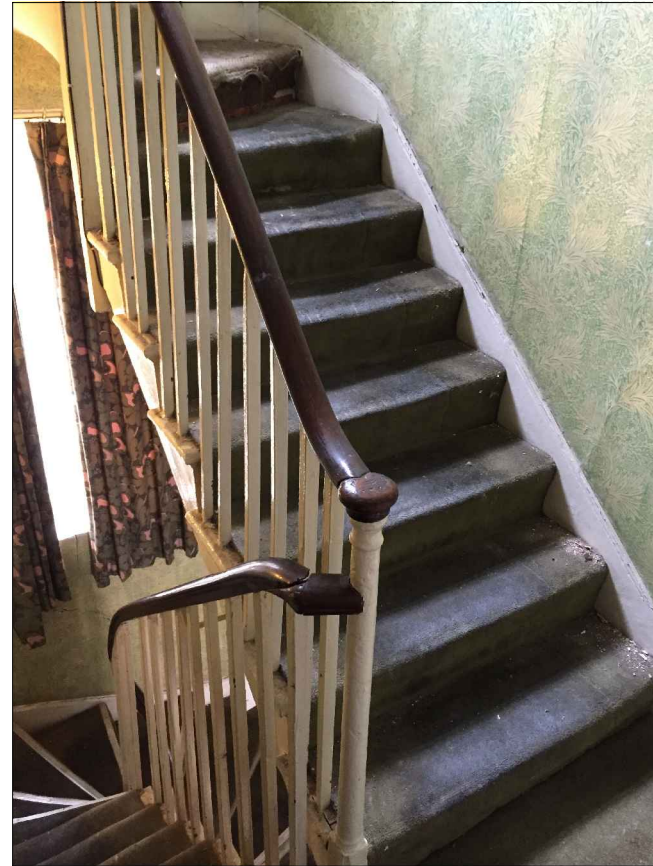


3 Handrail/Spindle Section  
1:10



4 Plan Spindle  
1:5

Note: Dimensions to be taken off site for manufacturing purposes



-	EL	New Drawing	SD	11.07.16
REV	BY	DESCRIPTION	CKD	DATE

**Cooley | Architects**

123 Aldersgate Street London EC1A 4JQ  
t: 020 3176 4481 www.cooleyarchitects.com

CLIENT

**Pearl and Coutts**  
PROJECT  
**Flat 2, 16 Leigh Street**  
London, WC1H 9EW

DRAWING TITLE

**Existing Stair Balustrade Details**

DRAWN BY	DATE	CHECKED
EL	Jul 16	SD
SCALE	SIZE	STATUS
N/A	A3	Existing

DRAWING No	REV
<b>831 - EX - XX02</b>	-