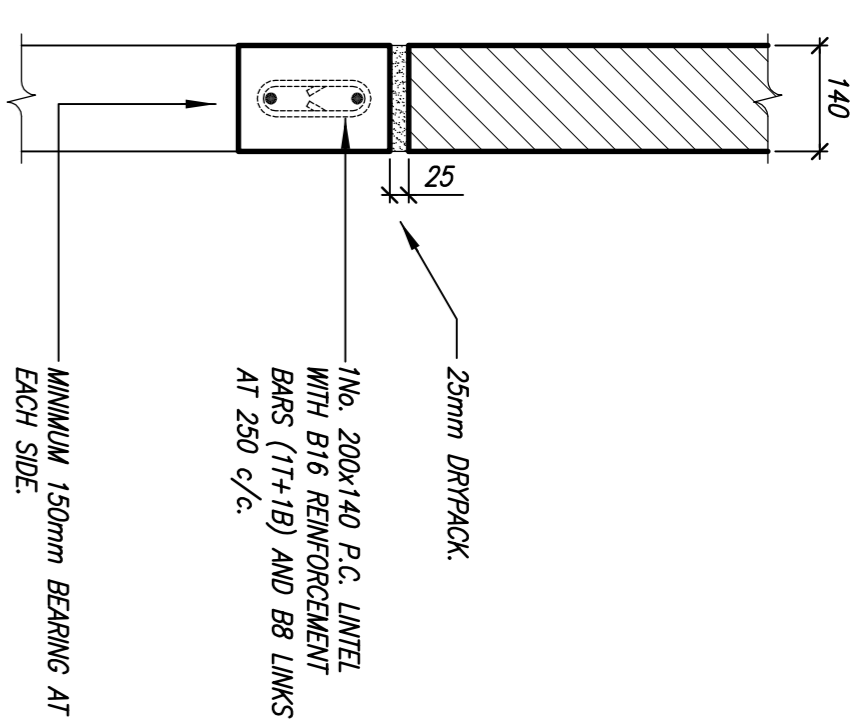
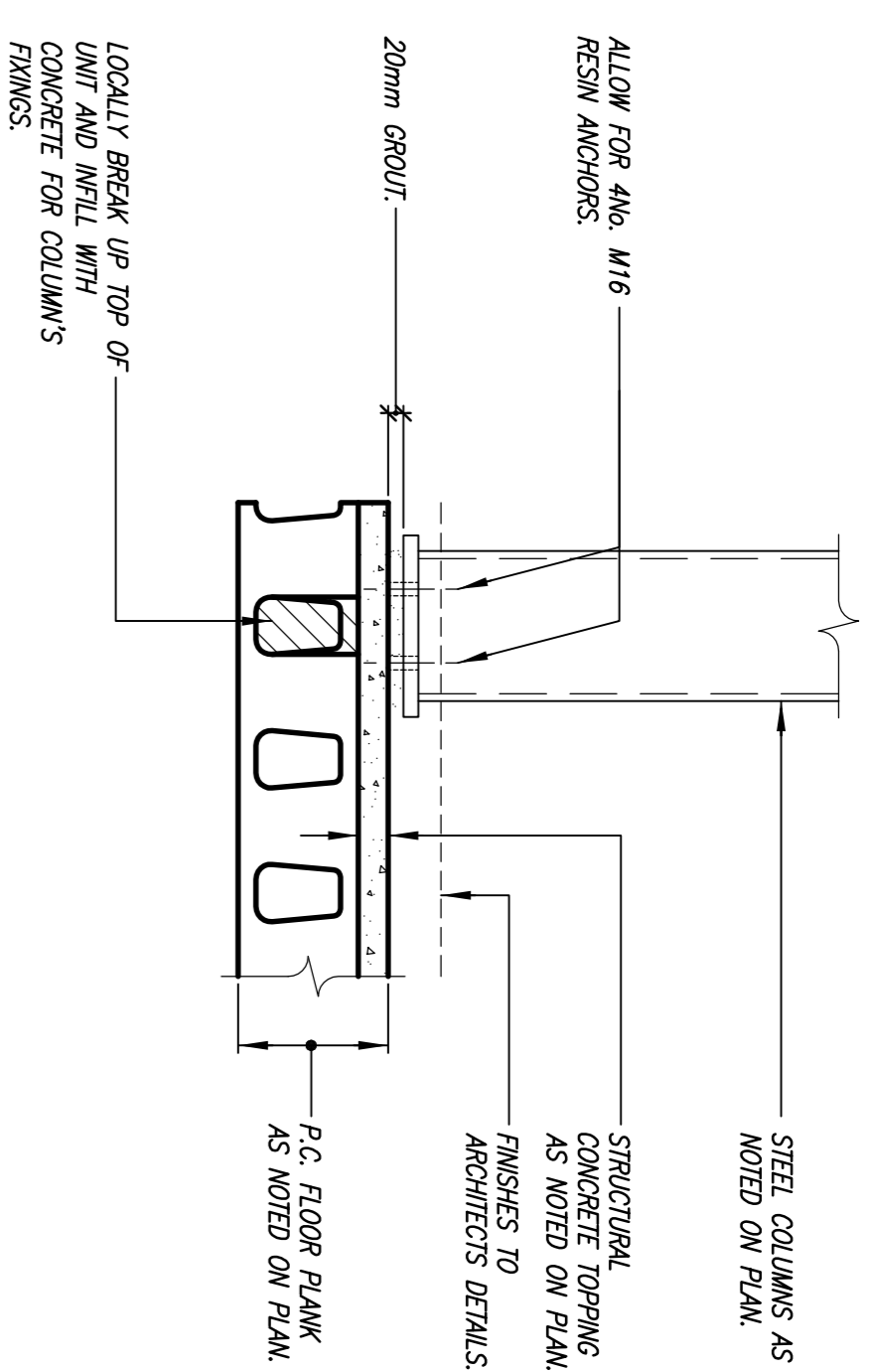


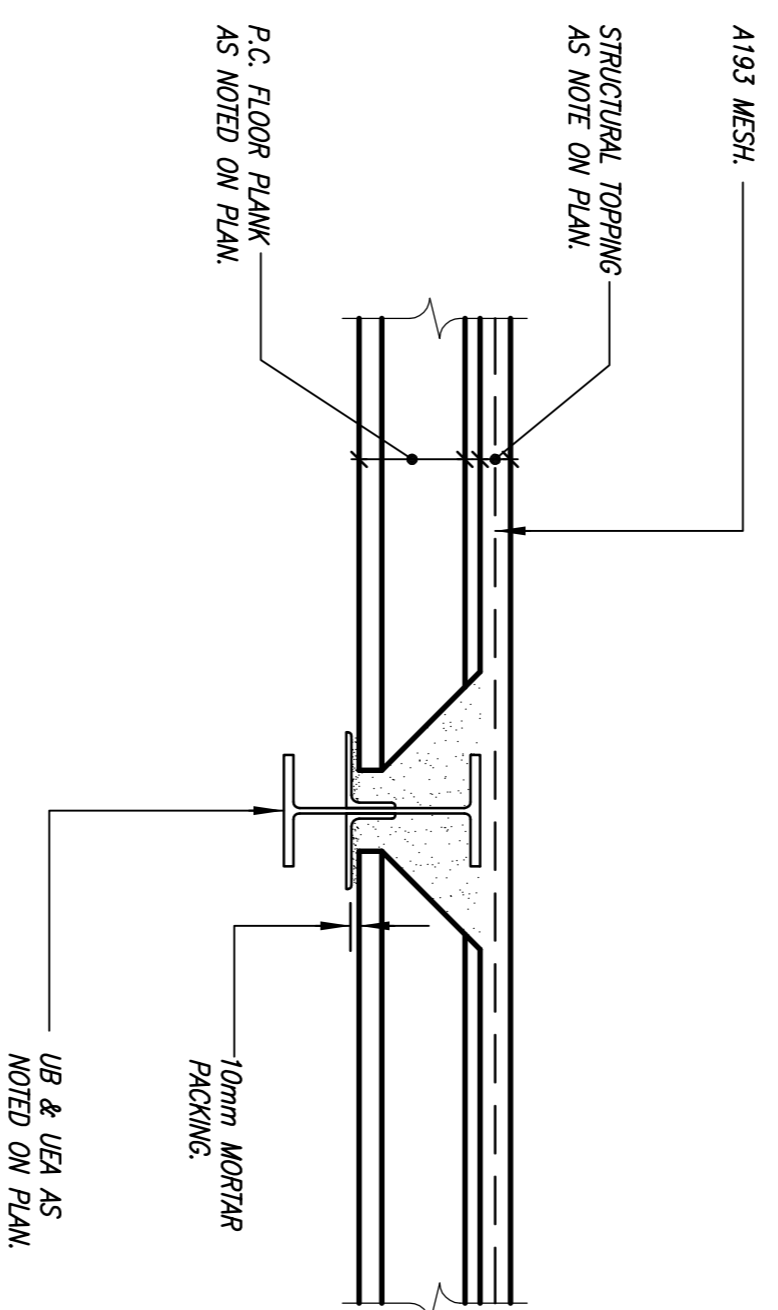
DETAIL 1  
LINTEL DETAIL TYPE L1



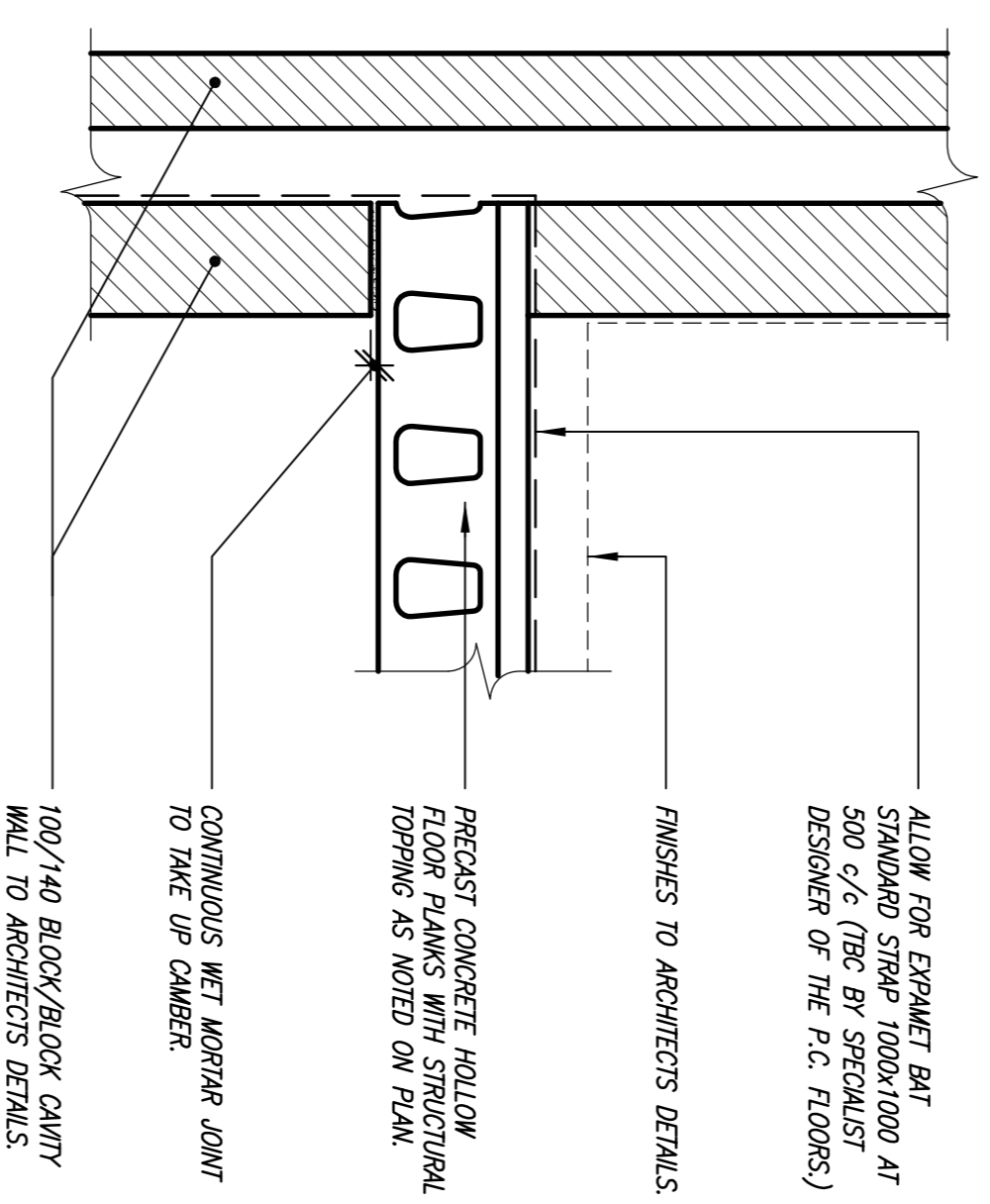
DETAIL 2  
LINTEL DETAIL TYPE L2



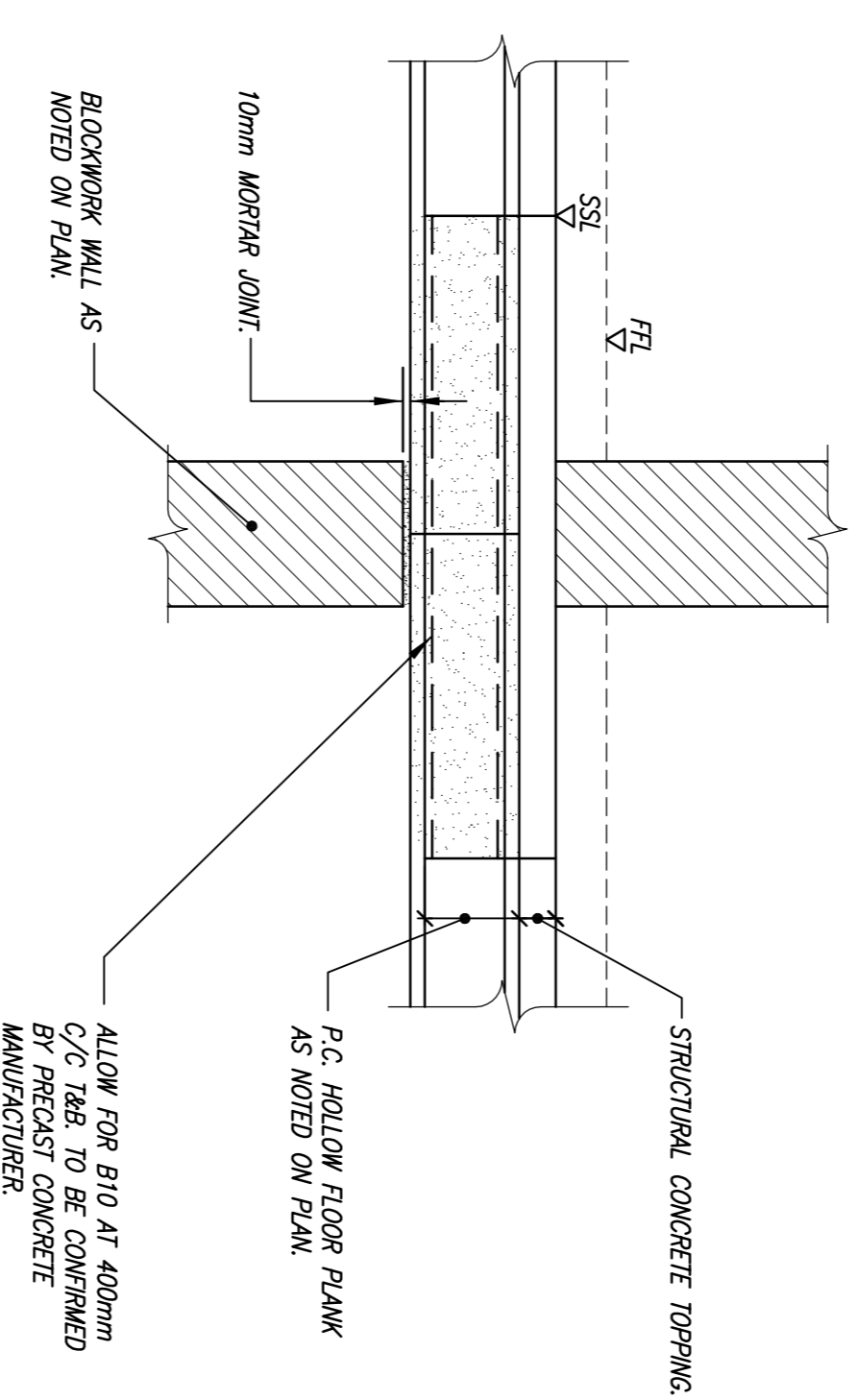
DETAIL 3  
CONNECTION OF STEEL COLUMN TO P.C. FLOOR PLANK.



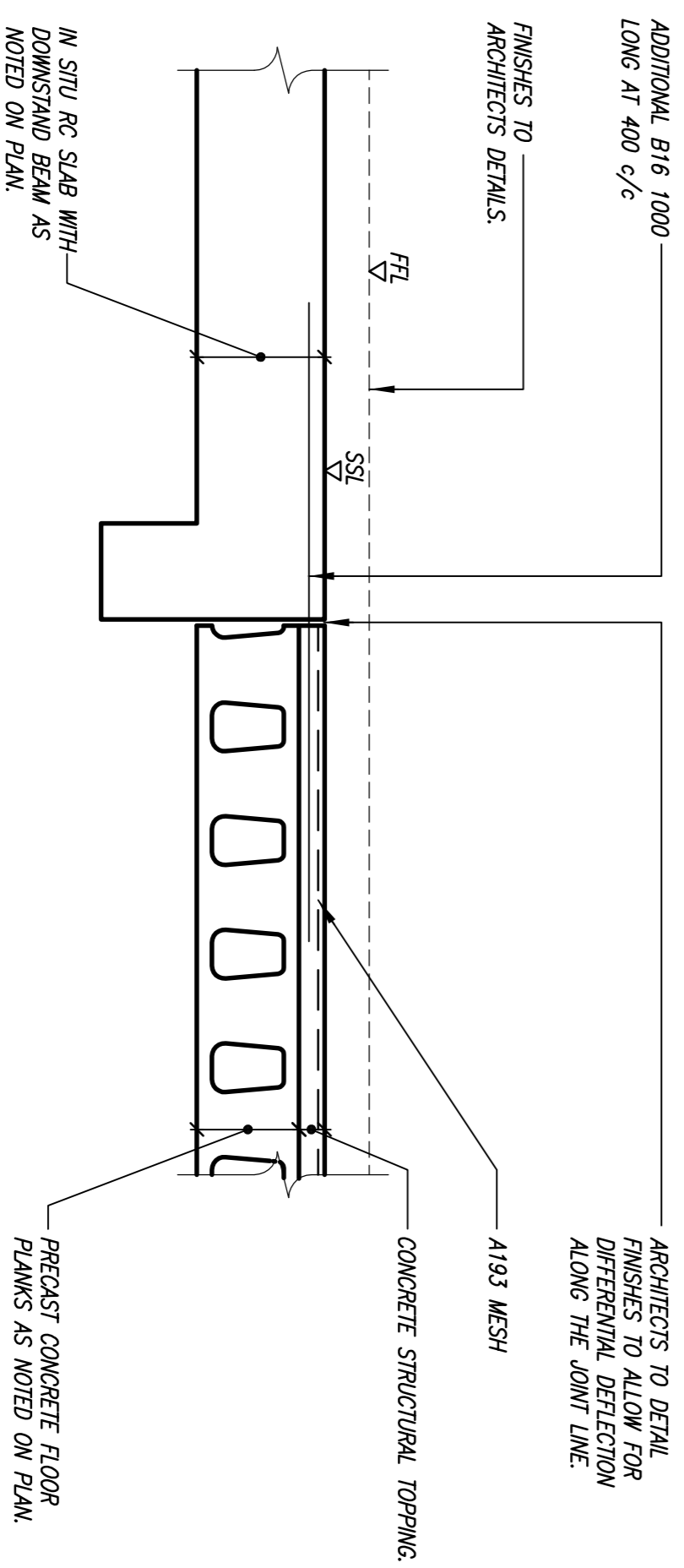
DETAIL 4  
INTERNAL BEARING ONTO STEEL BEAM.



DETAIL 5  
PRECAST CONCRETE FLOOR EDGE DETAIL.



DETAIL 6  
TYPICAL INTERNAL BEARING.



DETAIL 7  
IN-SITU RC SLAB/P.C. FLOOR.

- NOTES
1. THIS DRAWING IS TO BE READ IN CONJUNCTION WITH ALL RELEVANT ARCHITECT'S AND ENGINEER'S DRAWINGS AND THE SPECIFICATION.
  2. DO NOT SCALE FROM THIS DRAWING.
  3. FOR GENERAL NOTES SEE DRAWING 1636/001/100.
  4. ALL BUILDER WORKS SHOWN ON THIS DRAWING ARE INDICATIVE ONLY AND TO BE CONFIRMED WITH IABE ENGINEER.
  5. ALL UNDERGROUND DRAINAGE BY OTHERS.
  6. LOWER GROUND RC SLAB FIXED TO CONTINUOUS FIELD WALL AS PER DETAIL XXXXXXX

NOT FOR  
CONSTRUCTION

07.06.13 ISSUED FOR TENDER.

62 AVENUE ROAD

THE DETAILS  
SHEET 2 OF 2

Form	Checked
MM	LF
Scale (indical - A1)	1:10
Date	MAY'13

**Alan Baxter**

75 Cowcross Street London EC1M 6EL  
tel 020 7250 1555  
email abax@alanbaxter.co.uk  
www.alanbaxter.co.uk

1636/01/201