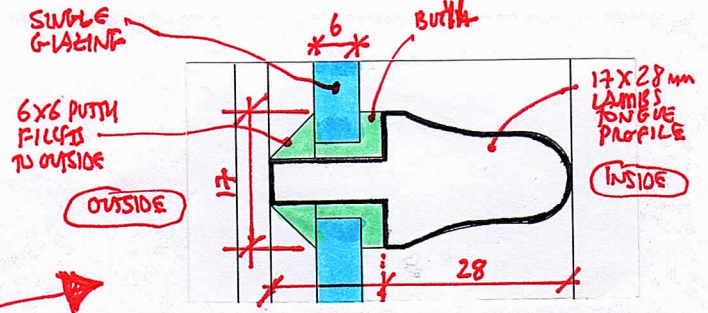
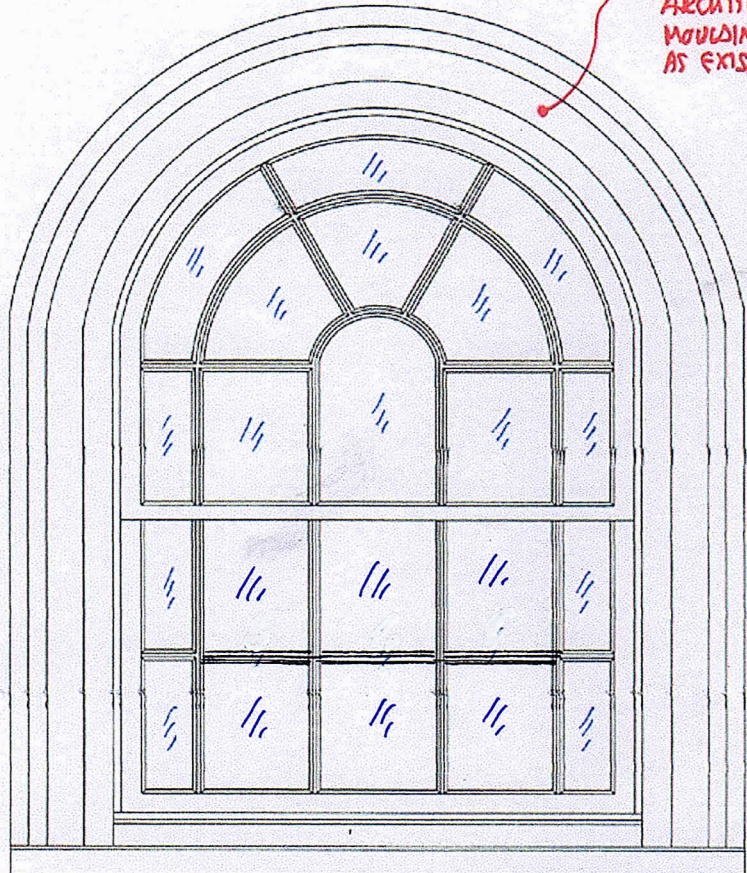


SPECIFICATION:

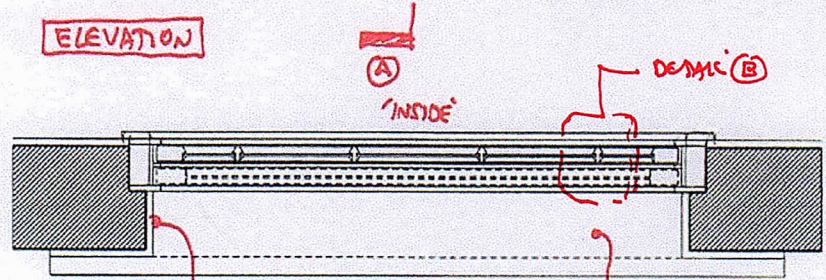
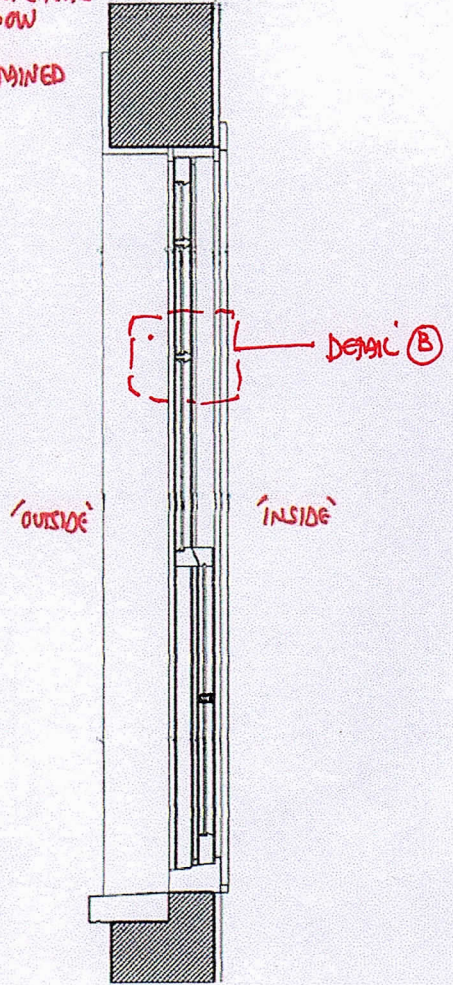
- WHITE PAINTED HARDWOOD
- 11-OVER-10 TRADITIONALLY DETAILED SASHES
- SINGLE GLAZED
- PUTTY FILLETS TO OUTSIDE
- LAMBS TONGUE STRUCTURAL GLAZING BARS
- TOP SASH FIXED / BOTTOM SASH OPENABLE (AS ARCHED)
- INTERNAL ADJUSTABLE LOCKING BOLTS



LAMBS TONGUE GLAZING BAR DETAIL (B)
 1:1 SCALE @ A4 SIZE



ELEVATION



PLAN

WHITE PAINTED RENDERED REVEALS (TO BOTH SLOPE AND ARCHED TOP REVEAL)

EXISTING WHITE PAINTED STONE CILL

SIZE = EXISTING STRUCTURAL OPENING INCLUDING STONE CILL AND RENDERED REVEAL REMAINED

NOTE:

SAME SPECIFICATION AND DETAILING TO OTHER 2 NO. ARCHED WINDOWS TO ROOMS ELEVATION @ GROUND FLOOR LEVEL

MONTANA HOTEL: 16-18 ARGYLE SQUARE, LONDON		
WINDOW DETAILS: FRONT ELEVATION (WINDOW WG.05)		
1:20 SCALE @ A4 SIZE	15/06/16	SK160615/01

27/06/16	SK160627/01
10/08/16	SK160810/01