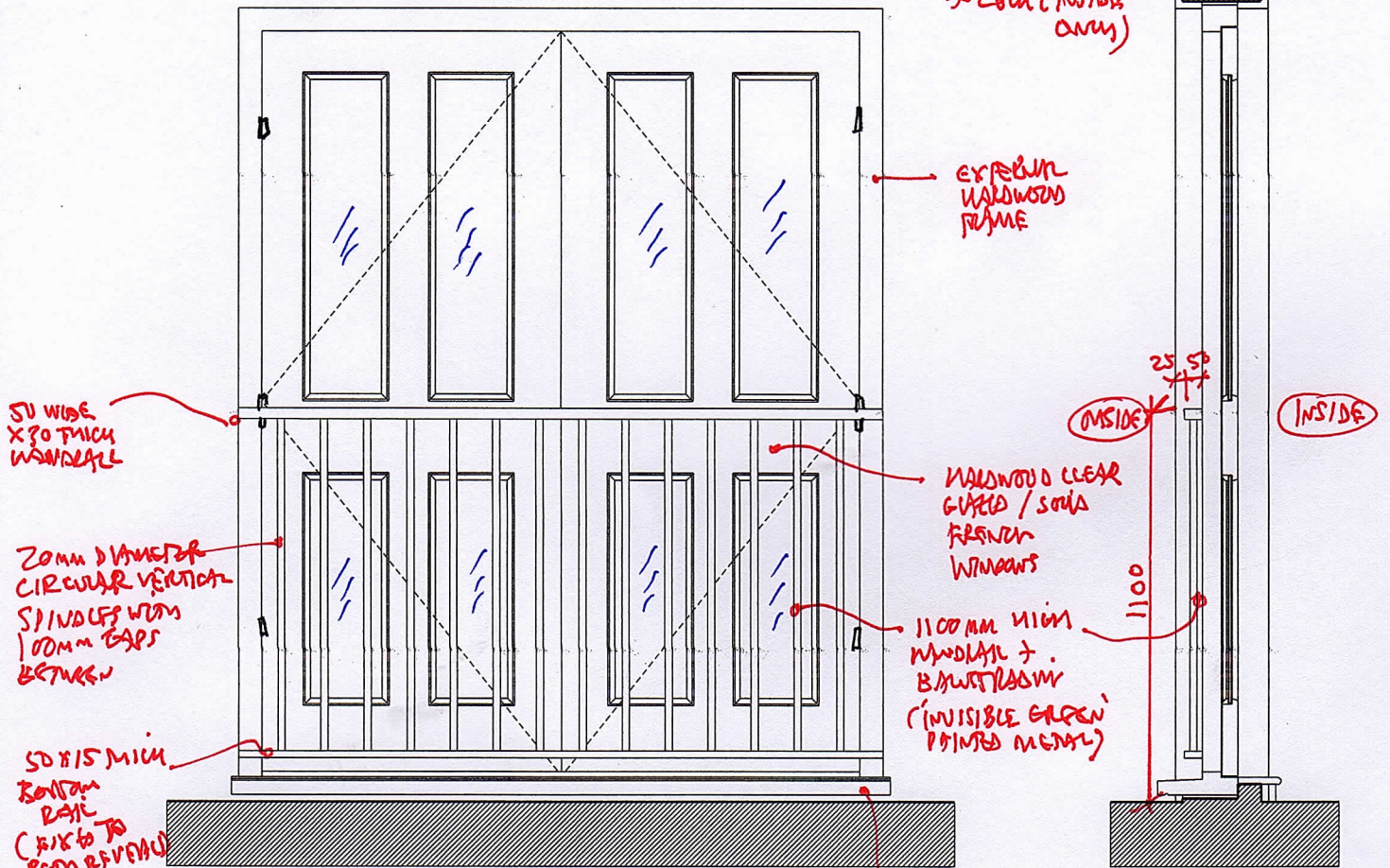


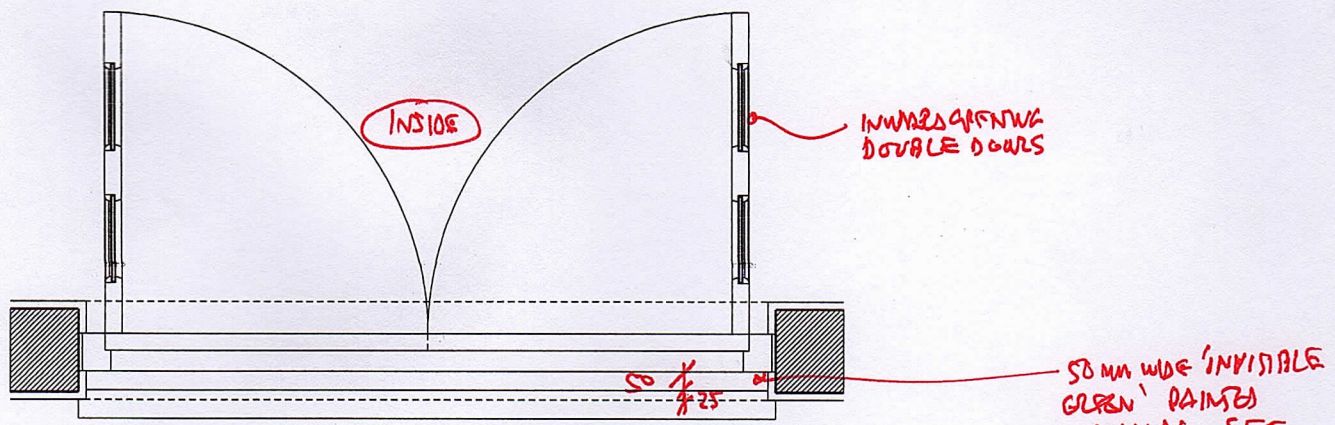
SPECIFICATION:

- /// - INDICATES 6mm THICK SILVER CLEAR GLAZING
- INSET MOLDED BEADING TO OUTSIDE OF GLAZING / SOLID TURN TO INSIDE OF GLAZING
- WHITE PAINTED WOODWORK FRAME AND TIMBER CONSTRUCTION AND EXTERNAL / INTERNAL DOOR CILLS
- DOOR HANDLES TO BE BLACK PORCELAIN (INSIDE + OUTSIDE) WITH BRASS WINGS + LOCK (INSIDE ONLY)



EXTERNAL ELEVATION

SECTION



PLAN

OUTSIDE

MONTANA WORK : 16-18 ARGYLE SQUARE LONDON  
 FRENCH WINDOWS + BAUSMASSIV (OUTSIDE BALCONY) : NO REAR EXTENSIONS (DOORS D.403, D.H.05 & D.408)  
 1:20 SCALE @ A4 SIZE | 24/08/16 | SU16 0824/21