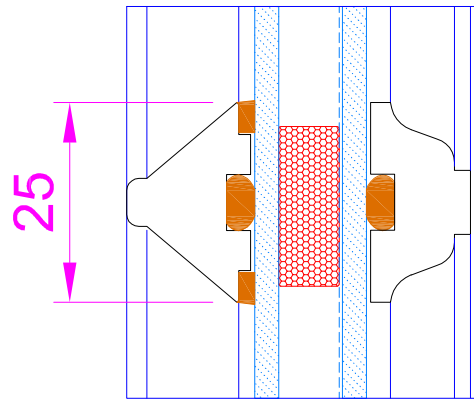
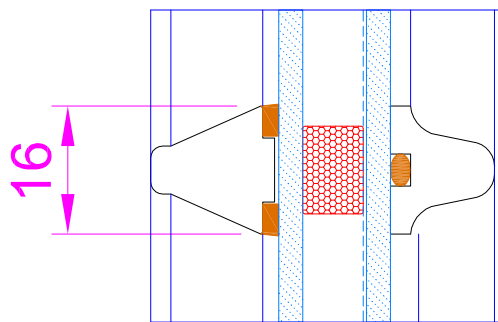


LAMBS TONGUE 35mm



LAMBS TONGUE 25mm



LAMBS TONGUE 16mm

| | | | | | | | |
|----------------------|-------------------|--|--|-----------|---------|------------|-------|
| ALL DIMENSIONS IN mm | | ORIGINAL PLOT A4 SIZE (210x297) | | | | | |
| SCALE | GENERAL TOLERANCE | MATERIAL | | | | | |
| 1 : 1 | + 2 | Timber | | T.Tomicki | E.Krupa | 01.06.2012 | |
| TITLE | | HERITAGE SLIDING SASH SLIM-LINE (SPIRAL BALANCE) | | L.Young | | 12.04.2012 | 0 |
| | | Section - Bars | | DRAWN BY | CHECKED | DATE | ISSUE |
| | | | | 2902 | | | SHT 1 |