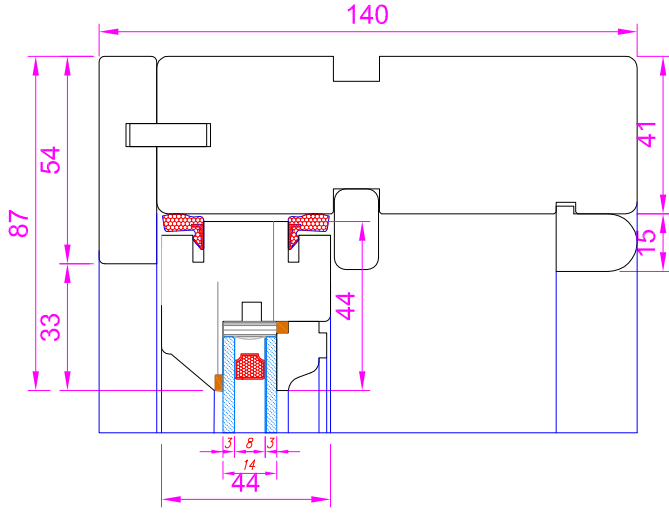
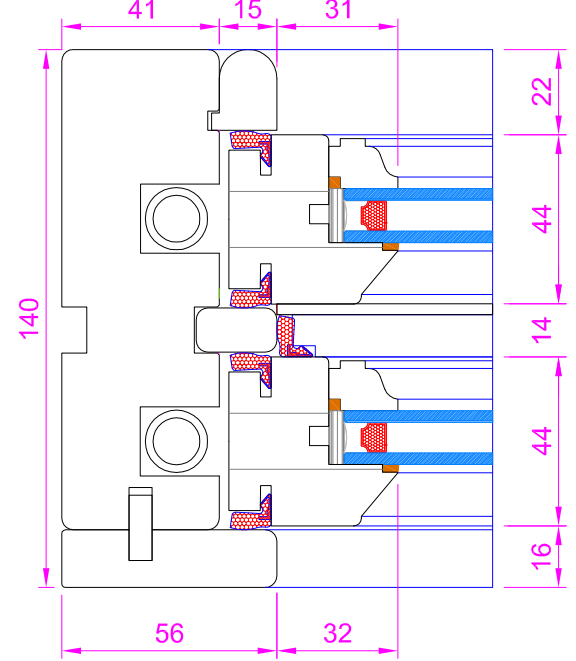


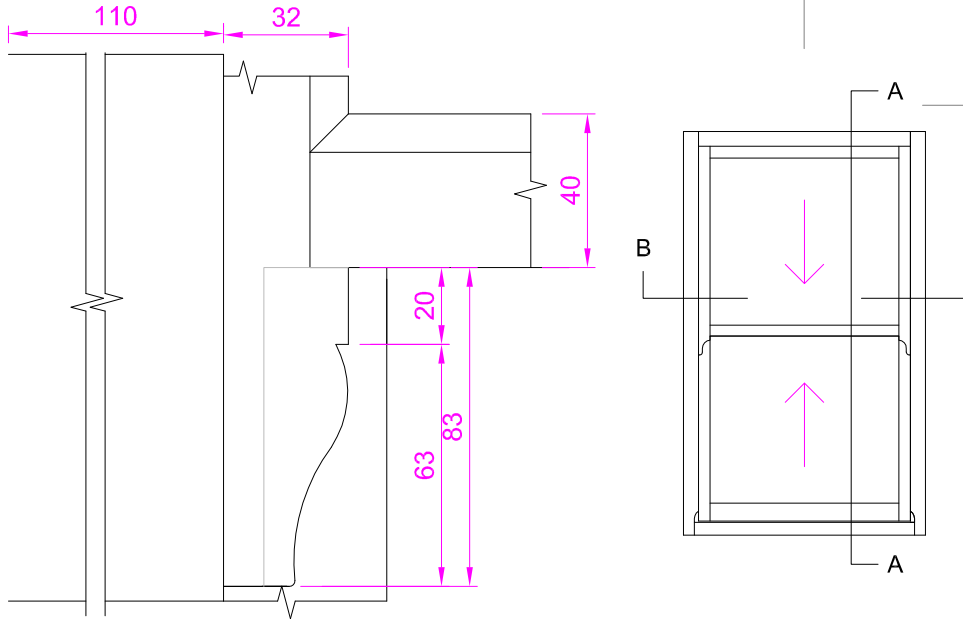
Section A-A (Dwg.No. 2903)



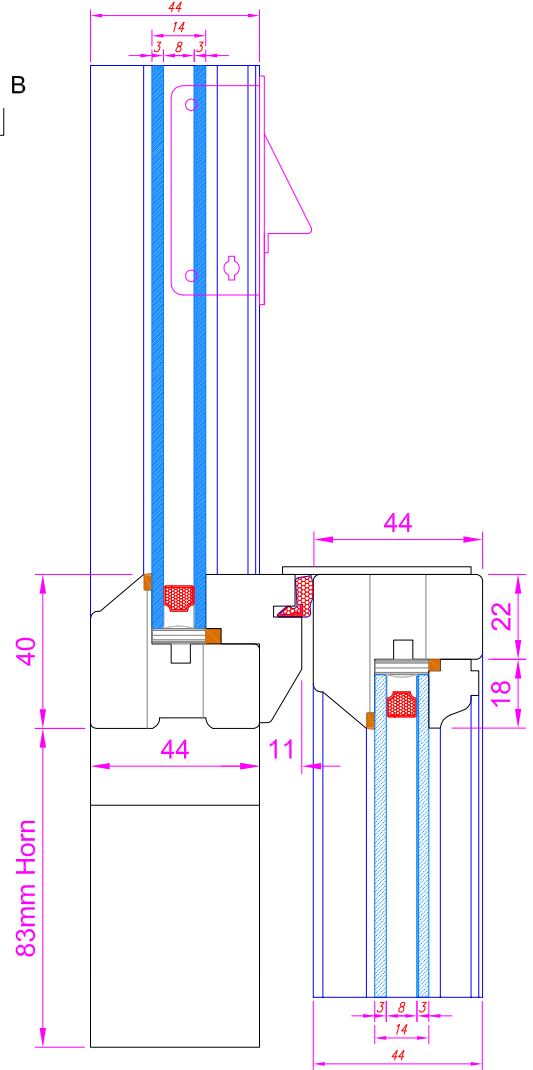
Section B-B (Dwg.No. 2906)



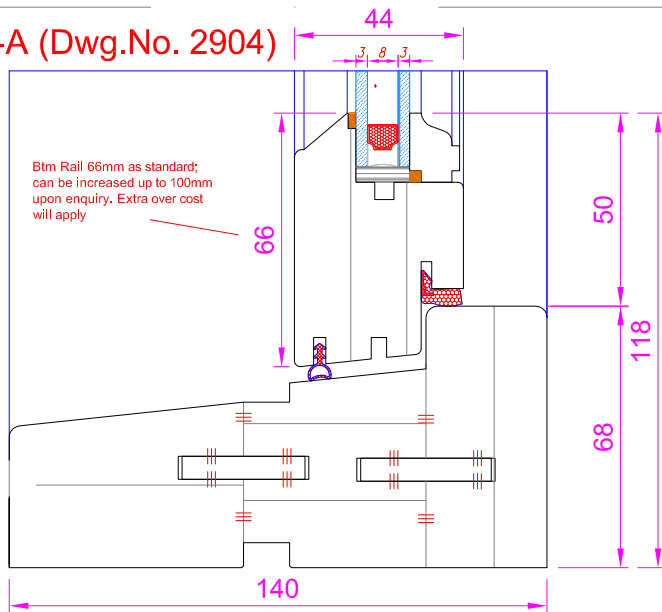
Section A-A (Dwg.No. 2908)



Section B-B (Dwg.No. 2905)



Section A-A (Dwg.No. 2904)



CILL EXTENSION - available options: 25mm (165mm o/a) / 47mm (187mm o/a) / 62mm (202mm o/a) / 87mm (227mm o/a) / 100mm (240mm o/a), 114mm (254mm o/a) / 140mm / 280mm o/a)



ALL DIMENSIONS IN mm		ORIGINAL PLOT A2 SIZE (420x594)				
SCALE	GENERAL TOLERANCE	MATERIAL				
1 : 1	+ 2	Timber				
TITLE	HERITAGE SLIDING SASH SPIRAL BALANCE Inline Section Details			J. SANIK	31.10.2012	0
				DRAWN BY	CHECKED	DATE
				DWG NO.	2915	ISSUE
						SHT
						1