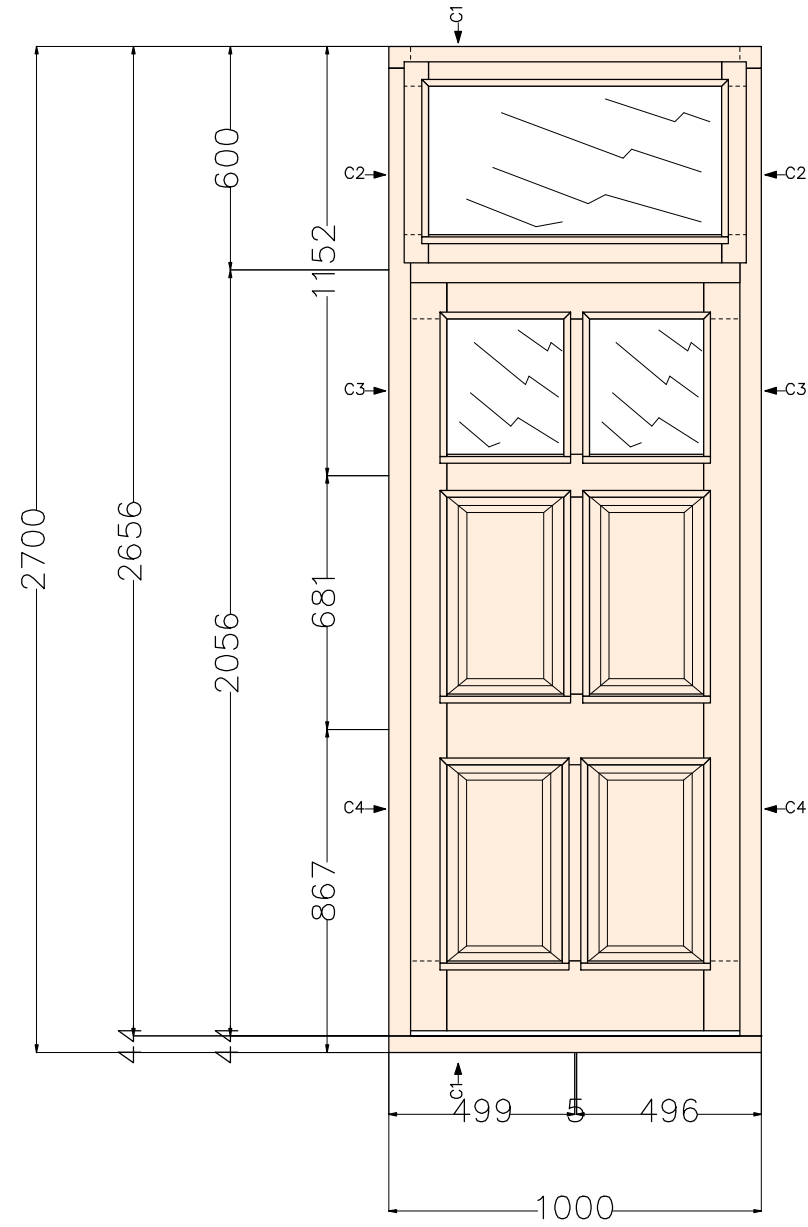
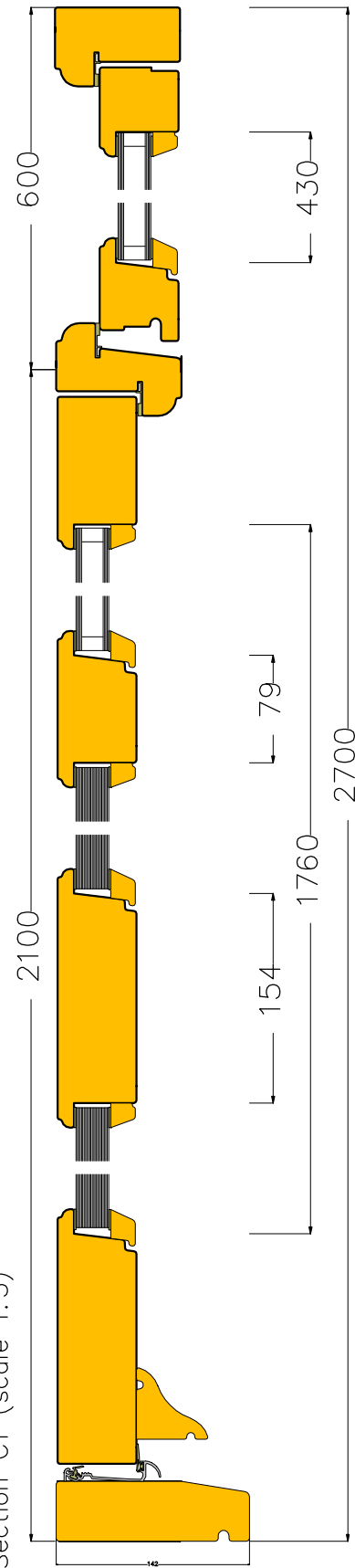


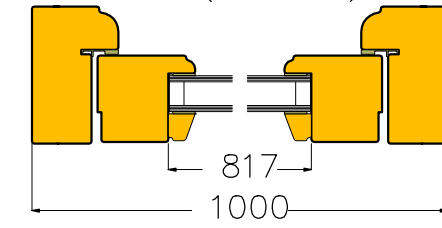
View from outside (scale 1:20)



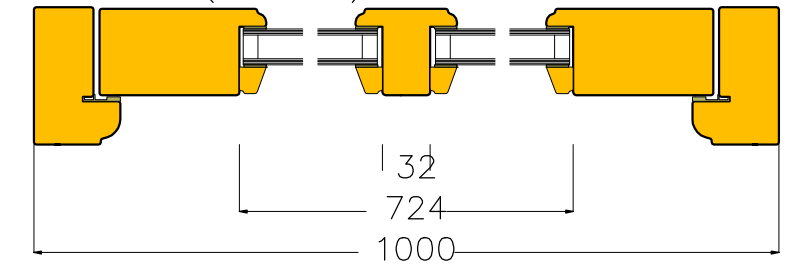
Section C1 (scale 1:5)



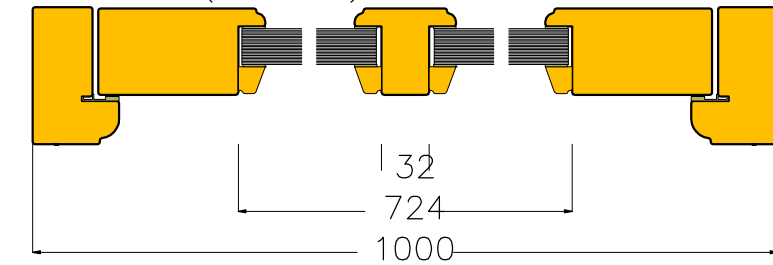
Section C2 (scale 1:5)



Section C3 (scale 1:5)



Section C4 (scale 1:5)



Order: 15458#-0	Drawn.	Date 26.11.2015	Name anhr
Item: 11			



**Dempsey Dyer Ltd**  
a way forward for sustainability