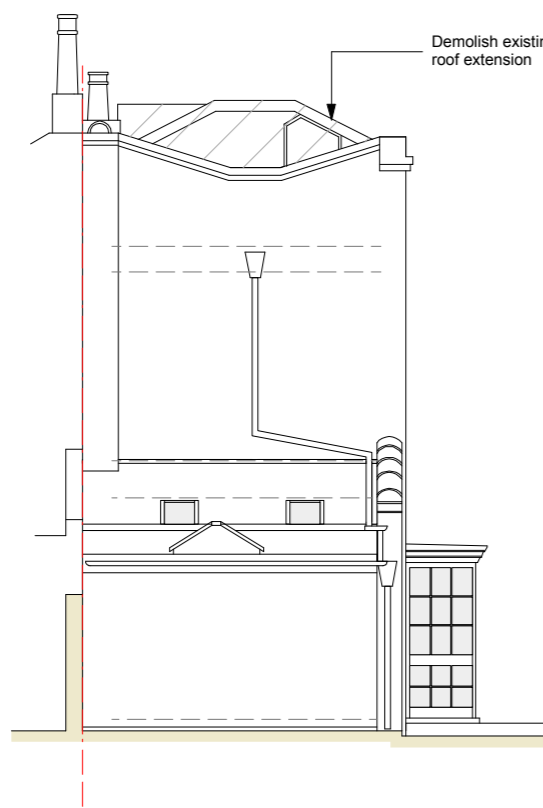
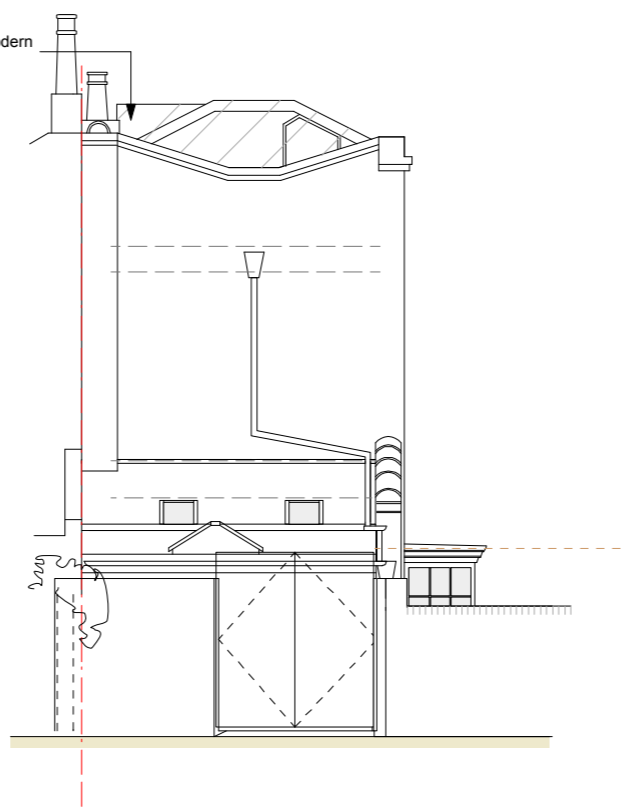




North Elevation : Existing
Scale 1:100



East Elevation : Existing
Scale 1:100



East Elevation (from road): Existing
Scale 1:100



West Elevation : Existing
Scale 1:100

BASE DRAWINGS BY OTHERS



Scheme Level
from an outline survey by others

1. This drawing has been based upon a survey that was itself based on OUTLINE measurements NOT a full measured survey. As a result, considerable attention to the dimensions of any proposed works must be applied, taking site dimensions and templates as necessary.
2. While this drawing can be used as a base drawing for construction purposes, it is VERY IMPORTANT that all dimensions are checked carefully before any work commences or any materials are ordered.
3. This drawing can be used as part of a planning application, although your planning officer may ask for more specific information about some aspects of the design. For further information ask your architect.

4. Where applicable, a suitable Structural Engineer and/or a Party Wall Surveyor should be consulted. Although as far as possible these instances have been indicated, this is not necessarily exhaustive and the whole scope of proposed works should be reviewed.
5. Unless other arrangements have been specifically made, your building contractor should serve a Building Notice, as and where applicable, to your local authority to satisfy the requirements of the Building Regulations. Your building contractor should also liaise with the Building Control Officer regarding routine inspections of the work.

This is a 'Scheme Level Drawing' and is intended to illustrate the general arrangement of the project proposals. As it stands this drawing does not include all of the detail necessary for a full plans building regulations application.
While this drawing can be used as a base drawing for construction purposes, your building contractor may require more information. It is therefore important to discuss, with your architect & builder together, where more detail would be appropriate.

Further detailed design / dwgs may be needed for this section.
You may need a Structural Engineer for this section.
This symbol indicates that it may be beneficial to have more detailed design drawings prepared to illustrate elements of the proposal in more detail so that your building contractor can more fully understand the intention of the design.
This symbol indicates that structural calculations / structural design may be required, both of which should be undertaken by a suitable structural engineer. Your architect can help point you in the right direction.

You may need to consult a Party Wall Surveyor for this section.
This symbol indicates that you may need to take action in order to comply with the Party Wall Act and it may be wise to consult a suitable Party Wall surveyor. Your architect can help point you in the right direction.

All dimensions are in millimetres
All dimensions to be checked on site
© Architect Your Home

Architect Your Home Licensee:
Architect Your Home Camden
4 Dartmouth Park Road
London NW5 1SY
Tel: 020 7485 3133
Email: camden@architect-yourhome.com
Project name:
34 Harmond Street, London, NW1 8DJ

Drawing name: ELEVATIONS : EXISTING		
Date: 11 APR 2013	Job no: 08-167	Drawing no: 17
Scale: 1:50@A3	Revision: -	Drawn by: NB/AB
architectyourhome		