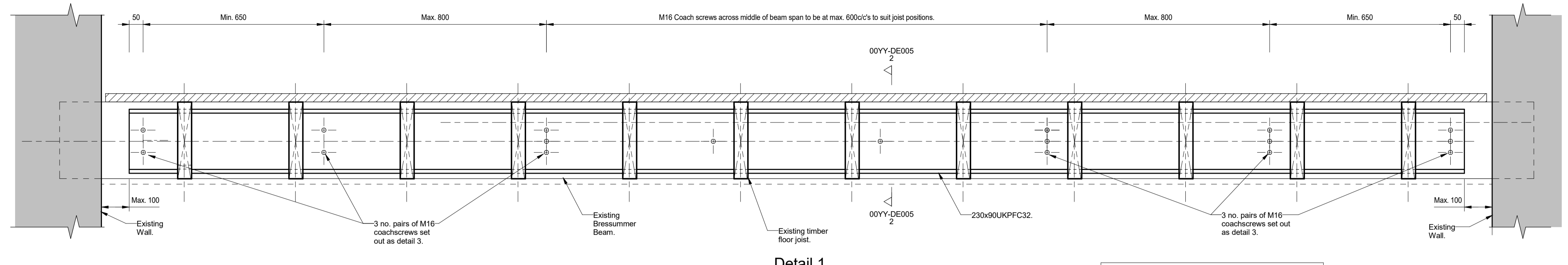


General Notes

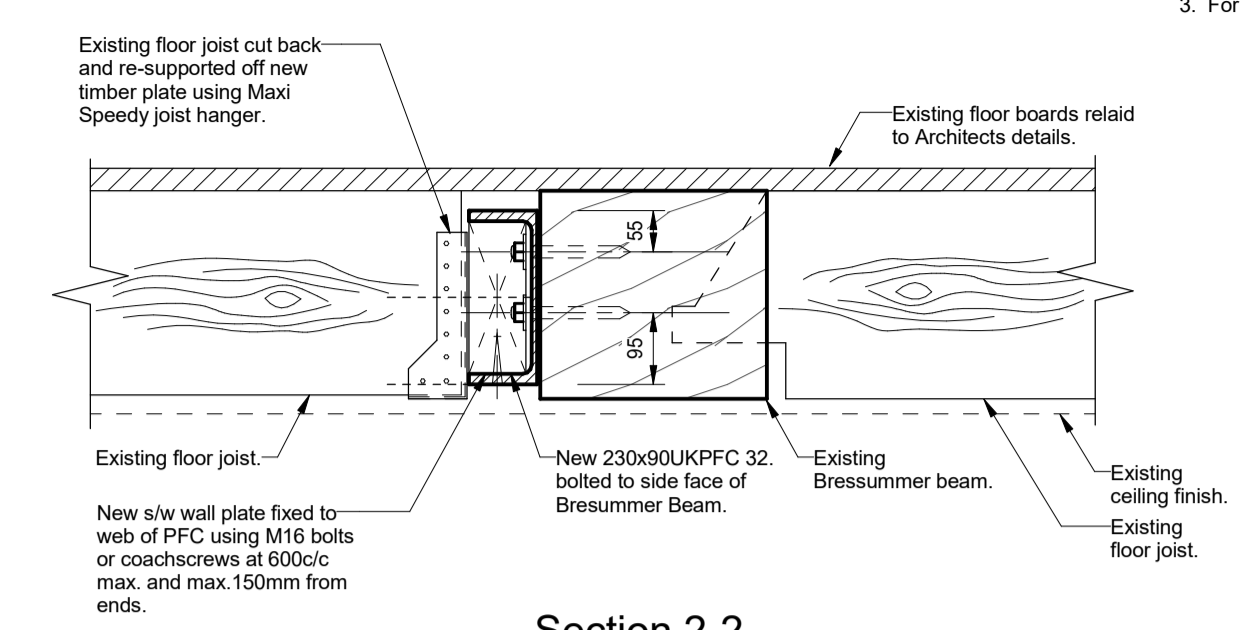
1. Drawings shall be referred to for structural work only unless otherwise stated and read in conjunction with Architects, Service Engineer's and Sub-Contractor's drawings.
2. The Contractor shall check all levels and dimensions, any errors or omissions are to be reported at once to the Engineer.
3. For General Notes refer to no. 9100-DRG-99YY-GN002.



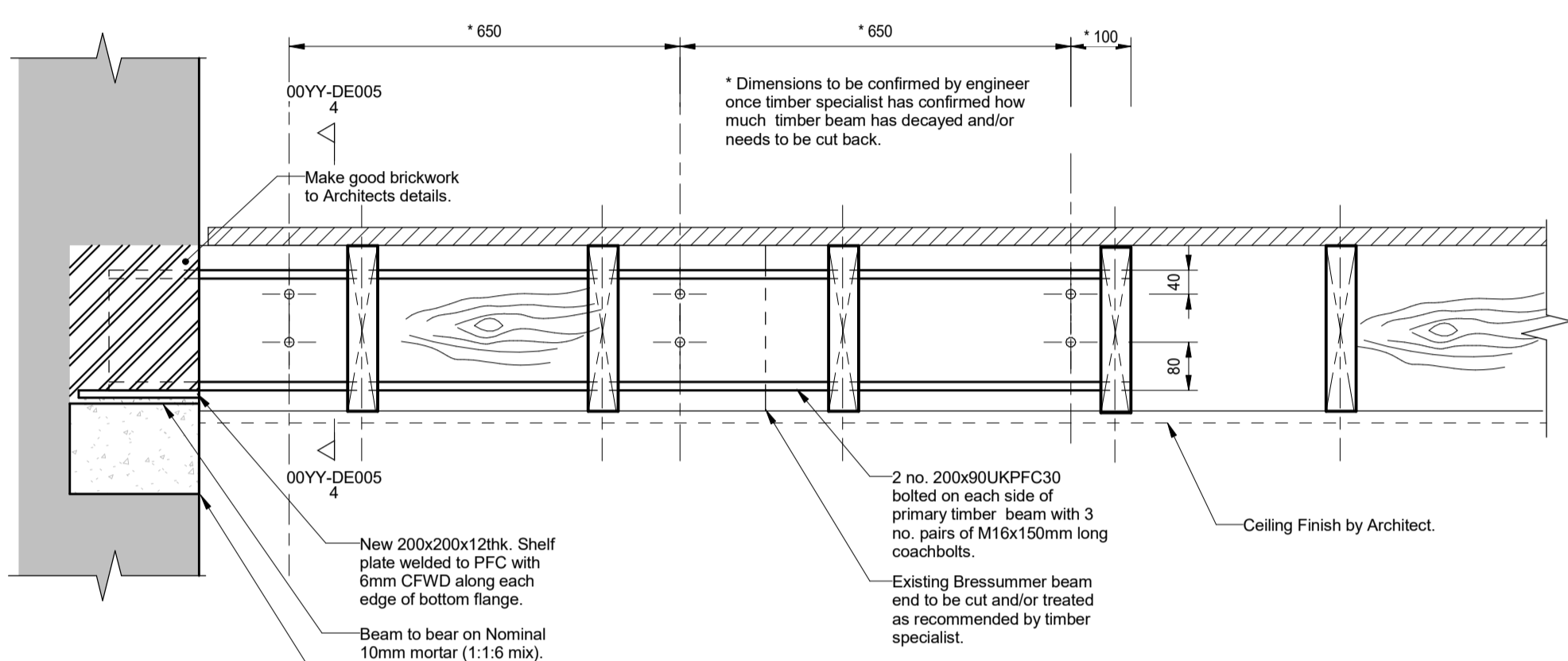
Detail 1
(Stiffening of Bressummer Beam)

scale 1 : 10

NOTE
ALL COACHSCREWS TO HAVE 150 EMBEDMENT INTO EXISTING BEAM.

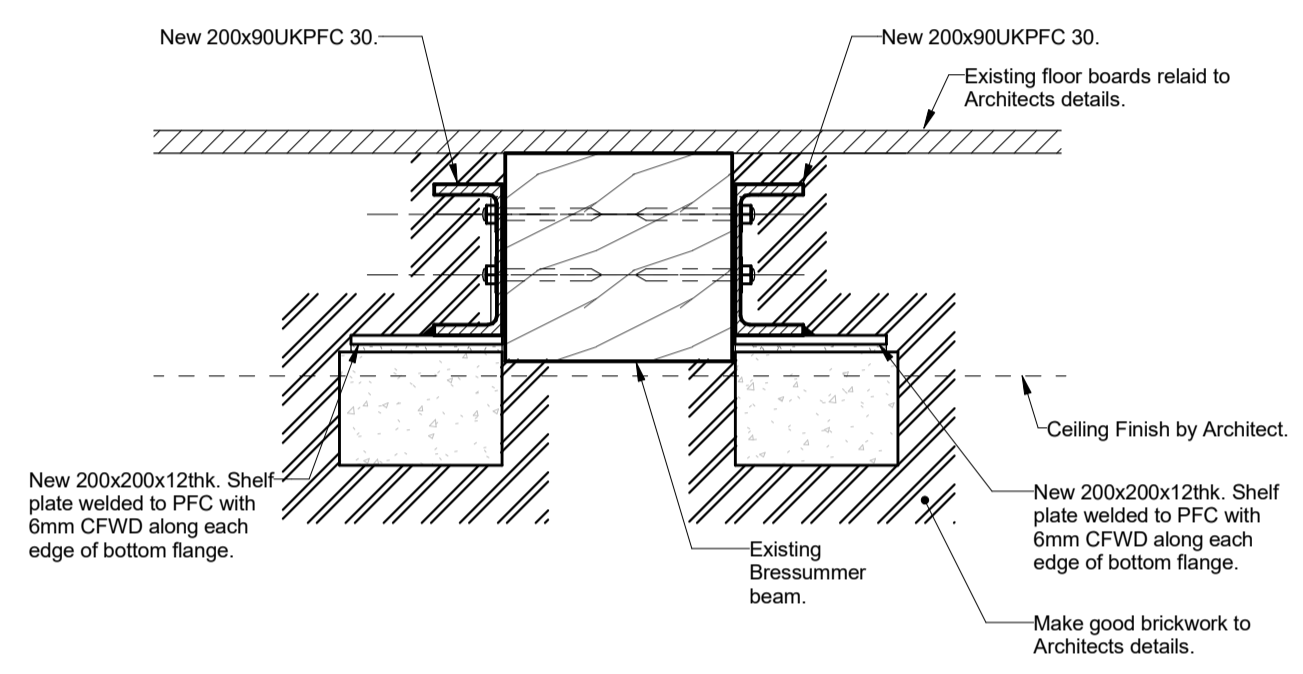


Section 2-2
scale 1 : 10

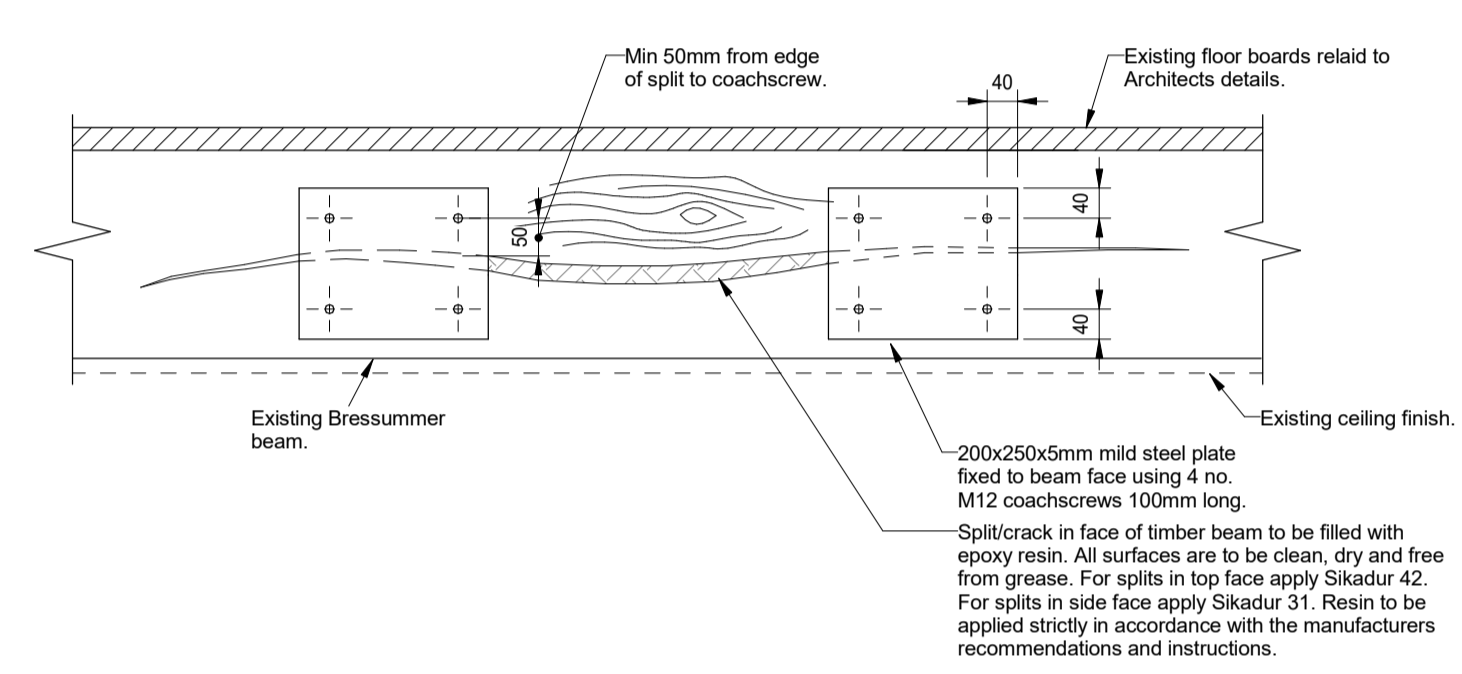


Detail 3
(Repair to Decayed Bressummer Beam End)

scale 1 : 10

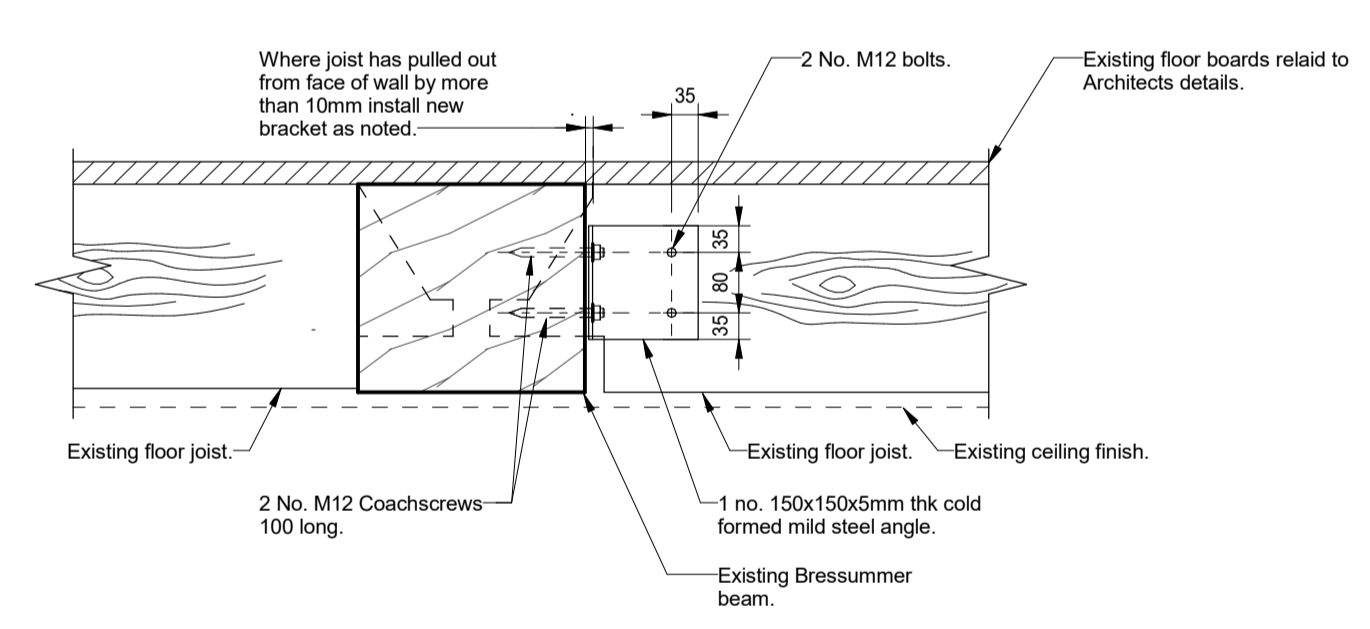


Section 4-4
scale 1 : 10



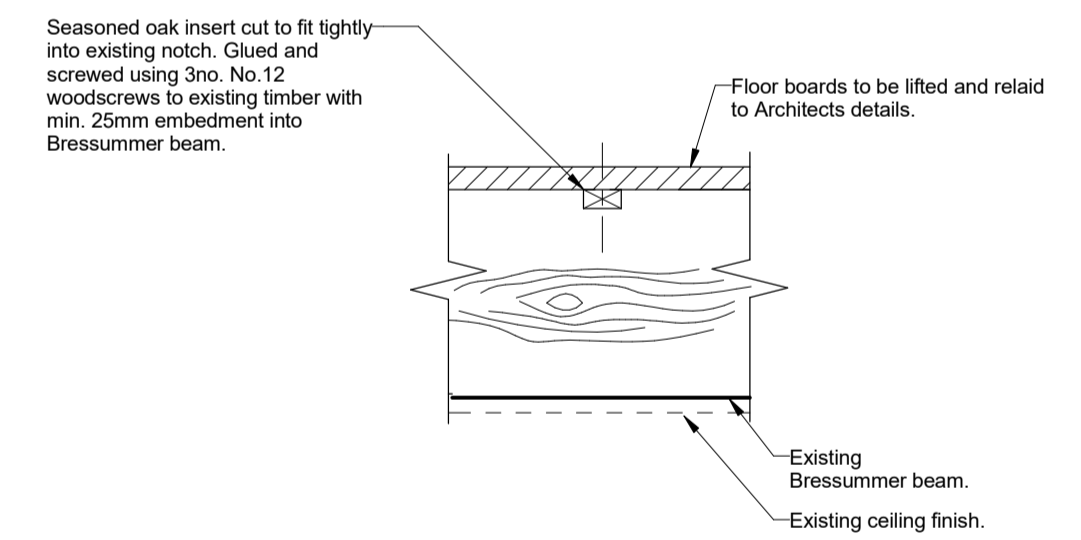
Detail 5
(Repair of Splits in Existing Bressummer Beams)

scale 1 : 10



Detail 6
(Re-support of Pulled Out Joist To Beam Connection)

scale 1 : 10



Detail 7
(Repair Of Notches To Bressummer Beam)

scale 1 : 10

- Prior to fixing oak insert**
1. Trim sides and base of existing notch to leave notch smooth, clean and rectangular. Existing notch not to be enlarged by 5mm in any direction.
 2. Line notch with approved weatherproof and boilproof (WBP) type glue. Glue to be used strictly in accordance with manufacturers recommendations.

REV	DATE	DESCRIPTION	BY	CHKD
A	03.08.16	Detail 1- PFC size revised.	DA	TP
-	28.07.16	First Issue	DA	TP

FOR TENDER



TITLE: Generic Details for Bressummer Floor Beam Repairs			
PROJECT: Project No:11581 Kidderpore Avenue			
SCALE: A1@	DATE: 06/29/16	DRAWN: Author	CHKD: Checker
DRG NO.	REV.		
9100-DRG-00YY-DE005	A		

Tully De'Ath
consultants

Engineering at its Best

T: 01342 828 000
E: info@tullydeath.com
W: www.tullydeath.com