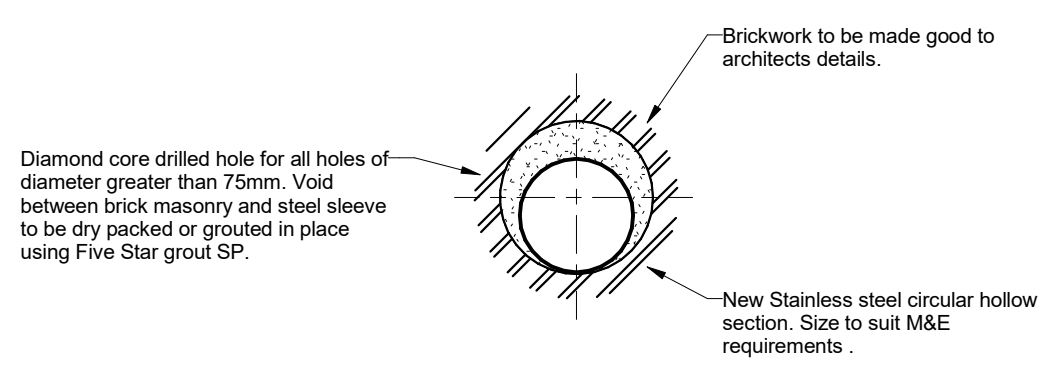
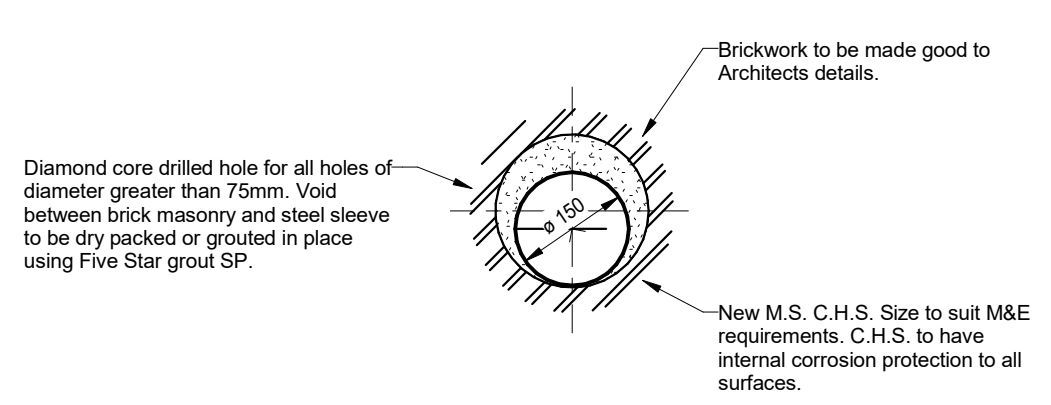


General Notes

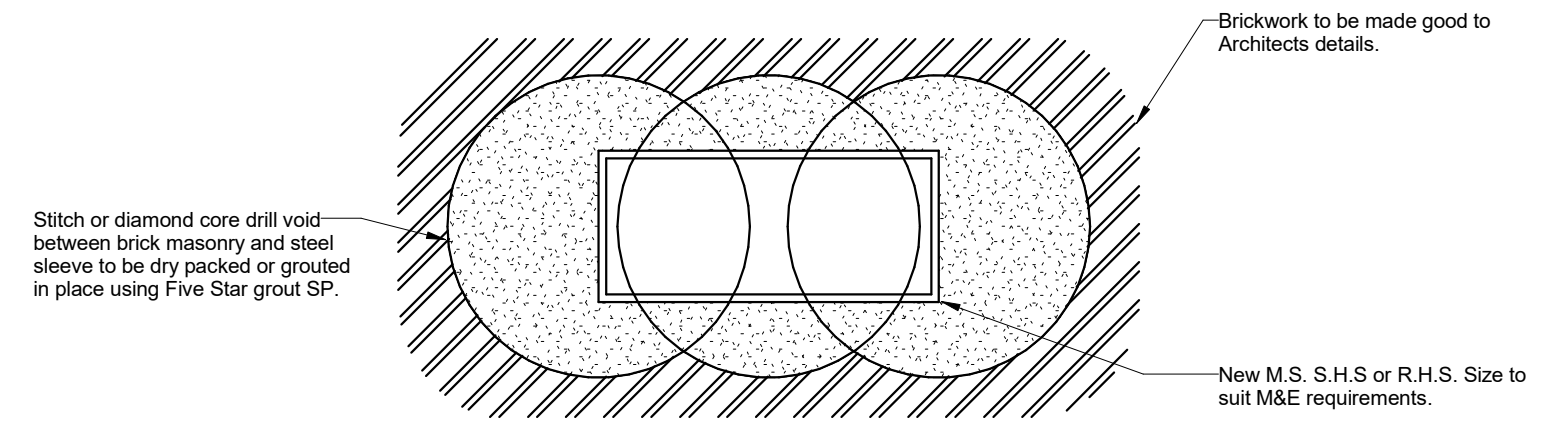
1. Drawings shall be referred to for structural work only unless otherwise stated and read in conjunction with Architect's, Service Engineer's and Sub-Contractor's drawings.
2. The Contractor shall check all levels and dimensions, any errors or omissions are to be reported at once to the Engineer.
3. For General Notes refer to no. 9100-DRG-99YY-GN002.



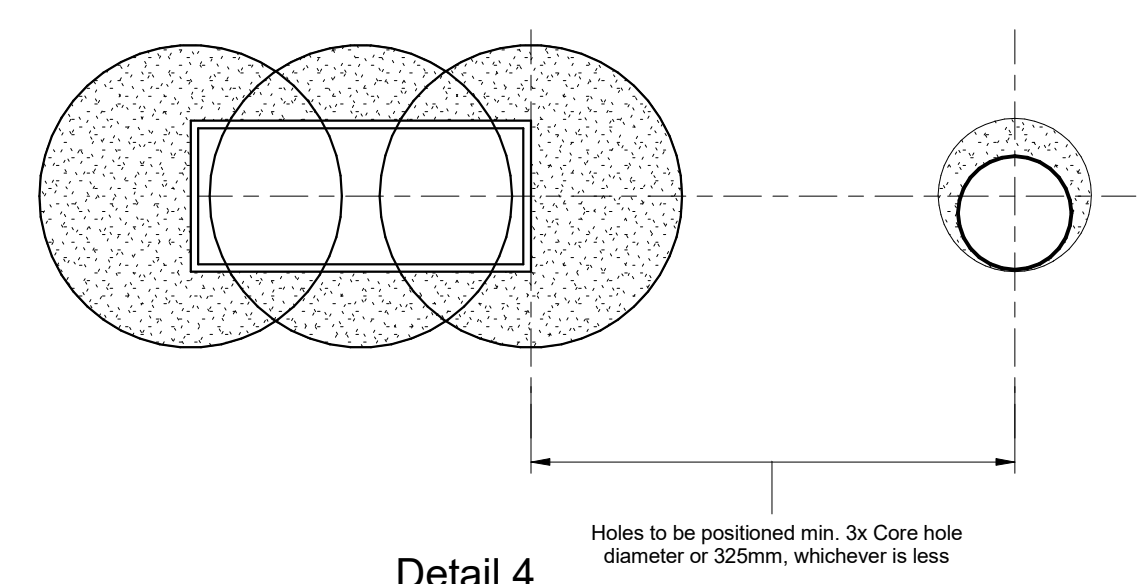
Detail 1
(Sleeved circular hole through external wall for holes greater than 75mm Ø and up to 150mm Ø.)
scale 1 : 10



Detail 2
(Sleeved circular hole through internal wall for holes greater than 75mm Ø and up to 150mm dia.)
scale 1 : 10



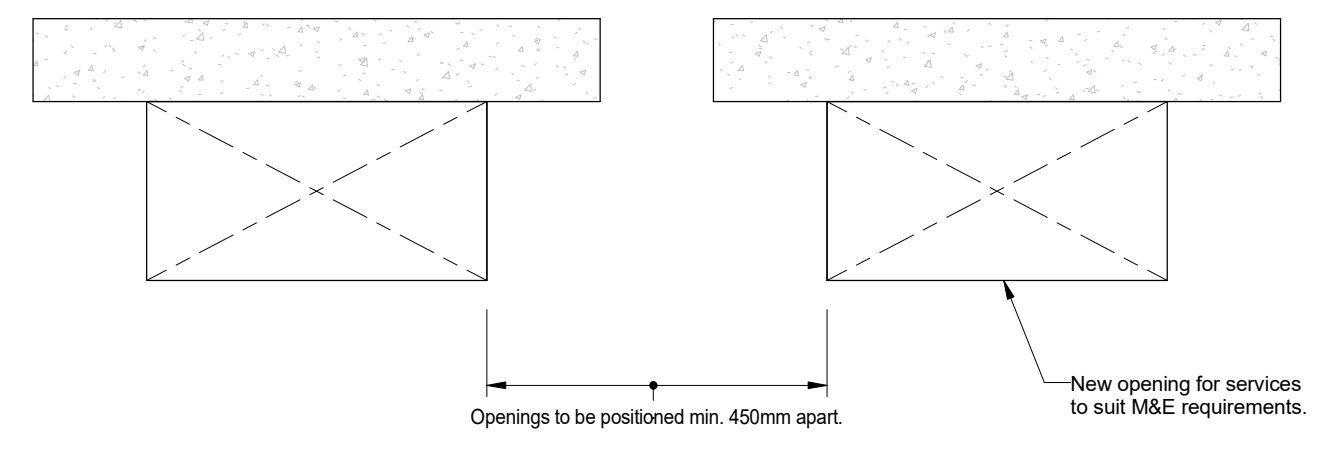
Detail 3
(Sleeved square or rectangular hole through internal wall up to 450mm Ø.)
scale 1 : 10



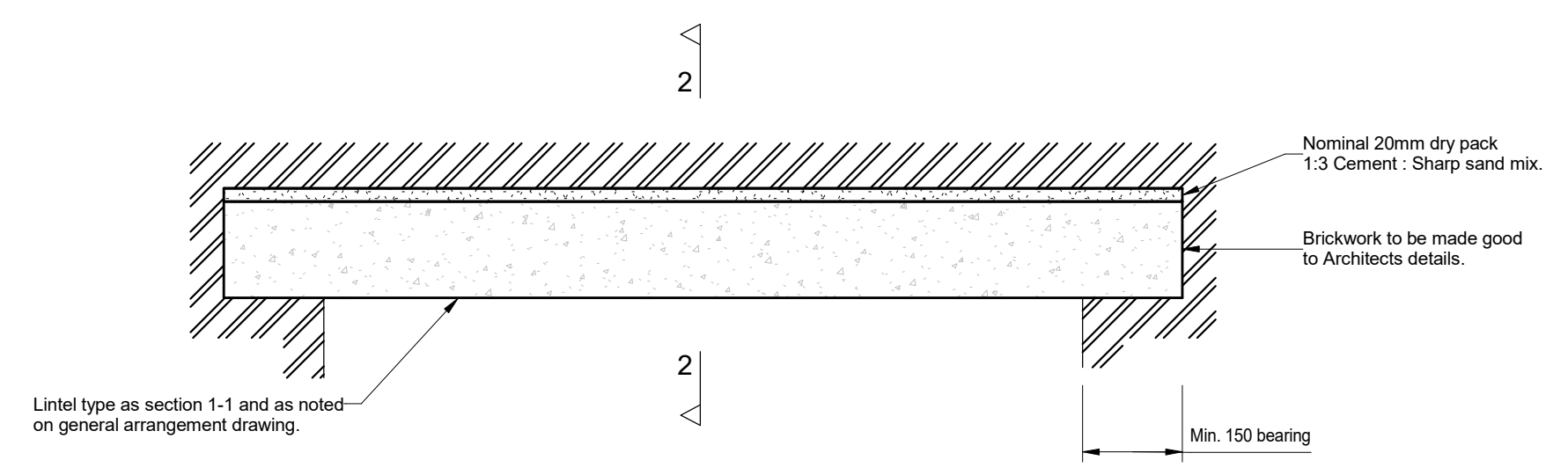
Detail 4
(Minimum spacing of sleeved holes)
scale 1 : 10

NOTE
REFER TO GENERAL ARRANGEMENT DRAWINGS FOR LOCATION OF NEW LINTEL.

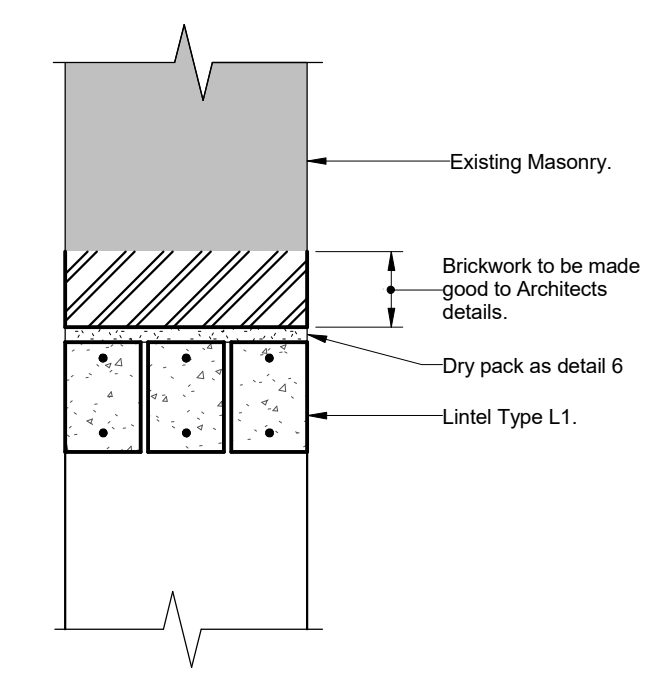
NOTE
REFER TO DRAWING No. 9100-DRG-GN-99YY-GN010 FOR LINTEL SCHEDULE.



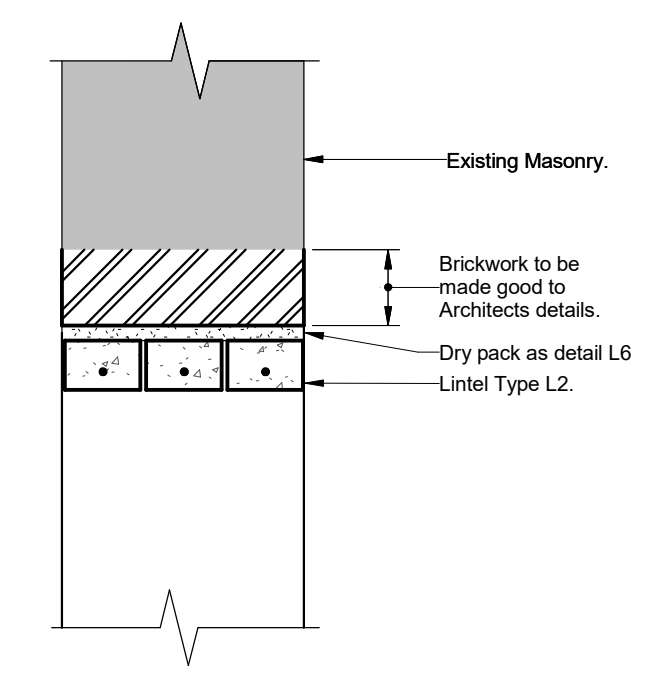
Detail 5
(Minimum spacing of lintel formed openings as details 6 to 10 for builderswork holes relating to new services)
scale 1 : 10



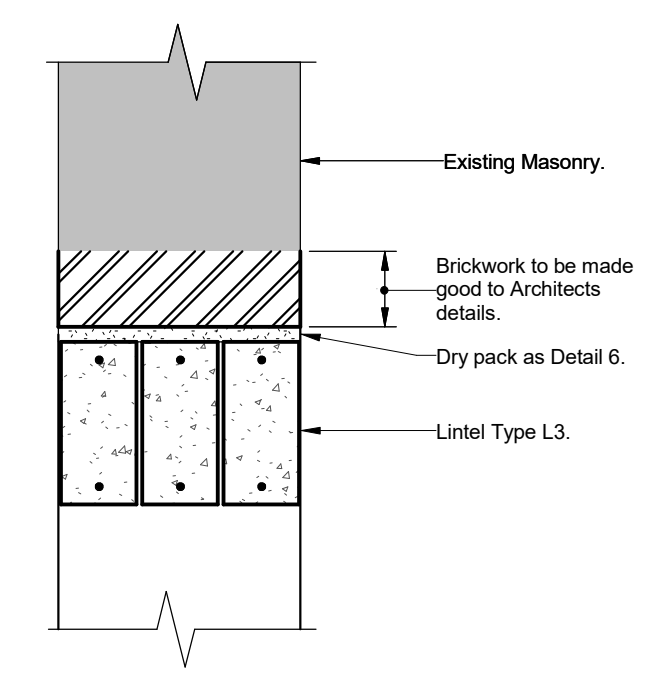
Detail 6
(Lintel Type L1) Elevation
scale 1 : 10



Section 1-1 (Lintel Type L1)
scale 1 : 10



Section 1-1 (Lintel Type L2)
scale 1 : 10

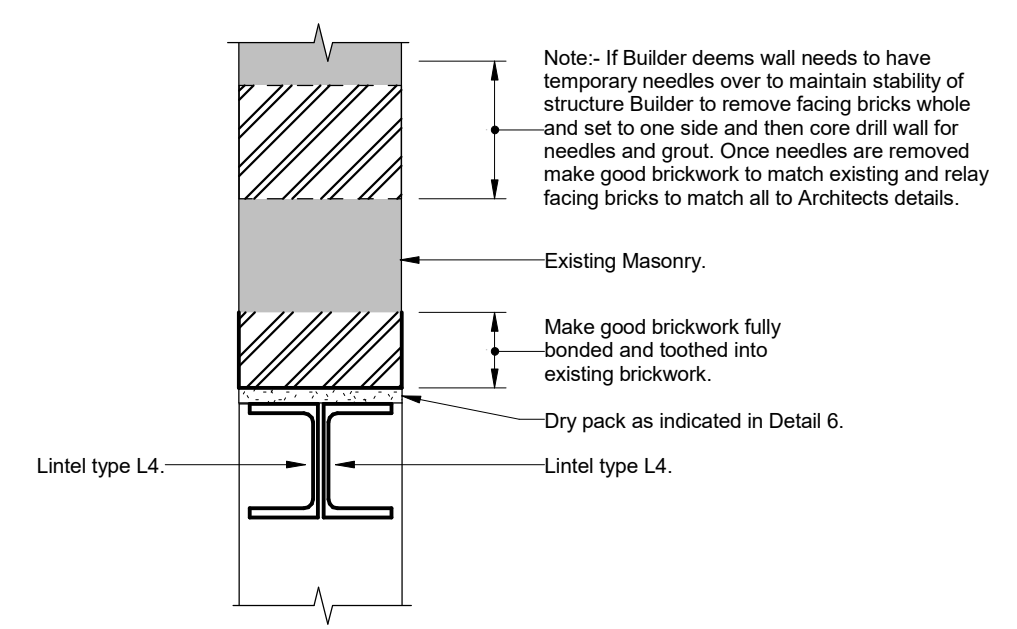


Section 1-1 (Lintel Type L3)
scale 1 : 10

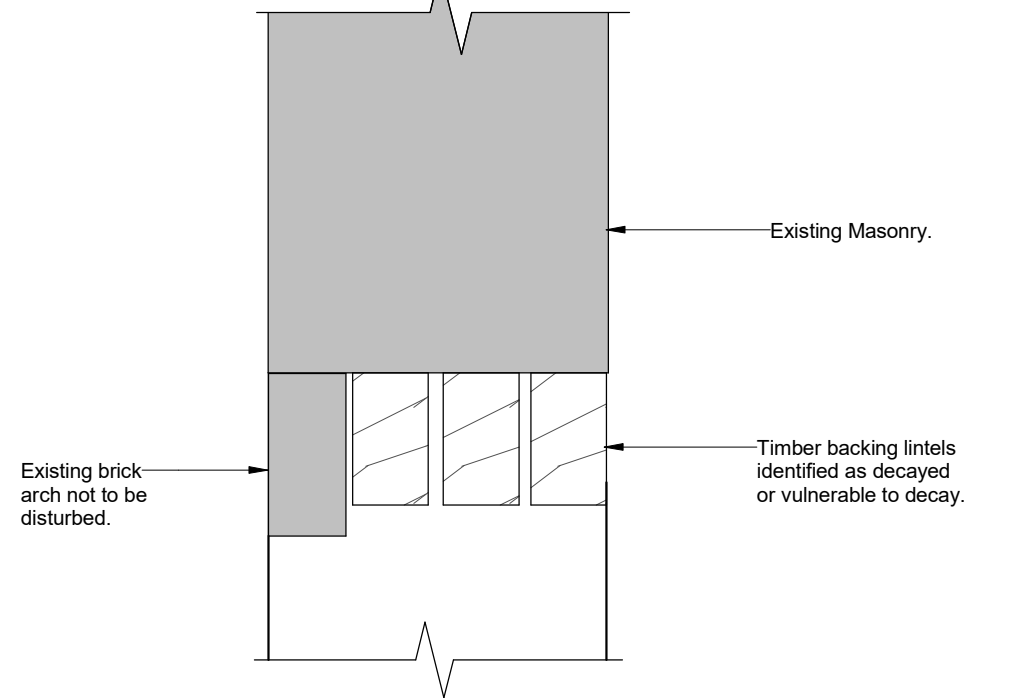
NOTE
IF AN ALTERNATIVE PROPRIETARY LINTEL IS PROPOSED BY CONTRACTOR HE SHALL SUBMIT DETAILS FOR COMMENT AT LEAST 10 WORKING DAYS BEFORE INSTALLATION. LINTELS RELYING ON COMPOSITE ACTION WITH MASONRY OVER ARE NOT STRUCTURALLY ACCEPTABLE.

REV	DATE	DESCRIPTION	BY	CHKD
A	03.08.16	Detail 9 Revised.	DA	TP
-	06.07.16	First Issue	SK	TP

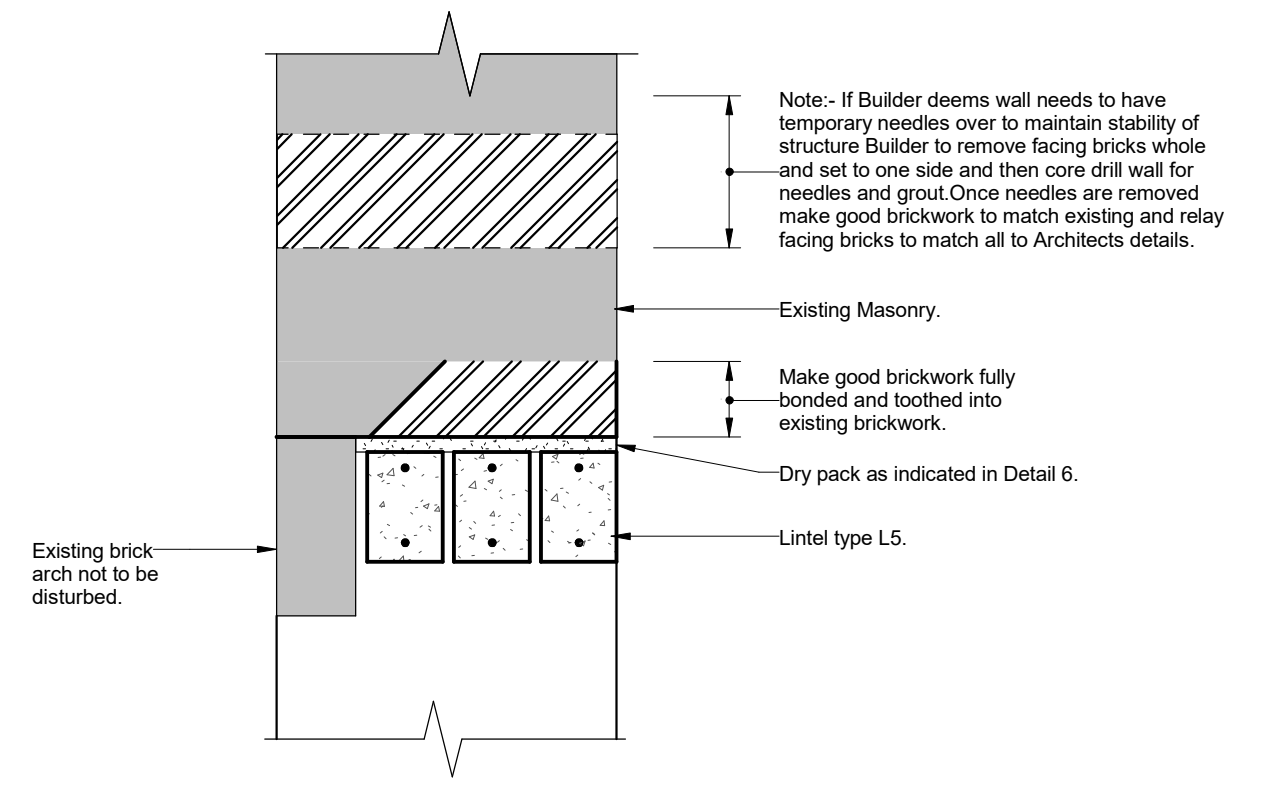
FOR TENDER



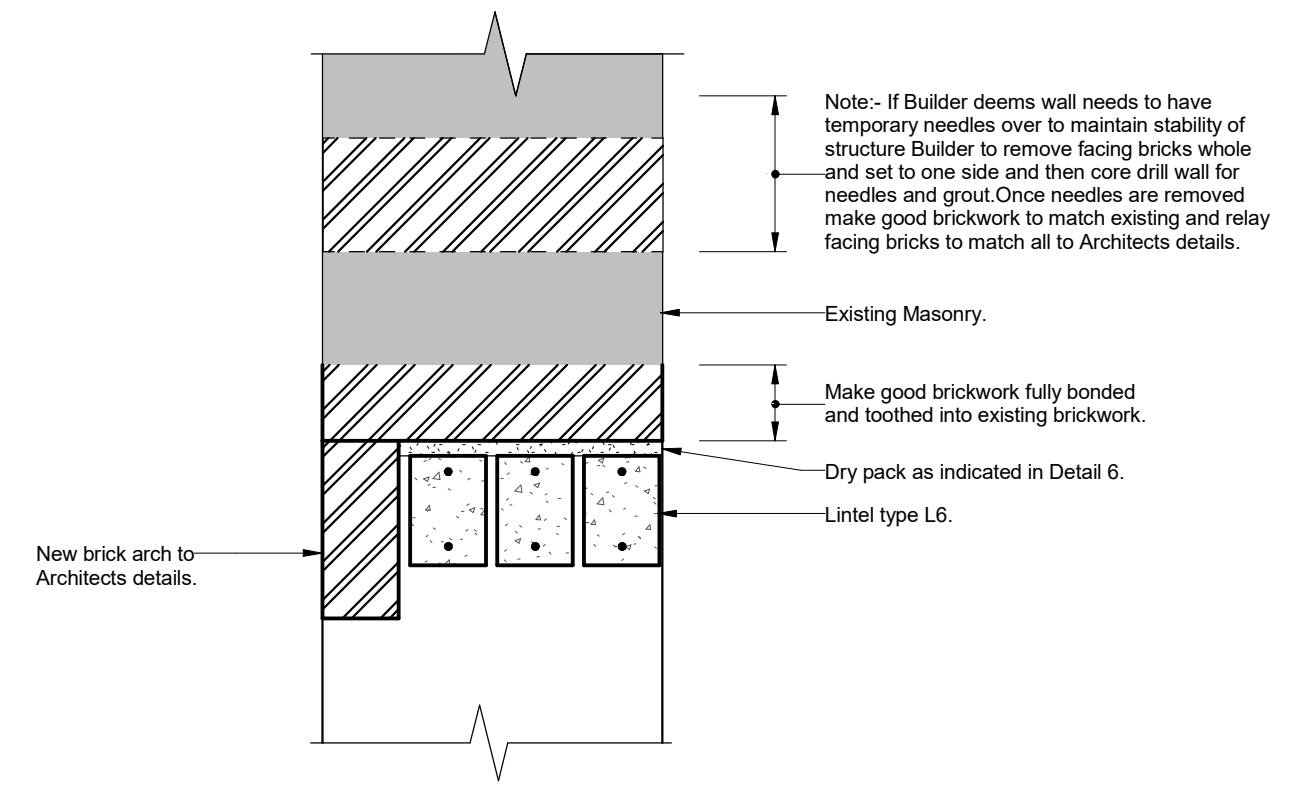
Detail 7
(Lintel Detail Type L4)
scale 1 : 10



Detail 8
(Lintel Detail Type L5 Existing Section)
scale 1 : 10



Detail 9
(Lintel Detail Type L5 Proposed Section)
scale 1 : 10



Detail 10
(Lintel Detail Type L6 Proposed Section)
scale 1 : 10

TITLE:
Generic Builderswork Details for New Services Wall Penetrations and Lintel Details

PROJECT:
Project No:11581
Kidderpore Avenue

SCALE: A1@ 1:10 DATE: July16 DRAWN: DA CHKD: AT

DRG NO. REV.

9100-DRG-00YY-DE001 A

