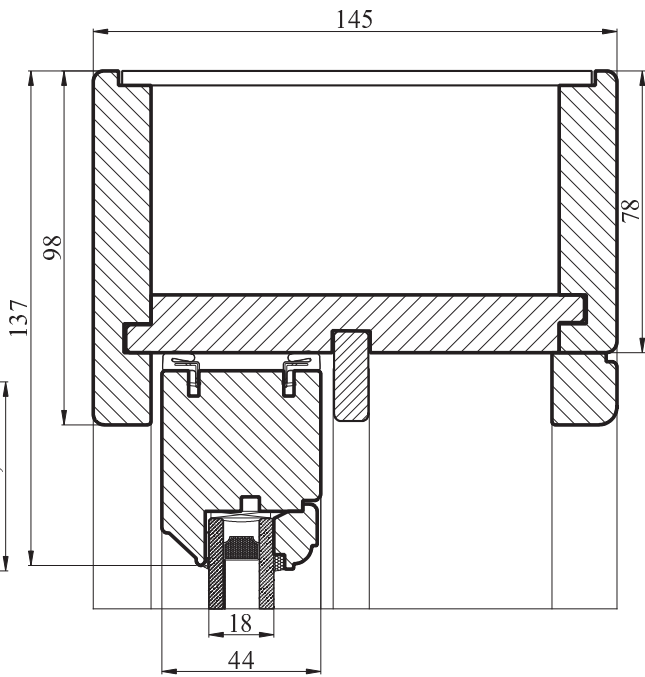
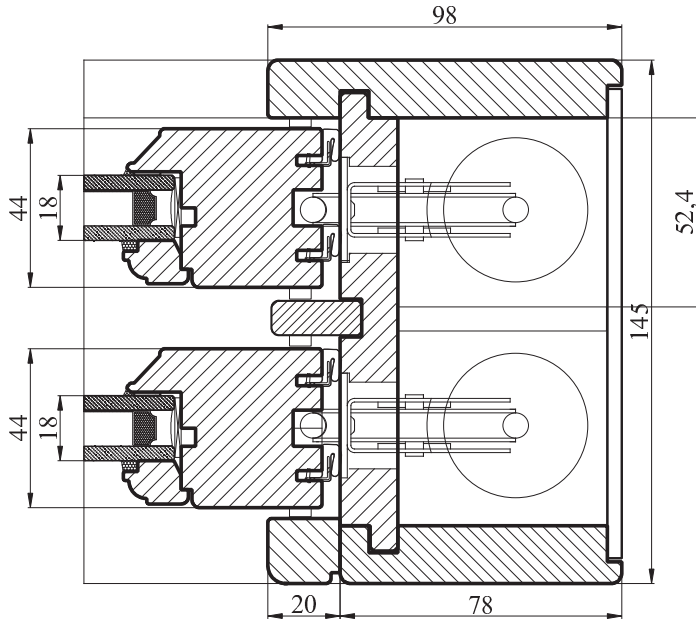


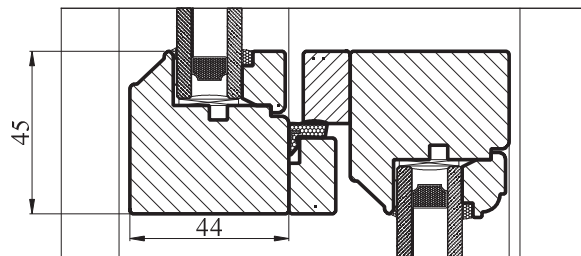
Section A-A



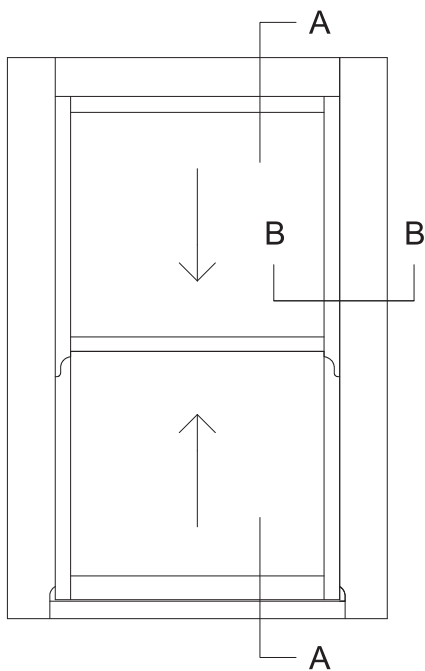
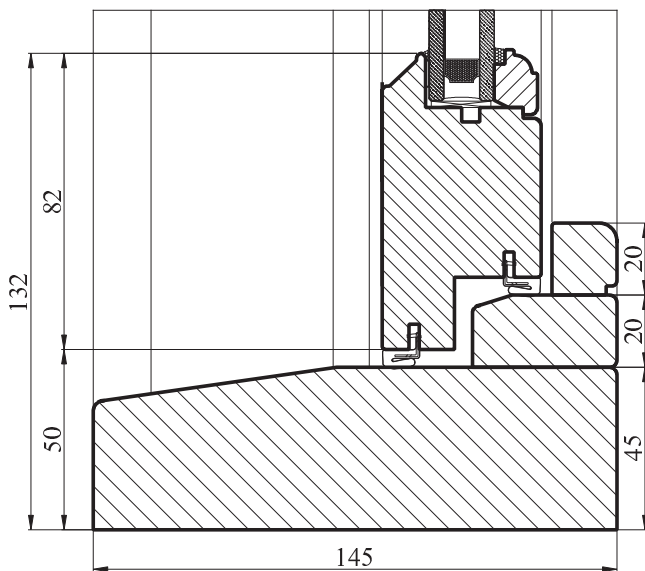
Section B-B



Section A-A



Section A-A



TRADITIONAL SLIDING SASH  
CORDS & WEIGHTS  
STANDARD

ALL DIMENSIONS IN mm  
GENERAL TOLERANCE +/- 0,5mm