


All operations to be verified on site by the Contractor before the start of any work. The Contractor shall be responsible for the safety of all sub-contractors.


Report any discrepancies to the Contract Administrator at once.

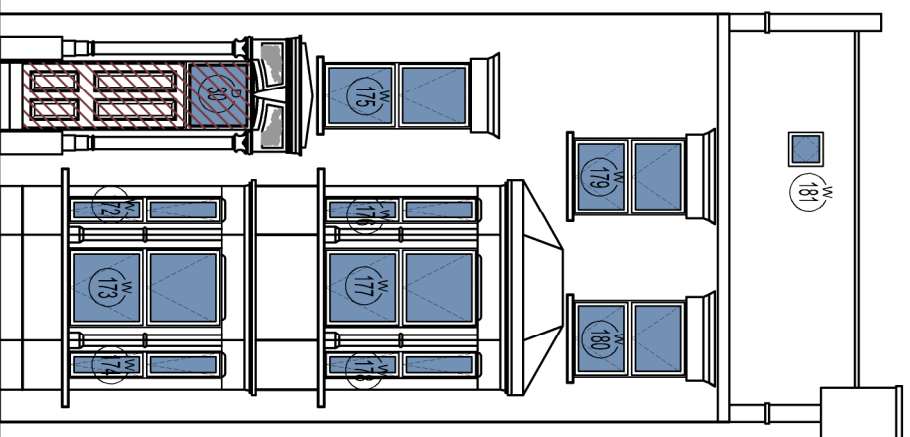
This drawing is to be read with all relevant Architects and Engineers drawings and other relevant information.

© Ingleton Wood LLP

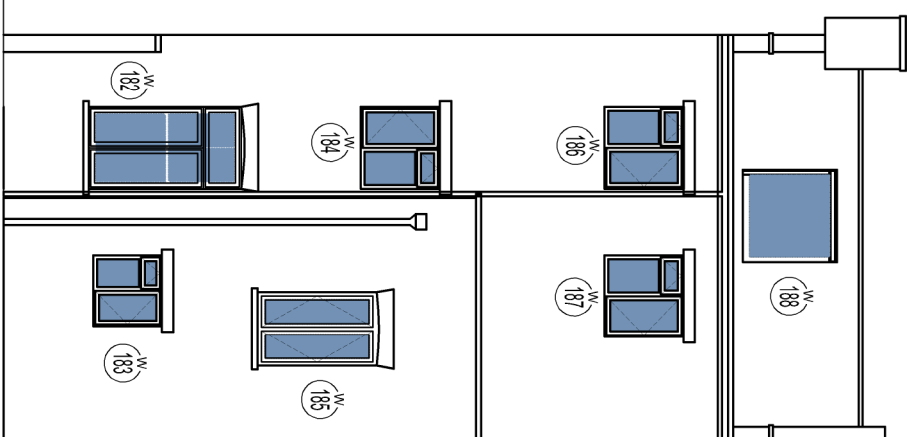
LEGEND: DO NOT SCALE

 Hatch indicates extent of windows/doors being replaced.

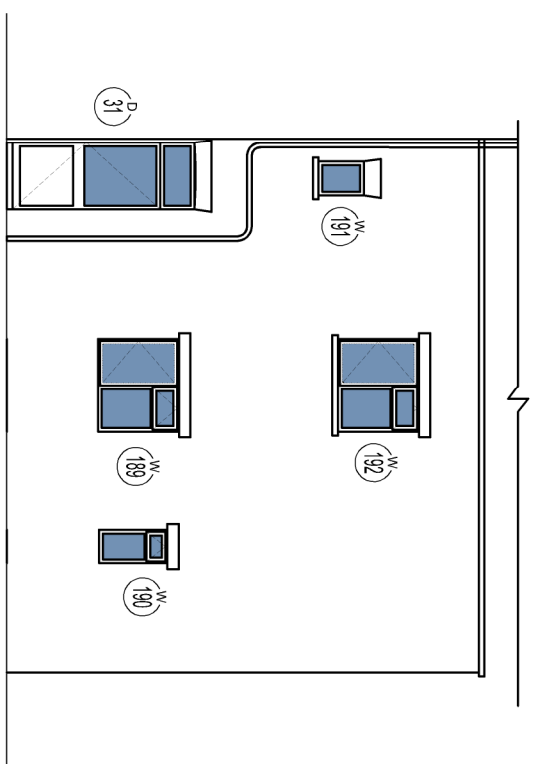
 Hatch indicates extent of windows/doors not included in the scope of works.



South Elevation



North Elevation



East Elevation

Revision	Date	Description	Dwn	CHK
A	15.08.16	Window Penetration Dimensions	HT	-



Vision, form and function

Billiclary
Director
Colchester
London
Norwich

Colchester
27A
Colchester Business Park
Colchester CO1 7YD
1: 0206 29270
www.ingletonwood.co.uk

Project
116 Mansfield Road
Camden
London
NW3 2JL

Drawing Title
Proposed Window Elevation

Client
One Direct (One Housing Group Ltd)

Drawn	Checked	Date	Scale	Printed Size
HT	AM	18.07.16	1:100	A3

Job No.	Draw No.	Stage	Revision
500121	504	Planning	A

116 Mansfield Road @ 1:100

