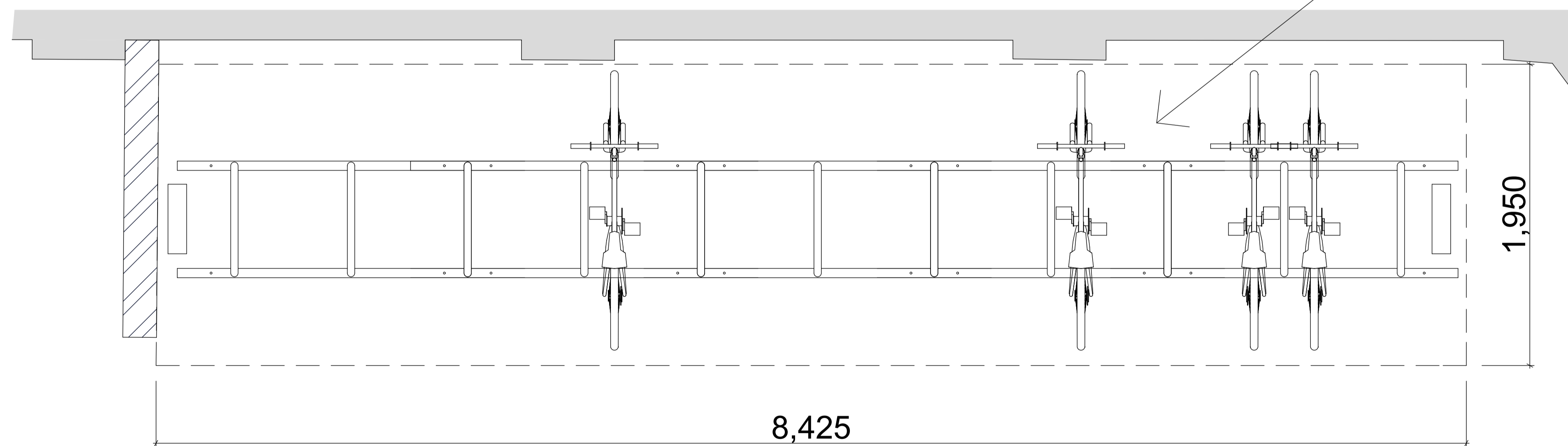




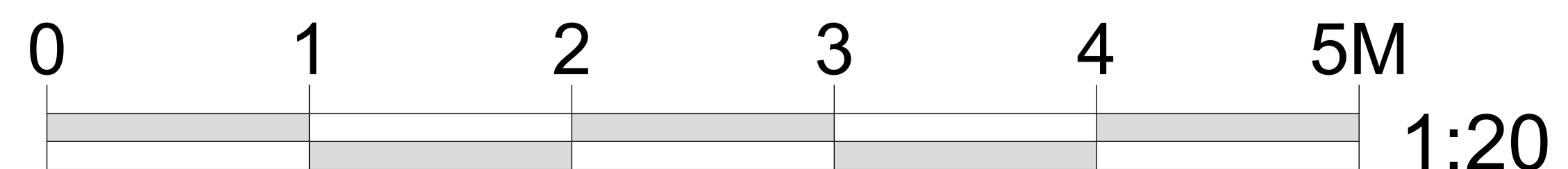
CYCLE STORAGE UNIT (10 CYCLE UNIT SHOWN)

Secure and enclosed
cycle store - detail to
be agreed via condition.



22 COVERED CYCLE STANDS

Height: 2194mm (h-front) 1513 (h-rear)



REV A 18/08/2016
- NOTE ADDED TO CYCLE STORE.

PLANNING



SHAUN KNIGHT
ARCHITECTURE

40 FALCON ROAD, HAMPTON
TW12 2RA
07824 815 258M
0208 979 4949T
E: skarchitecture@hotmail.co.uk
W: shaunknightarchitecture.com

PROJECT: 36 LANCASTER
GROVE

TITLE : CYCLE
STORAGE

Date: DECEMBER 2015

Scale: 1:20 AT A1 Drawn: SDK

DRAWING NUMBER: 070A