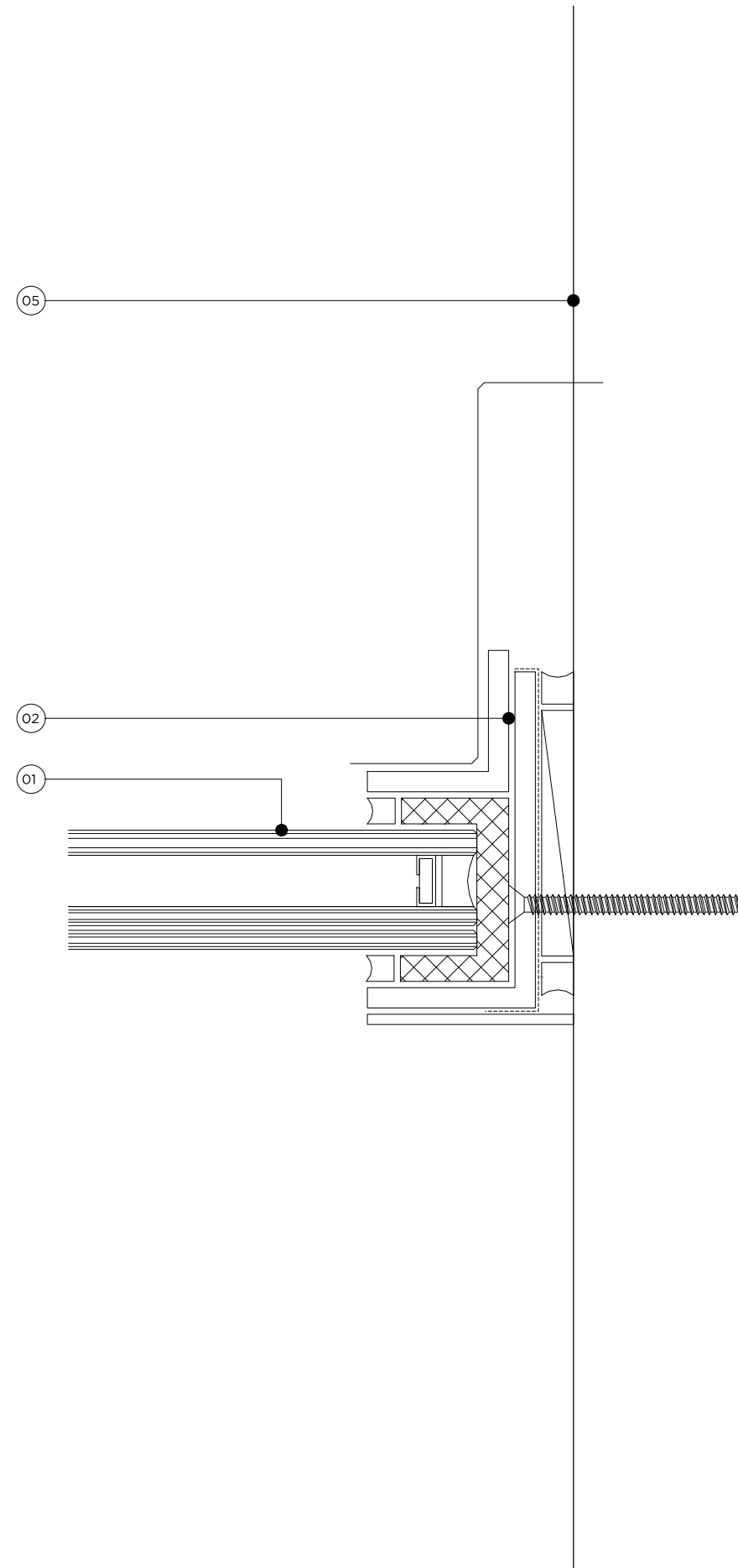
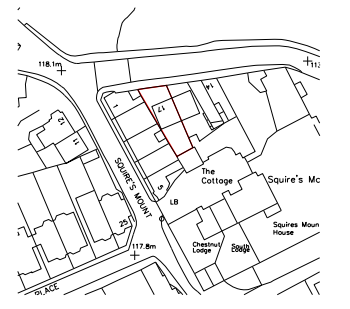


Detail 01 - Connection to Boundary Wall



Detail 02 - Connection to New Wall

Key Site Plan 1:2500



Detail Notes:

- 01 Proposed Glazed Extension
- 02 Proposed Glazed Extension Fitting
- 03 Existing Boundary Wall
- 04 Proposed Internal Independent Wall Lining
- 05 Proposed External Wall

Rev A Not Issued Issued for xxxxxx

<h1>PLANNING</h1>	
Project No.	16006
Client	Mr. & Mrs. A. Saleh
Date	July 2016
Scale	1:2 @ A3
Project	17 East Heath Road, NW3
Drawing Title:	Proposed Glazed Extension Details
Drawing No.	P23
Rev.	-
Drawn	Approved
LG	RD
Signed	

**Marek  
Wojciechowski  
Architects**

66-68 Margaret Street W1W 8SR T. 020 7580 9336 www.mwa.co.uk

Copyright Marek Wojciechowski Architects. No implied license exists. This drawing should not be used to calculate areas for the purposes of valuation. All dimensions to be checked on site by the contractor and such dimensions to be their responsibility. Do not scale drawings. All work must comply with relevant British Standards and Building Regulations requirements. Drawing errors and omissions to be reported to the architect.