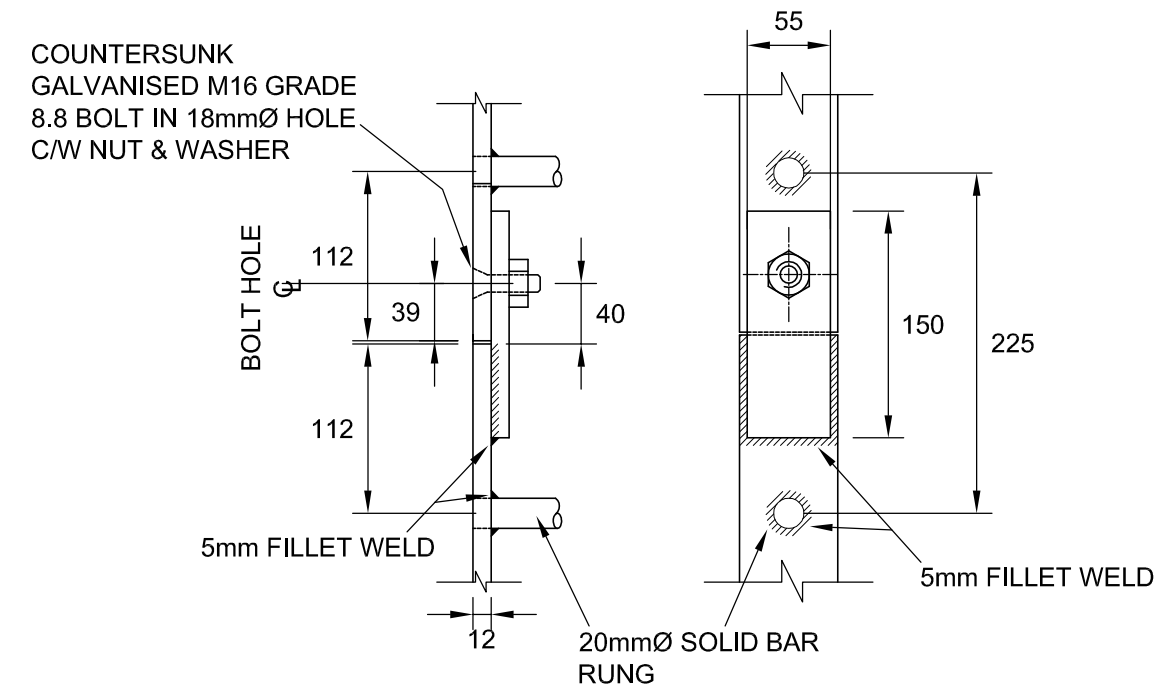
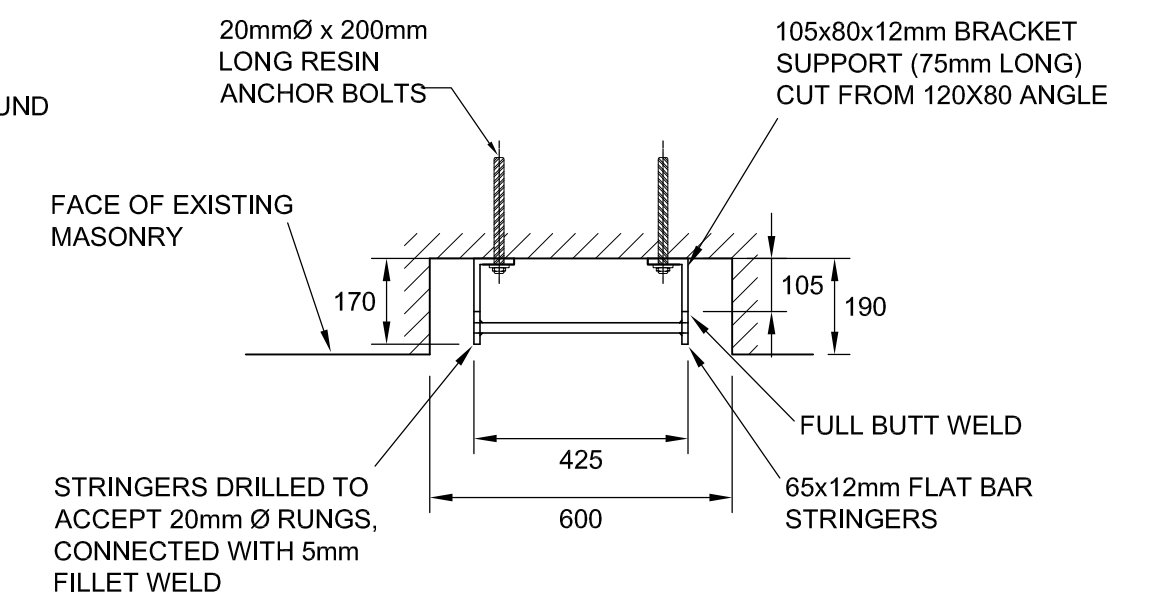


**TYPICAL LADDER SECTION & ELEVATION**  
Scale 1:20



**CONNECTION BETWEEN LADDER SECTIONS**  
Scale 1:5



**PLAN ON RECTANGULAR RECESS**  
Scale 1:15

REVISIONS	
DESIGN OFFICE	Canal & River Trust Technical Directorate Fearn's Wharf Neptune Street Leeds, LS9 8PB

TITLE

**STANDARD DRAWINGS  
LOCK LADDER AND RECTANGULAR  
RECESS DETAILS**

CANAL & RIVER TRUST COPYRIGHT RESERVED



SCALE @ A3 **As shown**

DRG. No. **STD 04-03**