



Schwegler 1B Bird box with 32mm Entrance hole  
Wood concrete material  
Attached to tree with Aluminium nail or hung from branch

1 Bird Box - House Sparrows  
Scale: NTS



SCHWEGLER Hedgehog Dome encourages Hedgehogs to settle in a particular area and provides year-round shelter, including during the winter months.

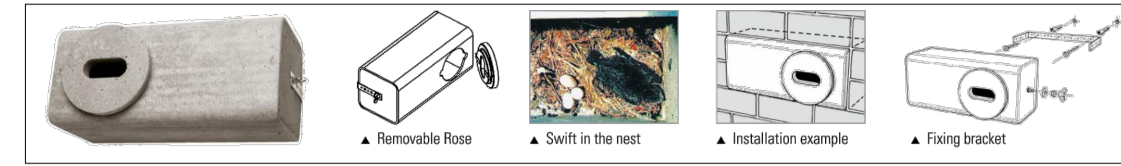
Siting: Protected from wind and rain. Avoid placing the Dome where the animals have to cross a lawn because these are mainly damp at night.  
Nesting material: Fill with hay (supplied with the dome) alternatively use dry leaves and straw, as well as cut up newspaper and wood shavings.  
Material: Insulating SCHWEGLER wood-concrete.  
Colour: Brown protective coating for a balanced temperature.  
Entrance: 11 x 12 cm.  
Internal dimension: 144 cm.  
External dimension: 148 cm.  
Height: 30.5 cm.  
Weight: approx. 17 kg.

4 Hedgehog Dome  
Scale: NTS



Left: 230 litre and Right: 1000 litre capacity water butts

7 Water Butts  
Scale: NTS

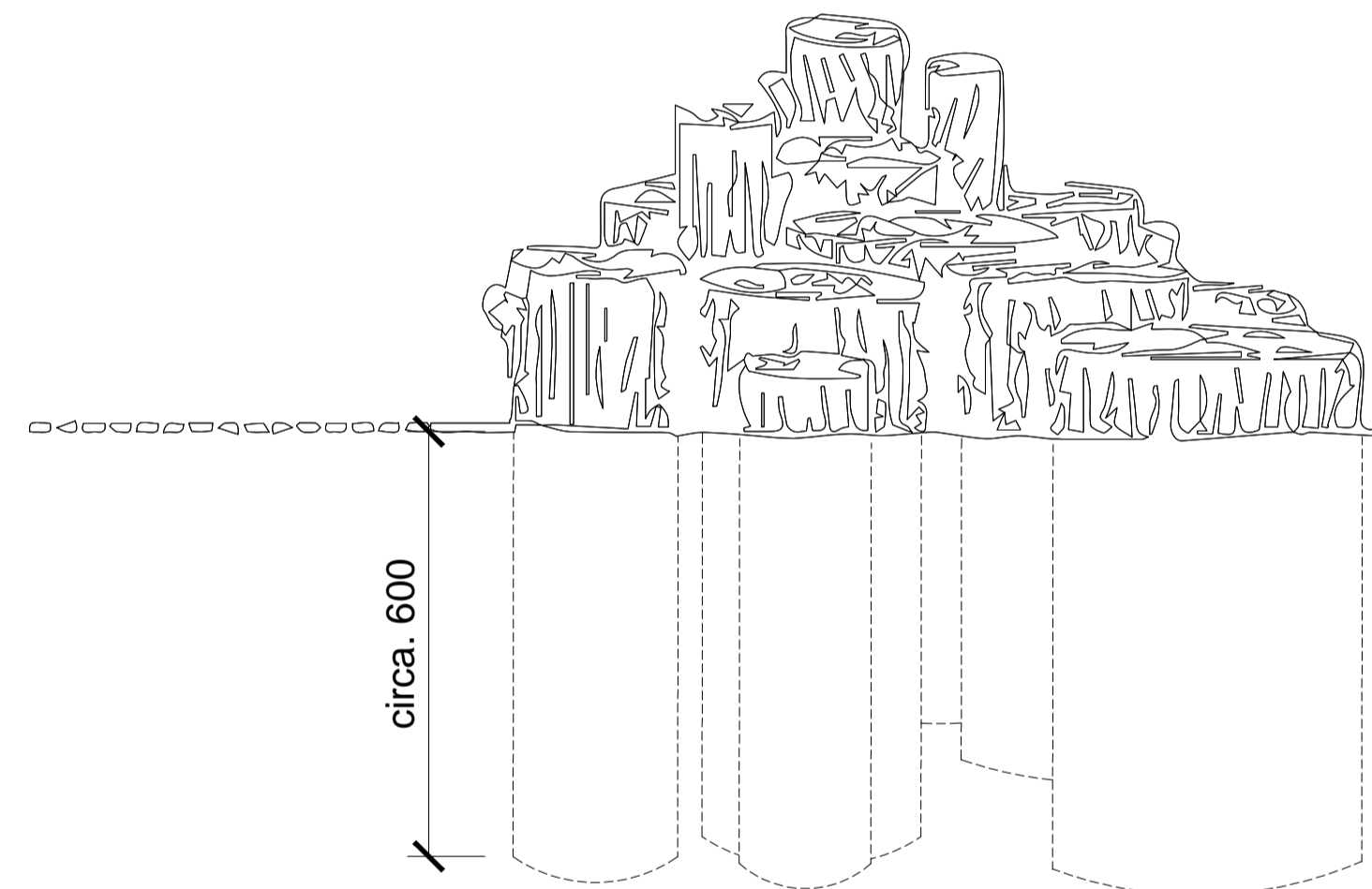


SCHWEGLER swift nest box, type no. 17  
material: Certified, asbestos-free, vegetable fibre-reinforced concrete and SCHWEGLER wood-concrete. Galvanised fixing elements.  
installation: The entrance should be a minimum height of 6 to 7 m above the ground or protruding parts of buildings. Ensure that there are no protruding parts, roof parts, pipes, etc. below the entrance, as Swifts approach and fly away very steeply.  
suitable positions: On external façades or under the roofs of all kinds of buildings.  
cleaning and inspection: The Type 17 boxes can be cleaned after the entrance rose has been removed. To this end, the entrance is turned through 90° (entrance hole vertical) and is removed. But in general it is not necessary to clean the boxes if they are used by Swifts.  
colour matching: Type 17 nesting aids are supplied in natural grey. They can be matched to the background colour by painting them with breathable paint.

2 Swift - Brick  
Scale: NTS

Large logs (10-50cm diameter) of hardwood (e.g. oak, beech, sycamore, ash) with bark still attached sunk c60cm into the ground, in partially shaded areas.

Ensure that a buffer zone is managed around large dead wood so that the soils and vegetation are protected as much as possible from disturbance. Ideally this should not be cut between May and September.



5 Stag Beetle Logger  
Scale: NTS

3 Bat Box  
Scale: NTS



Schwegler 1FF Bat box with 32mm Entrance hole  
A crevice roost that is open at the bottom. It is maintenance-free, i.e. it does not have to be cleaned. Because the flat box is open at the bottom, droppings can fall out.  
The Flat Bat Box also has a large inspection flap that can be opened. The 1FF has been fitted with a roughed wooden back panel, made of very resistant wood, to level out temperature fluctuations in the spring and autumn.

With central fixing a nail or screw is required to fix the box securely in position.  
A radial recess at the rear that enables good and steady installation on tree trunks.  
The vertical and horizontal narrowing of the box makes it very suitable for all crevice-inhabiting Bat species. It offers the animals optimum interior depth wherever it is hung up, i.e. back contact on and with the wood or wood-concrete on the inside.  
Supplied with Hanger and Aluminium Nail.

3 Bat Box  
Scale: NTS



An untreated wooden box that has an overhanging lip to keep rain/snow out. An assortment of twigs, wood chips, rolled up paper, leaves, or hollow reeds or bamboo, thin cardboard tubing, and blocks of wood with holes drilled into them.

Varying tube sizes helps different insect species find homes in among the niches

Pieces of wood or branch with drilled holes, making the holes different sizes to suit different insects. Fit the canes and wood into the box.

A Drilled a hole into the back or the base of the box and fix it on to a fence or wooden post, using a self-tapping screw.

6 Bug Hotel  
Scale: NTS

Note: Refer to SINC Management and Education plan for Habitat management prescriptions  
To be read in conjunction with Drawing 9300-DRG-PE007 Habitat Location Plan

Notes

- This drawing is the property of fabrik ltd. It must not be copied or reproduced without written consent.
- Only figured dimensions are to be taken from this drawing. All contractors must visit site and be responsible for taking and checking all dimensions related to the works shown on the drawing.

MOUNT ANVIL

NO COMMENT	A	STATUS A
MINOR COMMENTS	B	STATUS B
REVISED DRAWING TO FOLLOW	C	STATUS C-REJECTED
DATE:		
REVIEWED BY:		

-	04.08.16	Issued for planning	BC
-	14.07.16	Issued for comment	HvK
No.	Date	Reason	Name
Revisions			

External References:

- 
- 
- 

fabrik

Lenten House  
16 Lenten Street  
Alton  
Hampshire  
GU34 1HG

T : 01420 593250  
E : alton@fabrikuk.com  
W : www.fabrikuk.com

Project

Kidderpore Avenue, Hampstead  
for Mount Anvil

Drawing

Typical Habitat Enhancement Proposal Details

Scale	Date	Checked	Drawn
NTS @ A1	July '16	NB	HvK

Drawing No.	Revision
9300-DRG-DE017	P01

<input checked="" type="checkbox"/> Preliminary	<input type="checkbox"/> Issued for Design/Information
<input type="checkbox"/> Issued for Planning Approval	<input type="checkbox"/> Issued for Tender
<input type="checkbox"/> Issued for Construction	<input type="checkbox"/> As Built

Drawing sheet size - A1

Copyright Reserved ©