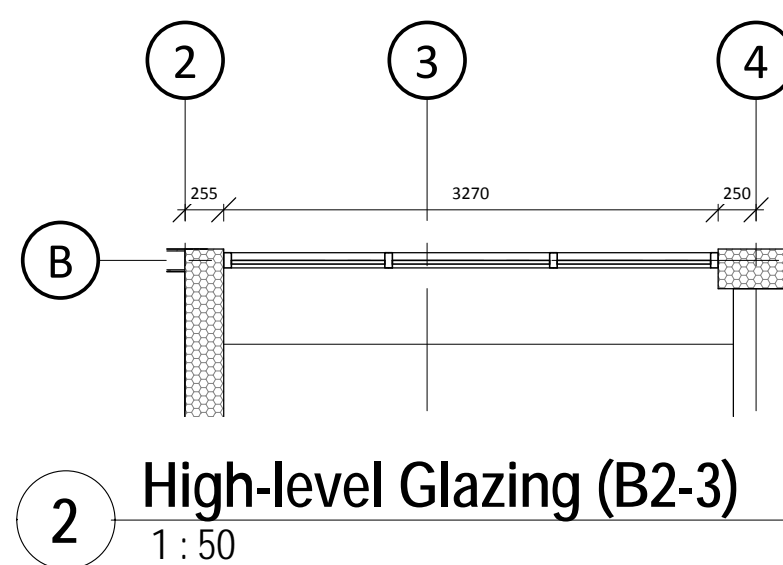
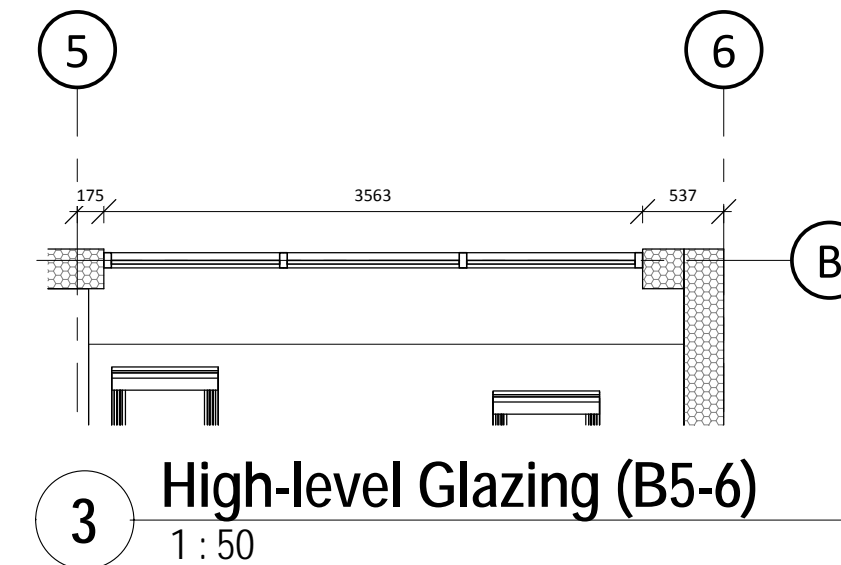


1 Roof Level Plan
1 : 50



2 High-level Glazing (B2-3)
1 : 50



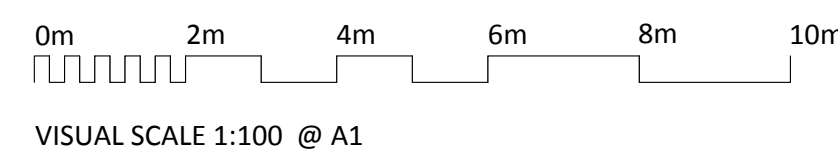
3 High-level Glazing (B5-6)
1 : 50

NOTES

- Do not scale from this drawing.
- Check all dimensions on site.
- Site levels to be read in conjunction with topographical survey.
- Subject to site inspection.
- This drawing is to be read in conjunction with all other contract/tender documentation (as applicable) and all documents prepared by other consultants.
- In accordance with third party agreements.
- Refer to area schedule.

© Copyright Reserved. ColladoCollins Partners LLP

Rev	Notes	Date	By	Auth
C1	Construction Issue	16.01.14	CS	DG



ColladoCollinsArchitects

17-19 Foley Street
London W1W 6DW
T 020 7580 3490
info@colladocollins.com
www.colladocollins.com

Date: 08/26/15
Drawn By: Author
Checked By: Checker
Scale @ A1: 1 : 50
Scale @ A3:
CAD File No:

C:\Revit_Locall\12041_Museum House_CENTRAL_c.stanforth.rvt

Devonshire Metro Ltd.
Museum House, 25 Museum Str
PROPOSED
Roof Level
CONSTRUCTION
12041 - - 20-106

C1
Revision