



Store Name: London, 275 Grays Inn Road  
Store No: 4290  
Futurama W.O: 12759  
Store Type: On The Go - Premium  
Programme: Roll Back  
Address: 275 Grays Inn Road  
London  
WC1H 8BD

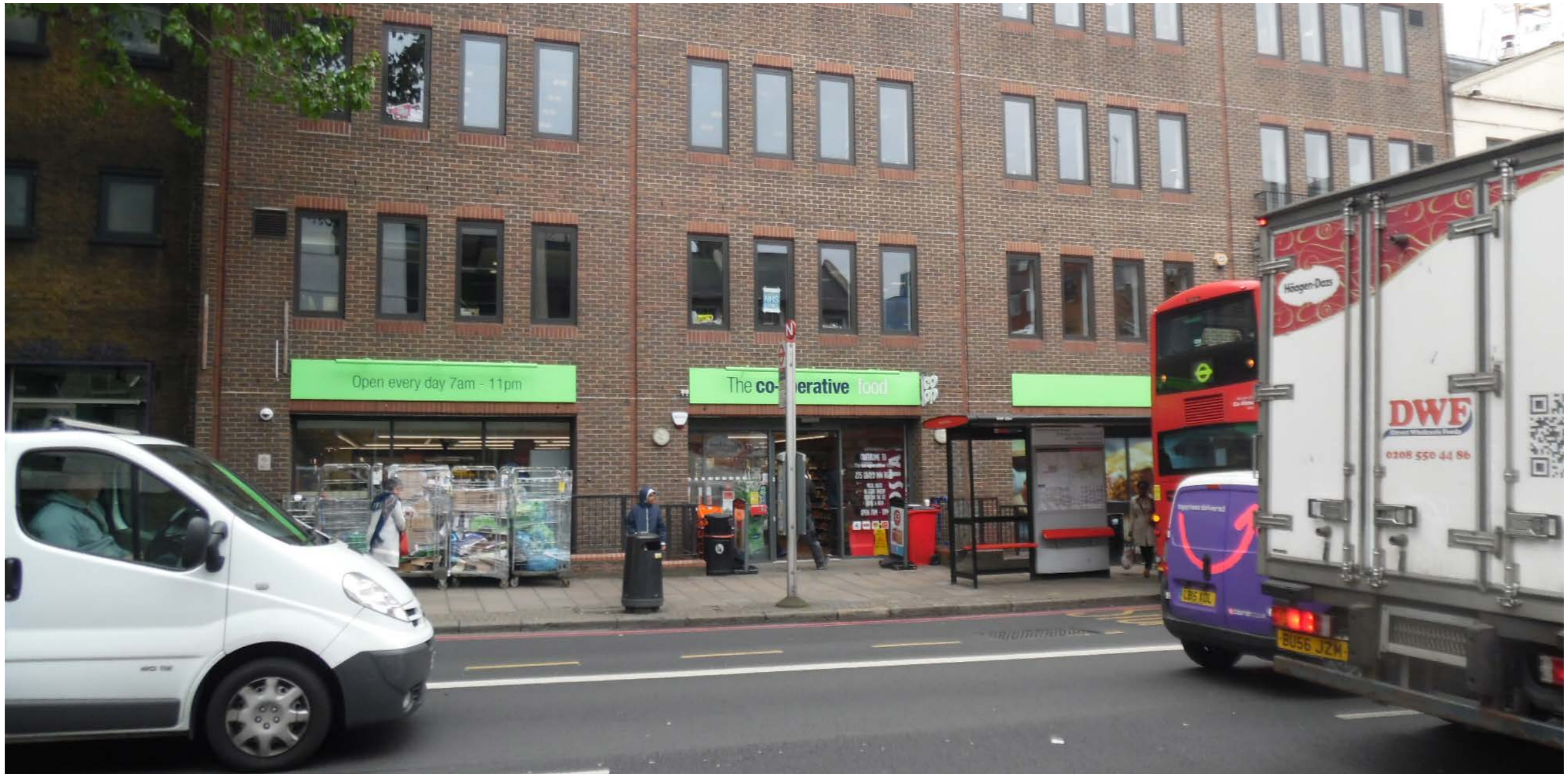
CAD ref:

Revision:	10/06/16 - KA - Original Scheme
Rev 1	IS - slats added
Rev 2 (Planning)	01/08/16 - TH - Changed post code, corrected fascia HAGLs, corrected sign references, removed ATM projector (Not required)
Rev 3 (Planning)	10/08/16 - TH - Marked items not required for planning approval in red

delivering  
branded  
environments™



Telephone: 0113 270 5595	Olympia House Lockwood Court Middleton Grove Leeds LS11 5TY United Kingdom
Facsimile: 0113 277 1143	
E-mail: postbox@futurama.ltd.uk	



Existing - Elevation 1

Store Name: London, 275 Grays Inn Road  
Store No: 4290  
Futurama W.O: 12759

Telephone: 0113 270 5595  
Facsimile: 0113 277 1143  
E-mail: postbox@futurama.ltd.uk

Olympia House  
Lockwood Court  
Middleton Grove  
Leeds  
LS11 5TY  
United Kingdom

delivering  
branded  
environments™





Photos of store

Store Name: London, 275 Grays Inn Road  
 Store No: 4290  
 Futurama W.O: 12759

Telephone: 0113 270 5595  
 Facsimile: 0113 277 1143  
 E-mail: postbox@futurama.ltd.uk

Olympia House  
 Lockwood Court  
 Middleton Grove  
 Leeds  
 LS11 5TY  
 United Kingdom

delivering  
 branded  
 environments™





Areas highlighted in red are for production/client only



Proposed Elevation 1  
Scale 1:50 @A3

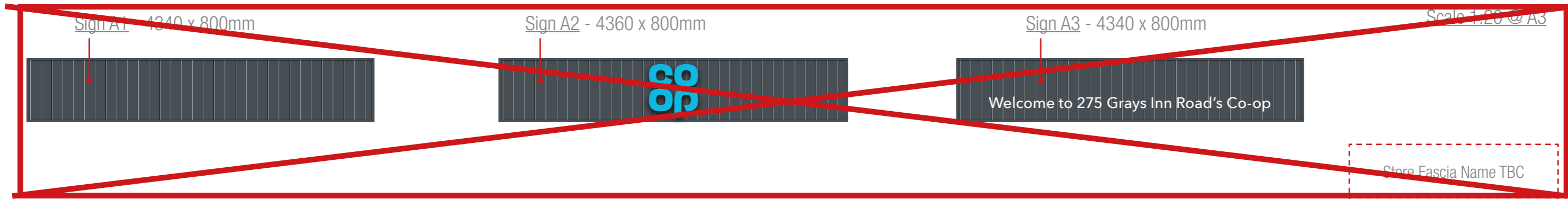
Store Name: London, 275 Grays Inn Road  
Store No: 4290  
Futurama W.O: 12759

Telephone: 0113 270 5595  
Facsimile: 0113 277 1143  
E-mail: postbox@futurama.ltd.uk

Olympia House  
Lockwood Court  
Middleton Grove  
Leeds  
LS11 5TY  
United Kingdom

delivering  
branded  
environments™





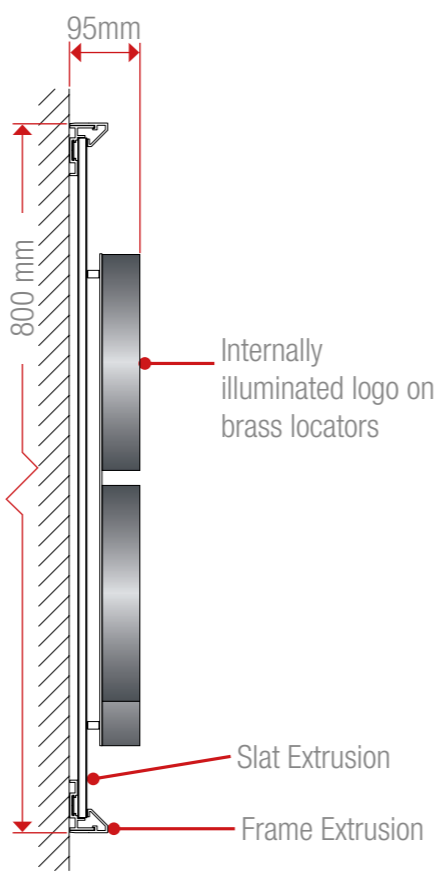
Sign A Specifications:

Fascia (A1, A2, A3)  
 Aluminium slat fascia to suit site conditions.  
 Fascia constructed from individual Aluminium extrusions. Perimeter support extrusion fixed to the building substrate with suitable fixings, Aluminium vertical slats mounted and fixed to the support extrusion and trimmed around the perimeter with a chamfered trim.  
 Slat and trim to be finished Dark Grey Wood effect:  
 Decoral powder coating: 8G-940-A005 (lab code FF-714/38)  
 Decoral sublimatic Film: 2217/19 L.  
 (CFP-EX-I/M & CFP-EX-G/DG & CFP-EX-H/DG & CFP-EX-A/DG)

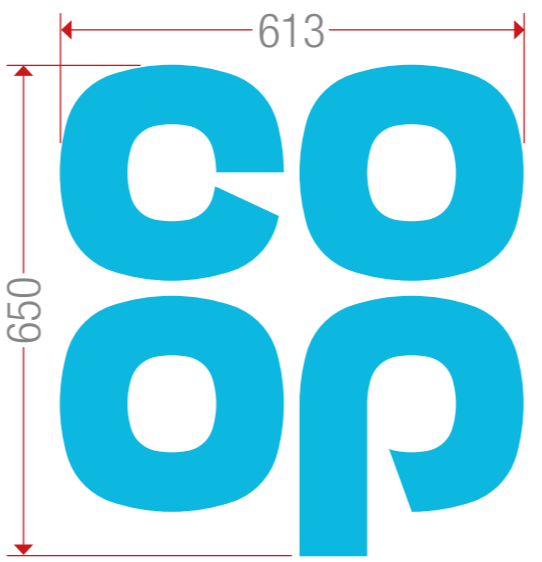
Logo (A2)  
 650mm Single sided built up logo.(CFP-L-WM0650-WM/B)  
 Steel mounting plate with individual built-up internally illuminated letters.Mounting plate to be 3mm Mild Steel fixed to building substrate with brass locator fixings.

3D built-up letters to have aluminium sides, 50mm deep with 5mm Co-op BLUE acrylic faces. All visible edges, aluminium returns & mounting plate to be finished Silver RAL 9006 60% gloss. Internally illuminated by white LEDs.

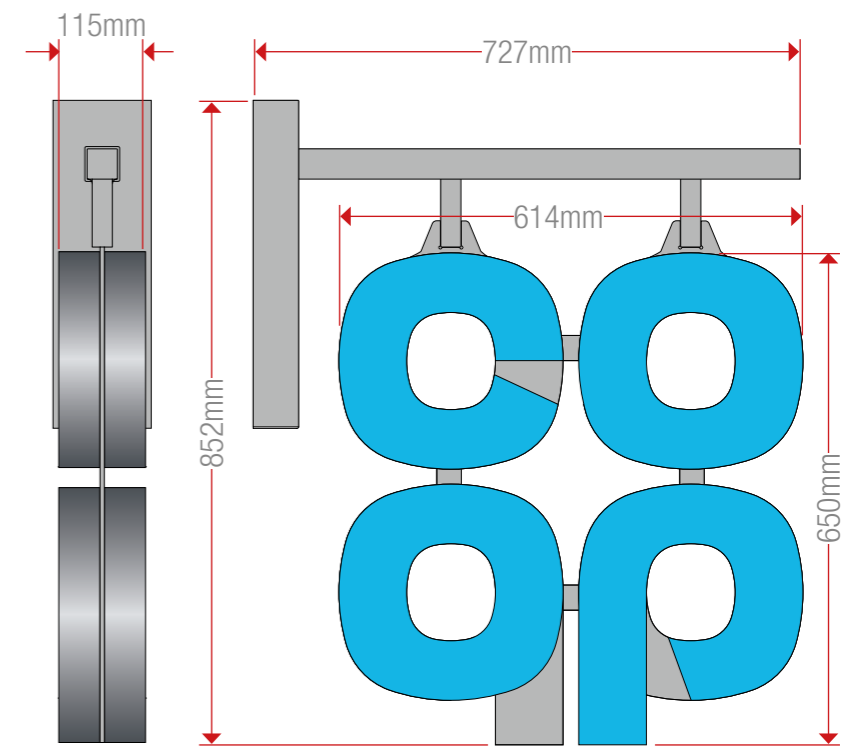
Letters (A3)  
 "Welcome to Anytown Co-op" 190mm to match 500mm/650mm logo to be from 5mm WHITE Perspex 660 Acrylic on locator snap fixings.(CFP-WL0650-A/W)



Logo Cross Section  
 Scale 1:10 @A3



Sign A  
 - 650mm  
 Scale 1:10



Size 2 - 650mm  
 Scale 1:10

Sign B Specifications:

Projection sign size 2 (650mm) Internally Illuminated built up letters on both sides. Individual 3D letters constructed from silver aluminium side returns and Co-op BLUE acrylic faces - faces only to illuminate.

Fully welded 5mm Mild Steel wall mounting plate and support frame. Profile cut logo mounting plate from 5mm Mild Steel, welded to the hanging tubes. All visible steel work to be finished silver to match RAL 9006 60% gloss. (CFP-P-FF0650/B).

Areas highlighted in red are for production/client only



Collections

Store Name: London, 275 Grays Inn Road  
 Store No: 4290  
 Futurama W.O: 12759

Telephone: 0113 270 5595  
 Facsimile: 0113 277 1143  
 E-mail: postbox@futurama.ltd.uk

Olympia House  
 Lockwood Court  
 Middleton Grove  
 Leeds  
 LS11 5TY  
 United Kingdom

delivering  
 branded  
 environments™





Areas highlighted in red are for production/client only



Collections

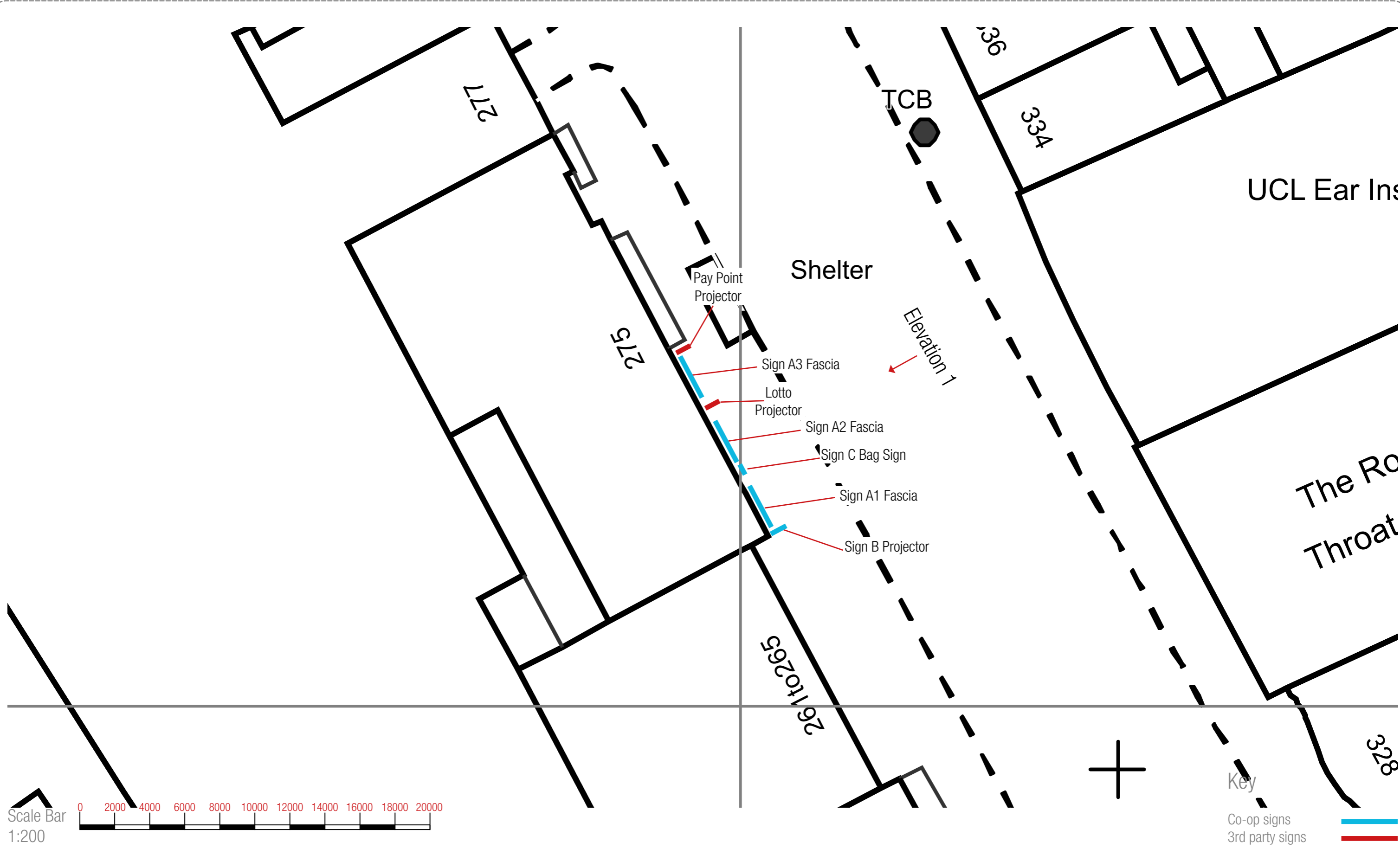
Store Name: London, 275 Grays Inn Road  
 Store No: 4290  
 Futurama W.O: 12759

Telephone: 0113 270 5595  
 Facsimile: 0113 277 1143  
 E-mail: [postbox@futurama.ltd.uk](mailto:postbox@futurama.ltd.uk)

Olympia House  
 Lockwood Court  
 Middleton Grove  
 Leeds  
 LS11 5TY  
 United Kingdom

delivering  
 branded  
 environments™

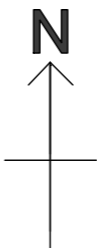




Proposed Site Plan  
Scale: 1:200@A3

\* 3rd party signs to remain in current locations

Store Name: London, 275 Grays Inn Road  
Store No: 4290  
Futurama W.O: 12759



Telephone: 0113 270 5595  
Facsimile: 0113 277 1143  
E-mail: postbox@futurama.ltd.uk

Olympia House  
Lockwood Court  
Middleton Grove  
Leeds  
LS11 5TY  
United Kingdom

delivering  
branded  
environments™

