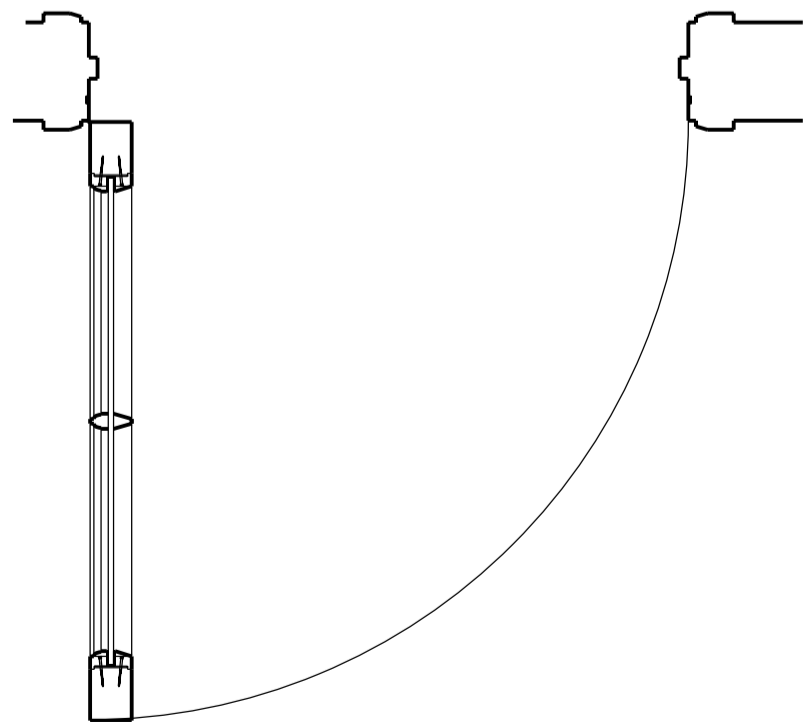


ELEVATION

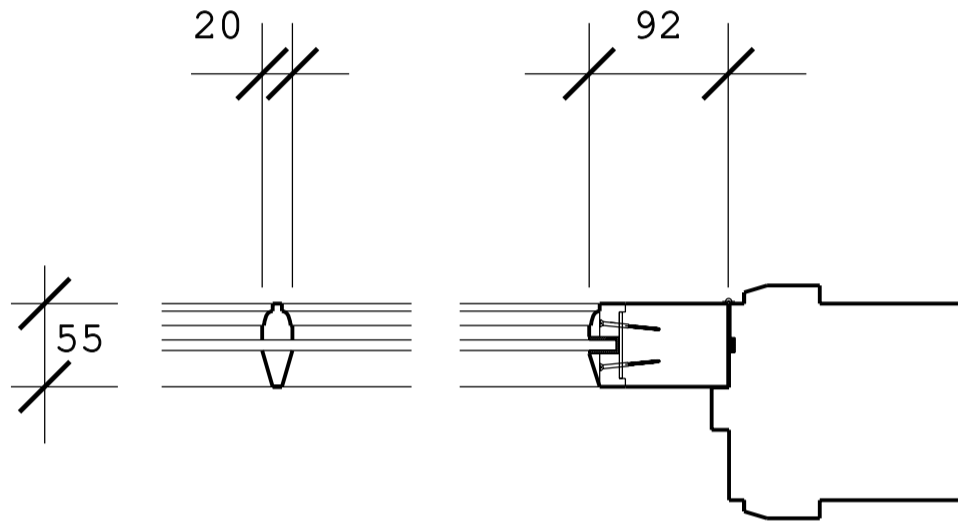


PART PLAN

scale 1 ; 10

REV	DATE	NOTES	INIT.
PROJECT			
8C CALTHORPE STREET LONDON			
DRAWING TITLE			
SITTING ROOM DOOR DETAIL			
STATUS			
PLANNING			
DATE	DRAWN	CHECK	SCALE @ A3
20.07.2011	HW	XX	1:20
PROJECT NUMBER	UNIT /BLOCK	CI/SFB CODE	TYPE & NUMBER
			REVISION LETTER
DRAWING NO.			
0.....			A 1004 -

CHRIS DYSON ARCHITECTS
 11 PRINCELET STREET 7 PIERREPONT STREET
 SPITALFIELDS LONDON E1 6QH BATH BA1 1LB
 T: 020 7247 1816 F: 020 7377 6082 W: www.chrisdyson.co.uk



JAMB DETAIL

scale 1 ; 5