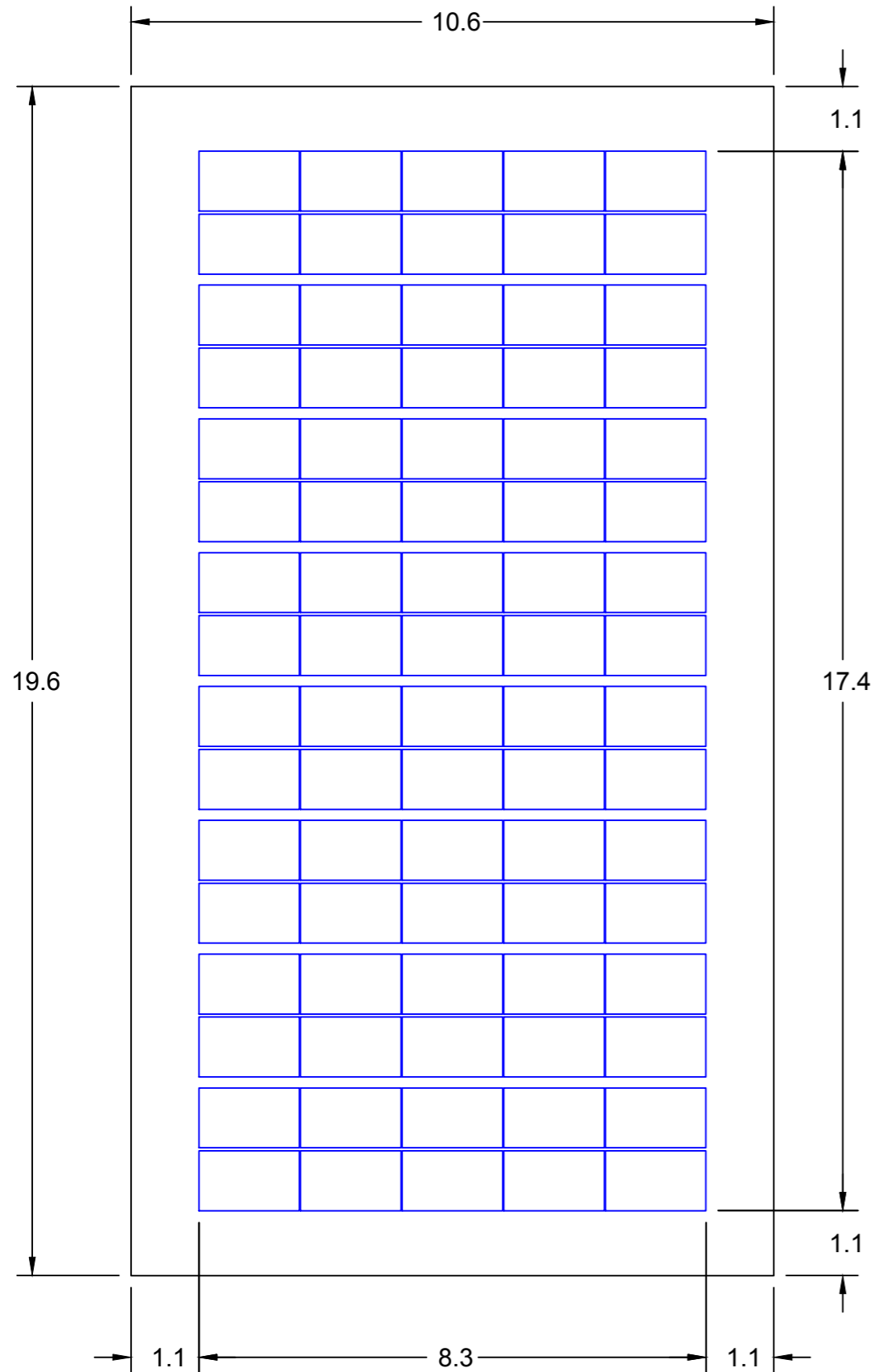
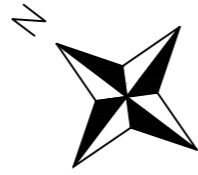
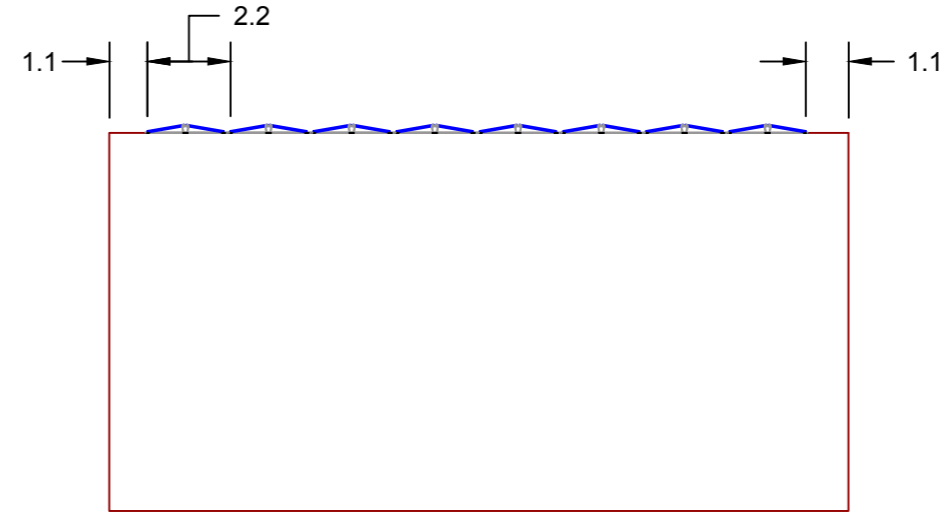


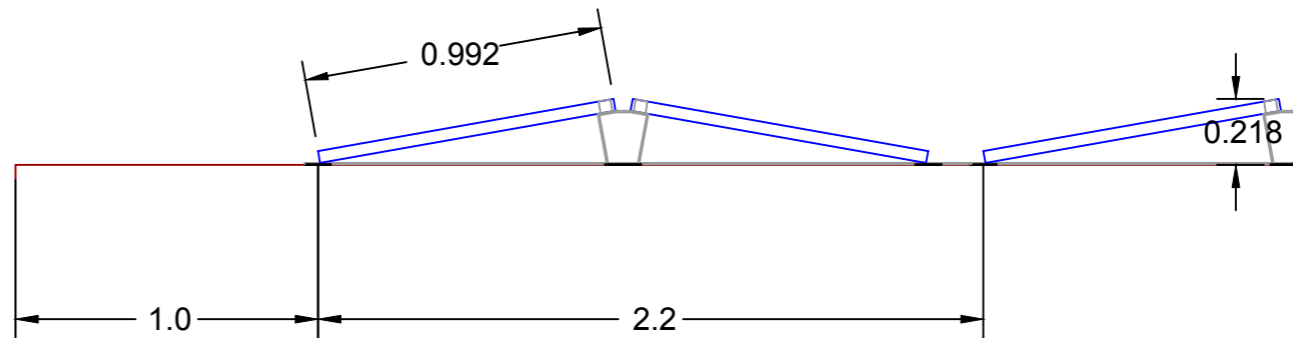
ROOF PLAN
SCALE - 1:100



SECTION
SCALE - 1:200



SECTION
SCALE - 1:25



| System Summary | |
|-------------------|------|
| TOTAL | |
| Module Power (W) | 260 |
| Number of Modules | 80 |
| System Size (kWp) | 20.8 |

Notes:

1. THE COPYRIGHT OF THIS DRAWING IS VESTED IN LHW PARTNERSHIP LLP AND IT MAY NOT BE REPRODUCED IN WHOLE OR PART OR USED FOR THE MANUFACTURE OF ANY ARTICLE WITHOUT THE EXPRESS PERMISSION OF THE COPYRIGHT HOLDERS.
2. WORK TO FIGURED DIMENSIONS ONLY.
3. THIS DRAWING IS TO BE READ IN CONJUNCTION WITH ALL RELEVANT ARCHITECT'S, SERVICE ENGINEER'S AND LHWPARTNERSHIP LLP DRAWINGS AND SPECIFICATIONS.

| | | | |
|---|---|---|----------|
| 0 | - | - | XX/XX/XX |
|---|---|---|----------|

| | | | |
|------------------|--------------|-----|-------|
| REV: | DESCRIPTION: | BY: | DATE: |
| STATUS: APPROVAL | | | |

L H W
PARTNERSHIP
LHW Partnership LLP
Luminous House, 300 South Row, Milton Keynes, MK9 2FR
T: 01908 933 750 | E: enquiries@lhwpartnership.co.uk | W: www.lhw.co.uk

| | |
|------------|--|
| CLIENT: | LONDON BOROUGH OF CAMDEN OLD TOWN HALL, JUDD STREET LONDON WC1H 9JE |
| ARCHITECT: | - - - |

| | | | |
|--------------|--|-----------|----------|
| SITE: | BROOKFIELD PRIMARY SCHOOL CHESTER RD, LONDON, N19 5DH | | |
| TITLE: | ROOF PLAN - ROOF 1 ROOF PLAN / SECTION | | |
| SCALE AT A3: | DATE: | DRAWN: | CHECKED: |
| VAR | 27/05/16 | LJ | JPH |
| PROJECT NO: | DRAWING NO: | REVISION: | |
| PR1386 | A3/PR1386 | 0 | |