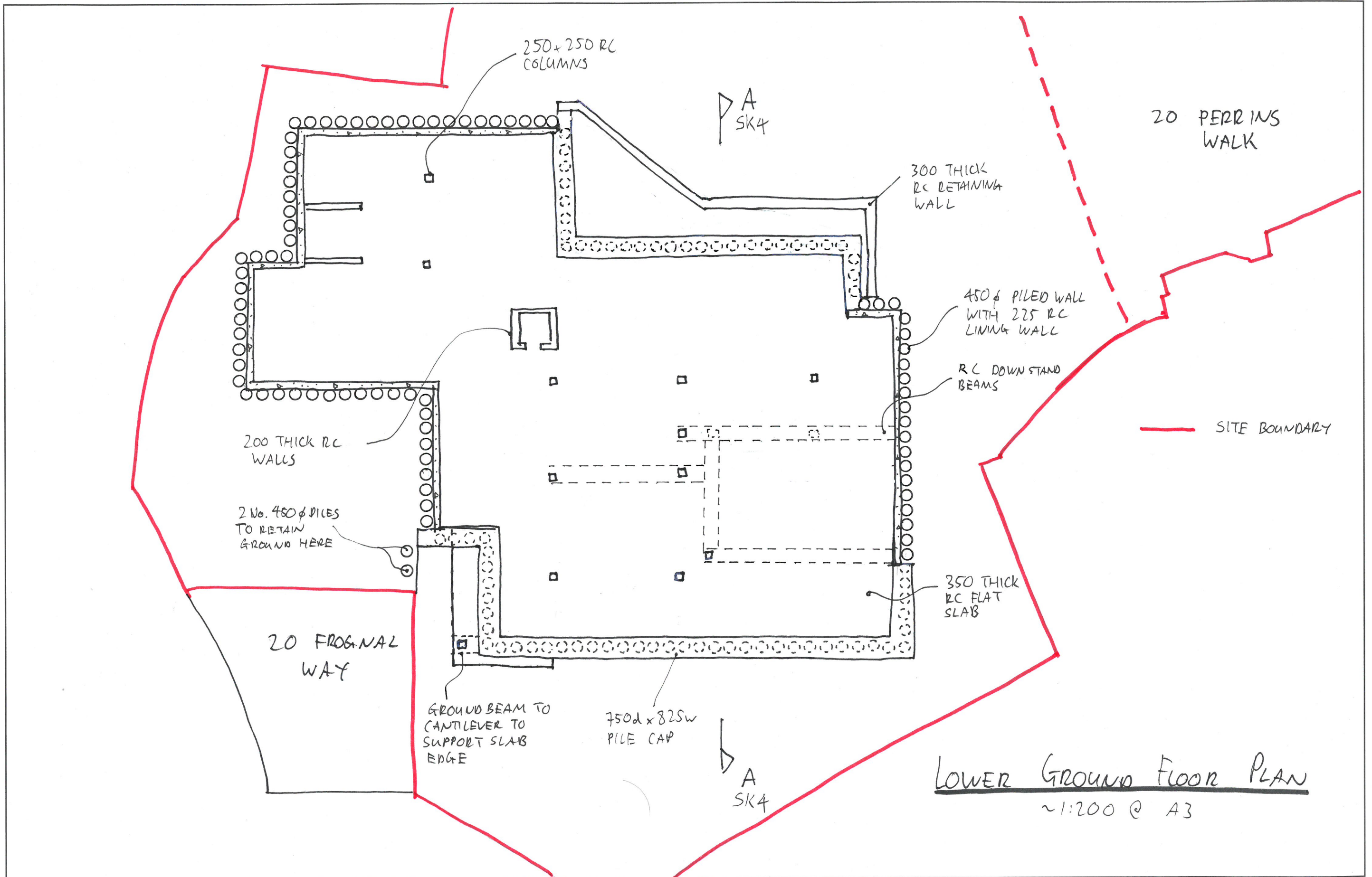
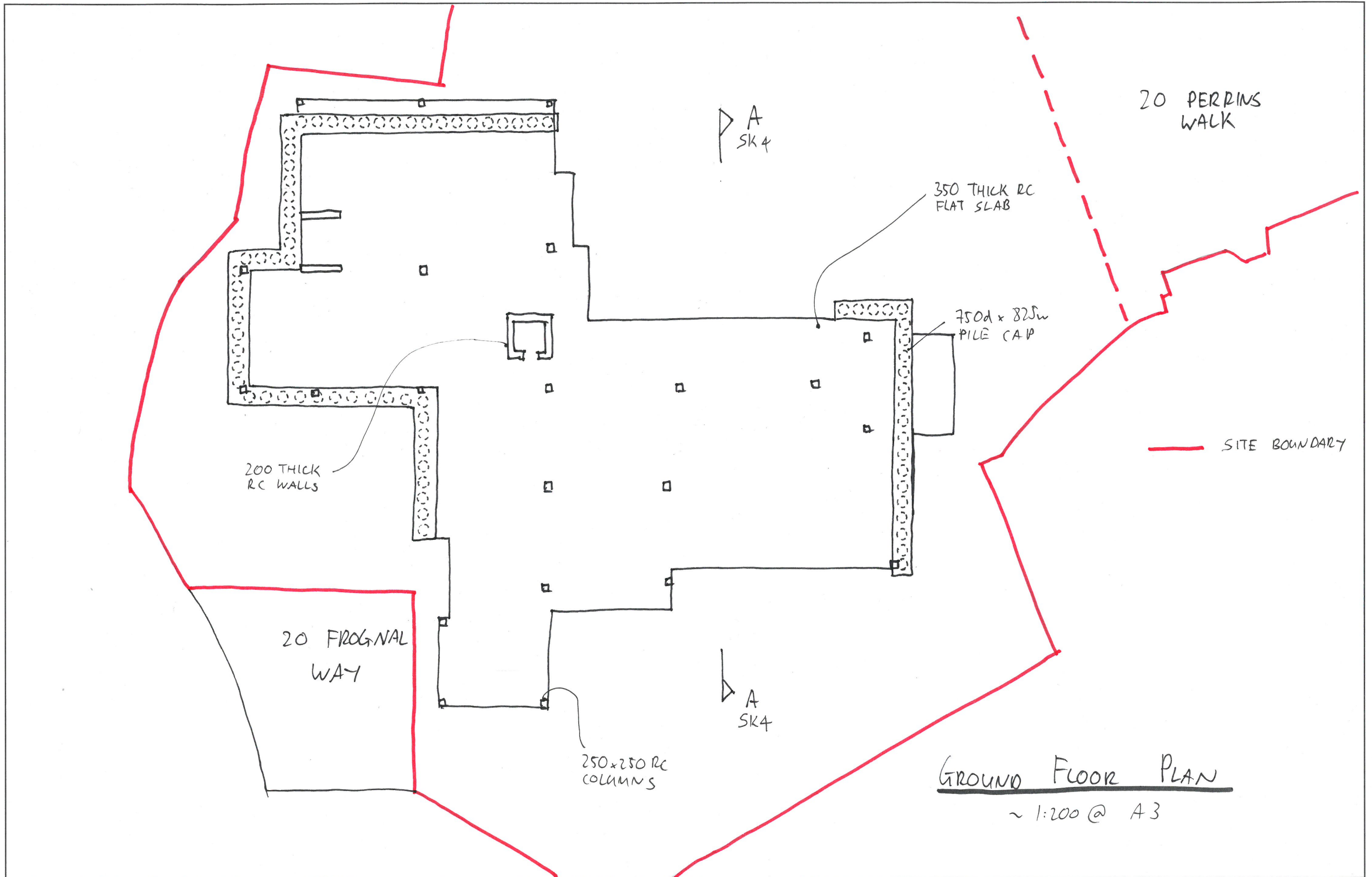
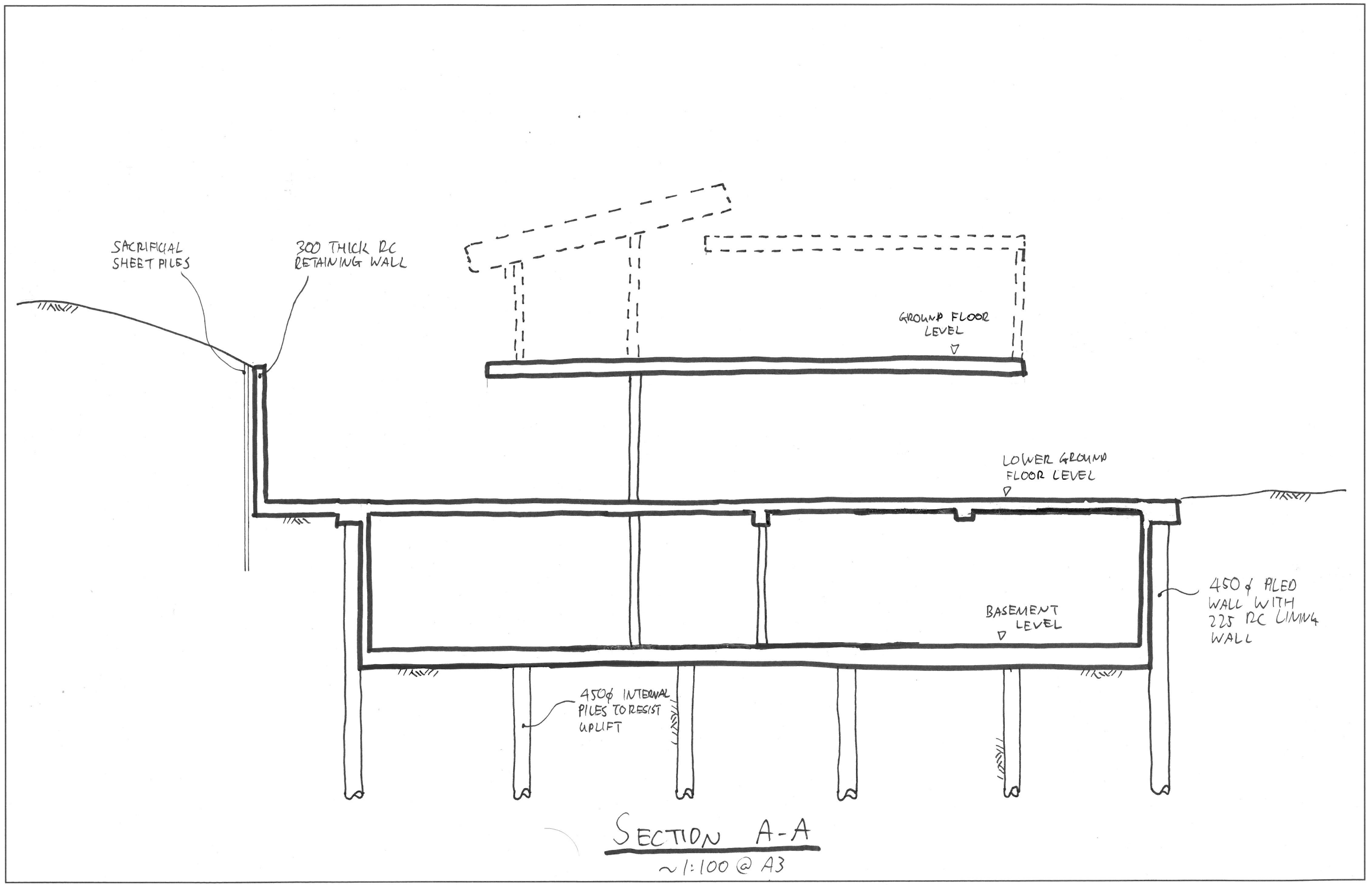


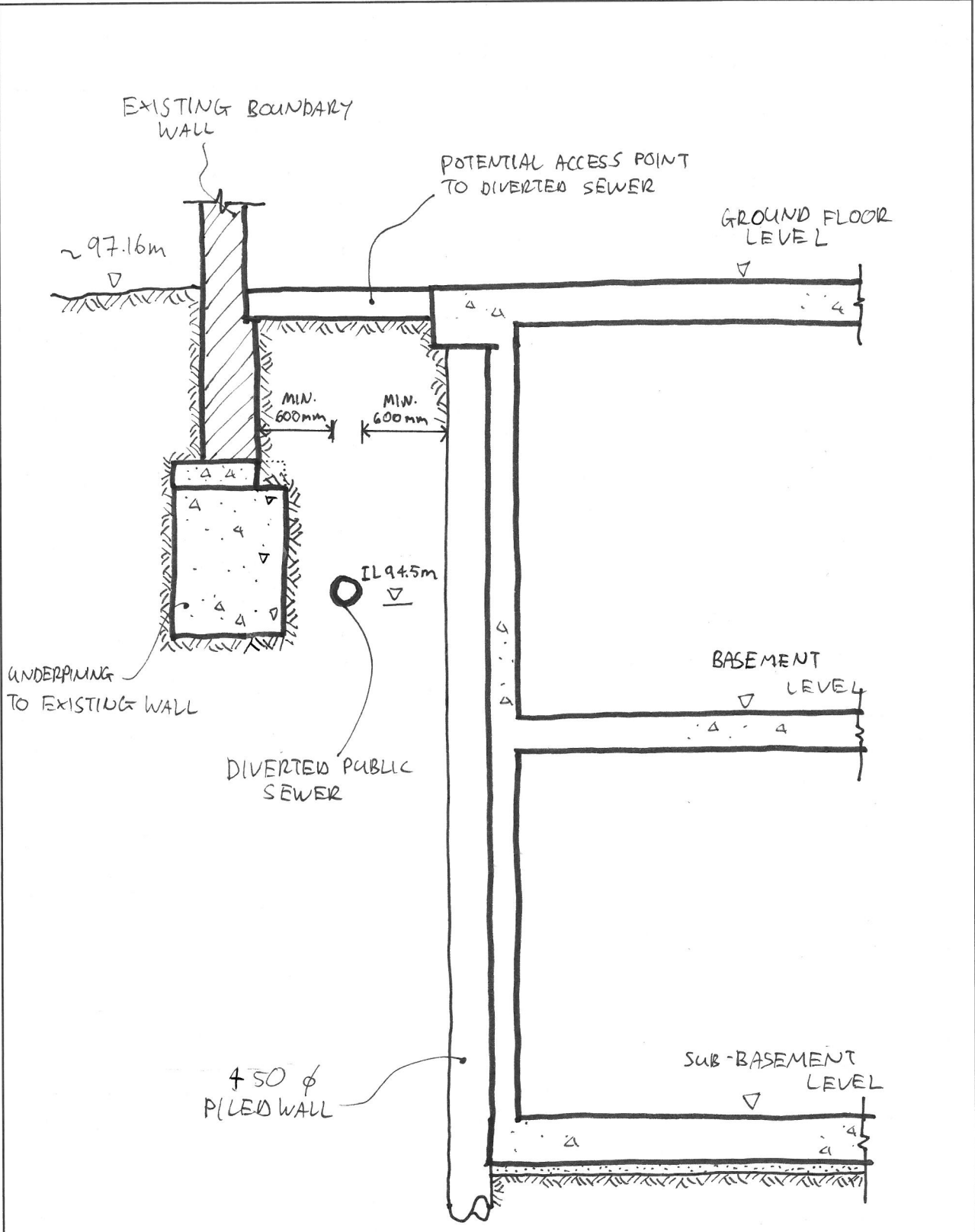
BASEMENT PLAN
~ 1:200 @ A3



LOWER GROUND FLOOR PLAN
~1:200 @ A3







TYPICAL SECTION AT SEWER DIVERSION

~ 1:50 @ A4