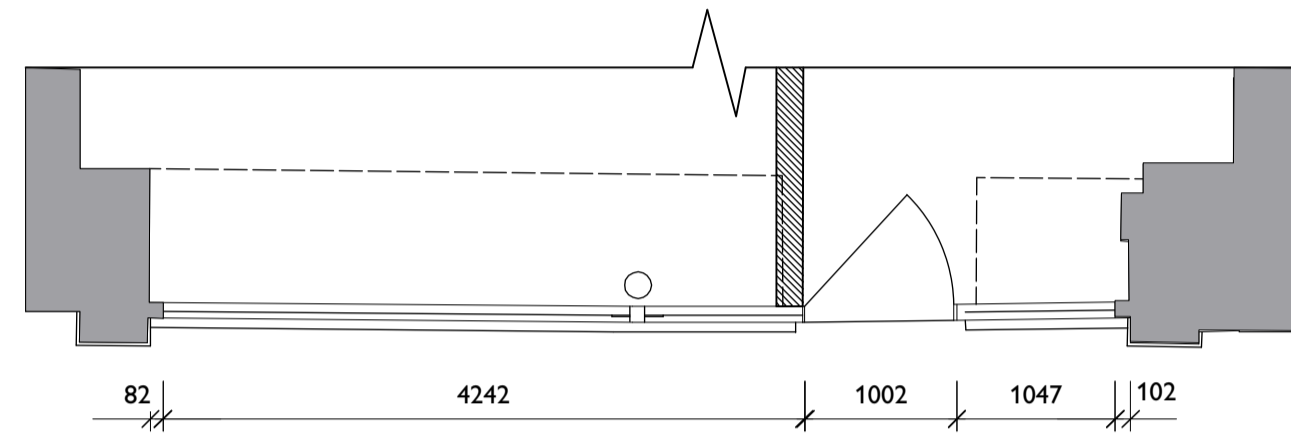


IMPORTANT NOTES

- SITE DIMENSIONS TO CONFIRM ALL MEASUREMENTS



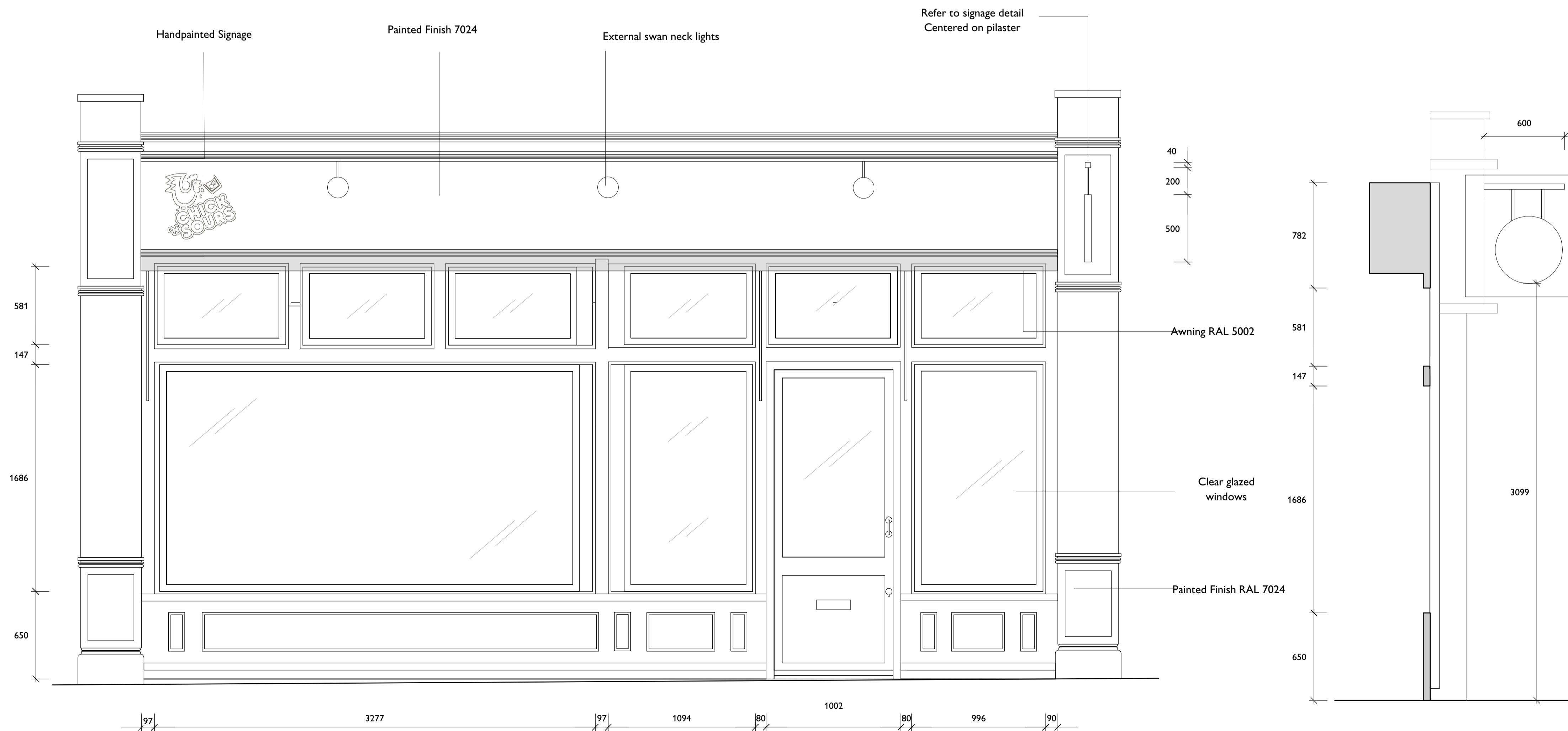
P1 PROPOSED SHOP FRONT SECTION
1:50



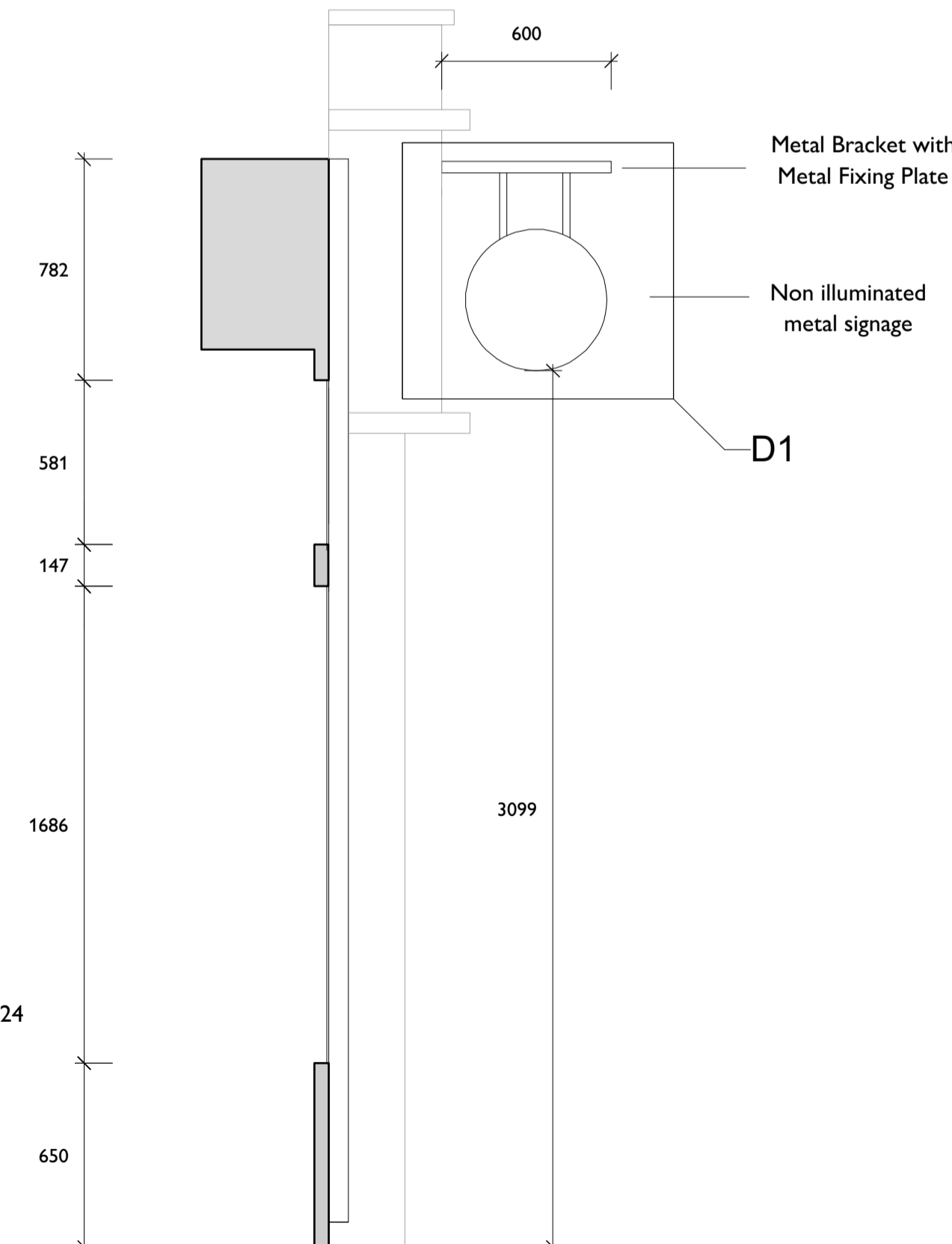
D1 PROPOSED SIGNAGE DETAIL
1:5



IM SHOP FRONT VISUAL



E1 PROPOSED SHOP FRONT ELEVATION
1:20



S1 PROPOSED SHOP FRONT SECTION
1:20



THE MINT LIST
UNIT 14, THE TAY BUILDING
2A WRENTHAM AVENUE
LONDON NW10 3HA
Tel: +44 (0)208 616 9192
Web: www.themintlist.com
Email: info@themintlist.com

CLIENT:
CHICK N' SOURS

PROJECT:
NO.1 EARLHAM STREET
LONDON
WC2H 9LL

TITLE:
PROPOSED SHOP FRONT

JOB REF: CSE DATE: 20/06/2016

SCALE: Various DWG No: CSE.2.0.00 REV: A

SHEET SIZE: A1 DRAWN BY: JN