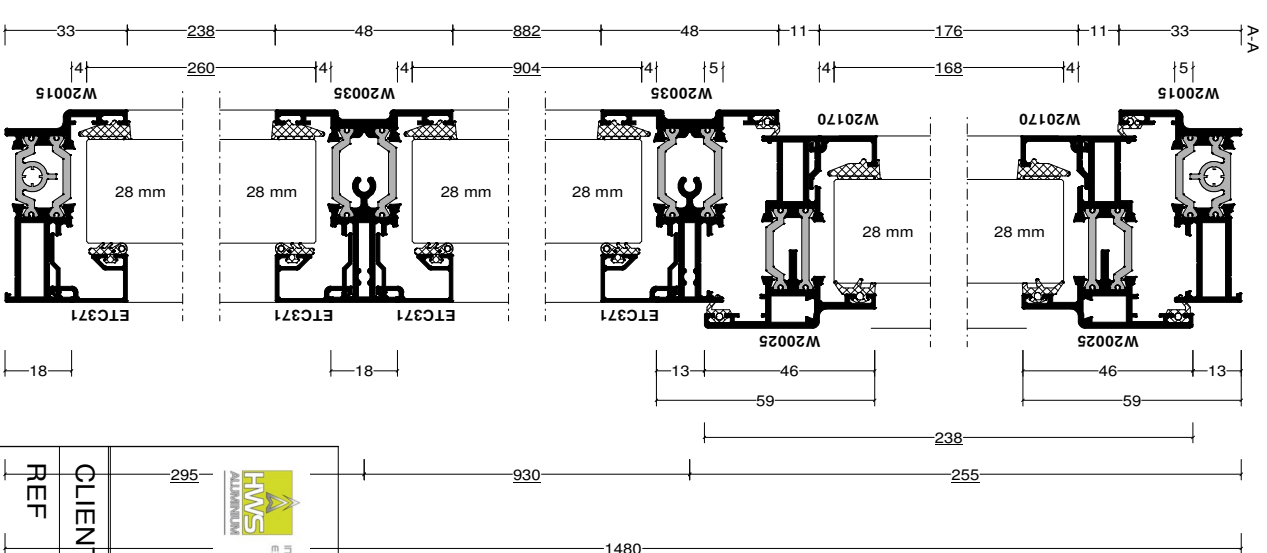
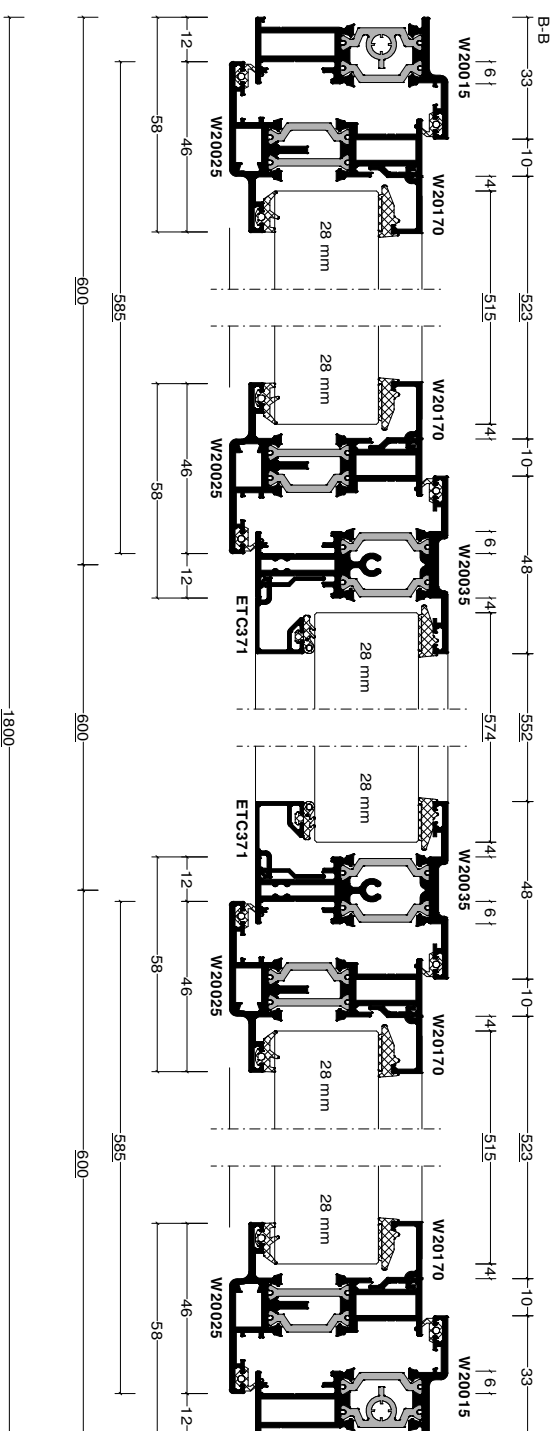
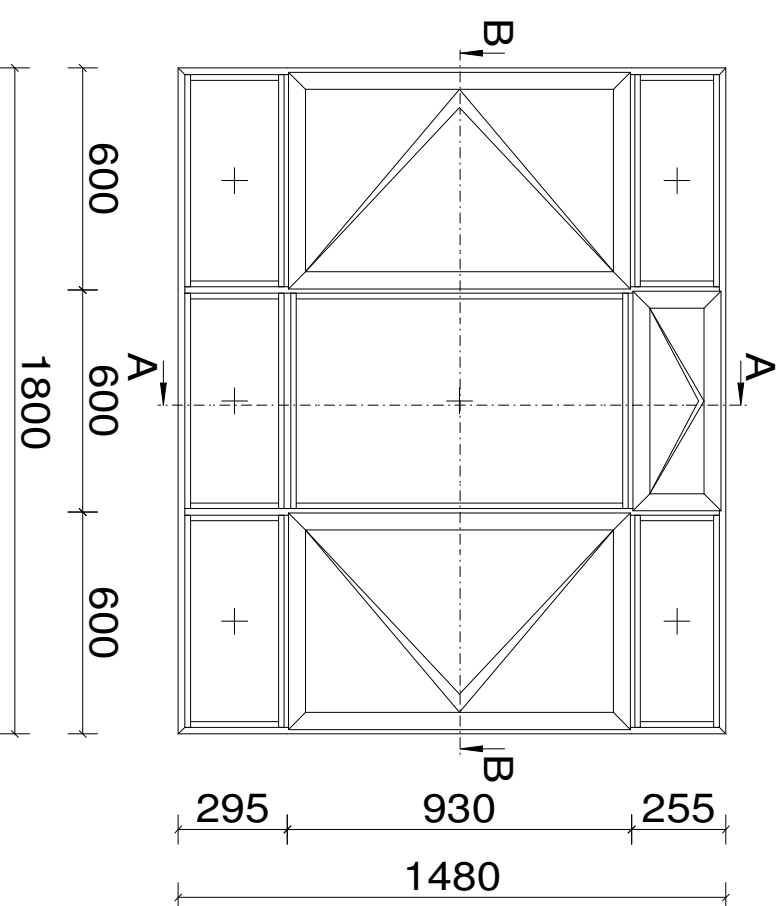



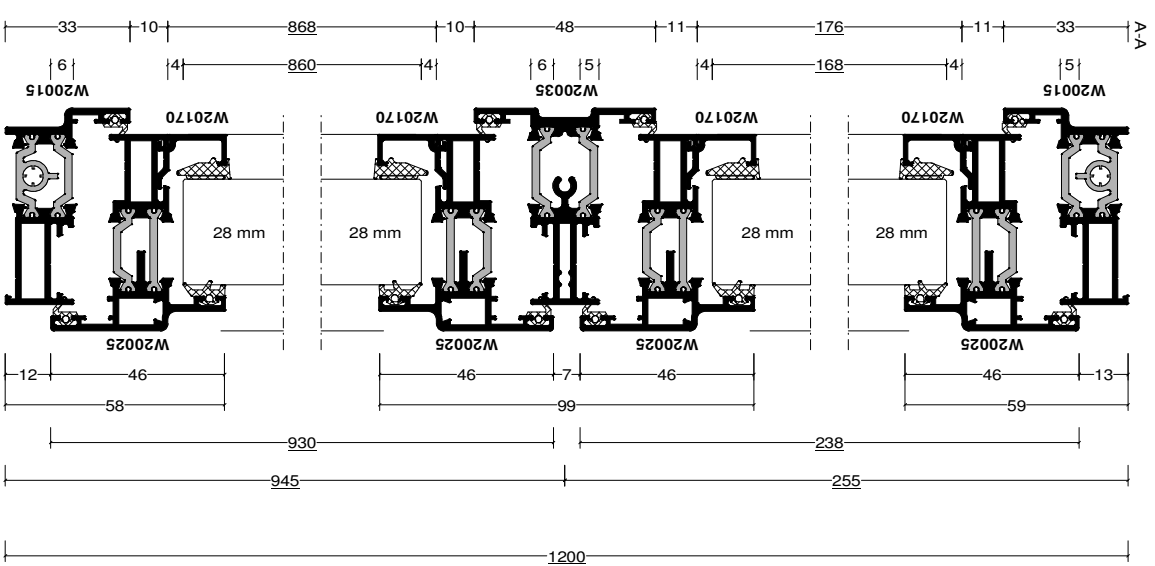
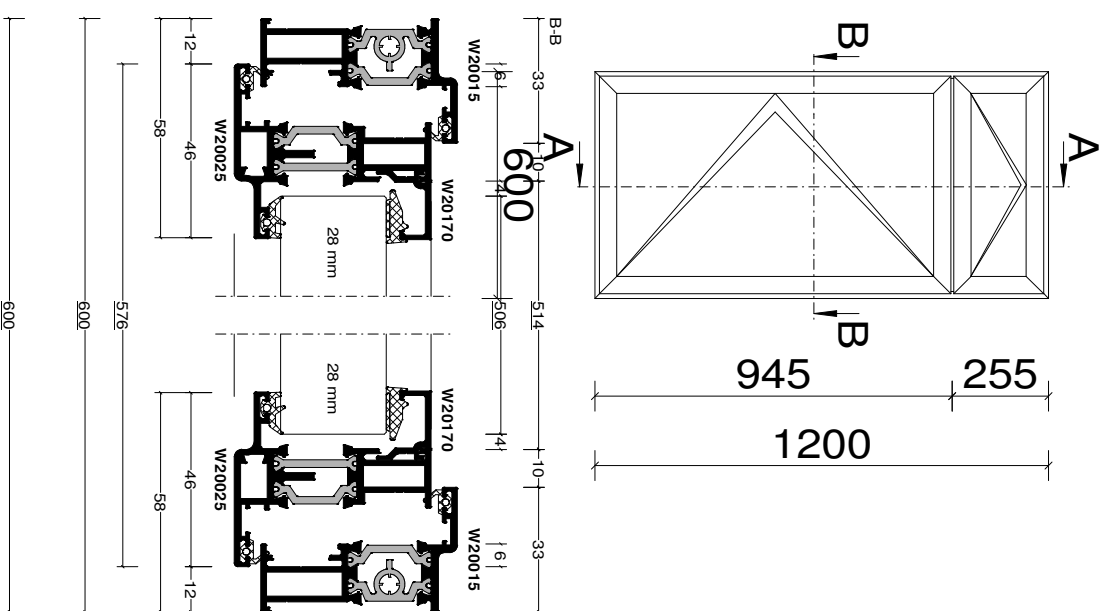
Pos. Window Type A, Quantity: 1
 Type 1
 Job: Laystall Court Mount Pleasant
 System: SMA Alltherm Heritage 47 Square
 Exterior View



- 1x Espag Rod 750mm
- 6x 13mm Cavity Hinge Protector
- 2x 12" SH. Restricted Hinge
- 1x Espag Handle Right SA
- 1x Espag Rod 500mm
- 2x Espag Handle Left SA
- 1x Espag Rod 750mm

		Newbank Court Sandiheran Industrial Estate, Fordingbridge SP6 1PA Tel : 01452 652026 Fax : 01452 654133 e-mail : sales@hwsaluminium.co.uk www.hwsaluminium.co.uk
CLIENT	Pellings	
REF	Laystall Court Mount Pleasant	
DATE	29.07.2016	
DRAWN	Chris White	
AMENDMENTS		
Scale 1:20		
DRG No		REV

Pos. Window Type D, Quantity: 1
 Type 3
 Job: Laystall Court Mount Pleasant
 System: SMA Alitherm Heritage 47 Square
 Exterior View



- 1x Espag Rod 500mm
- 1x Espag Handle Left SA
- 2x 13mm Cavity/Hinge Protector
- 1x Espag Rod 750mm
- 1x 12" SH. Standard Hinge
- 1x Espag Handle Right White

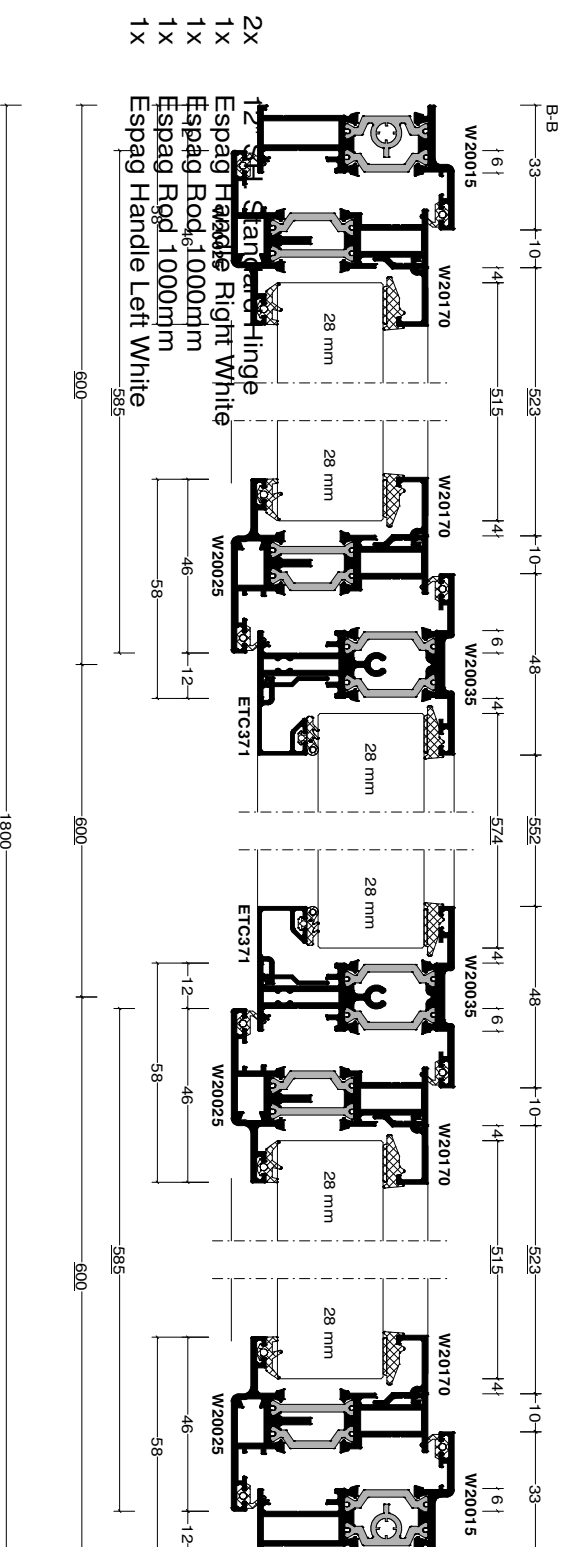
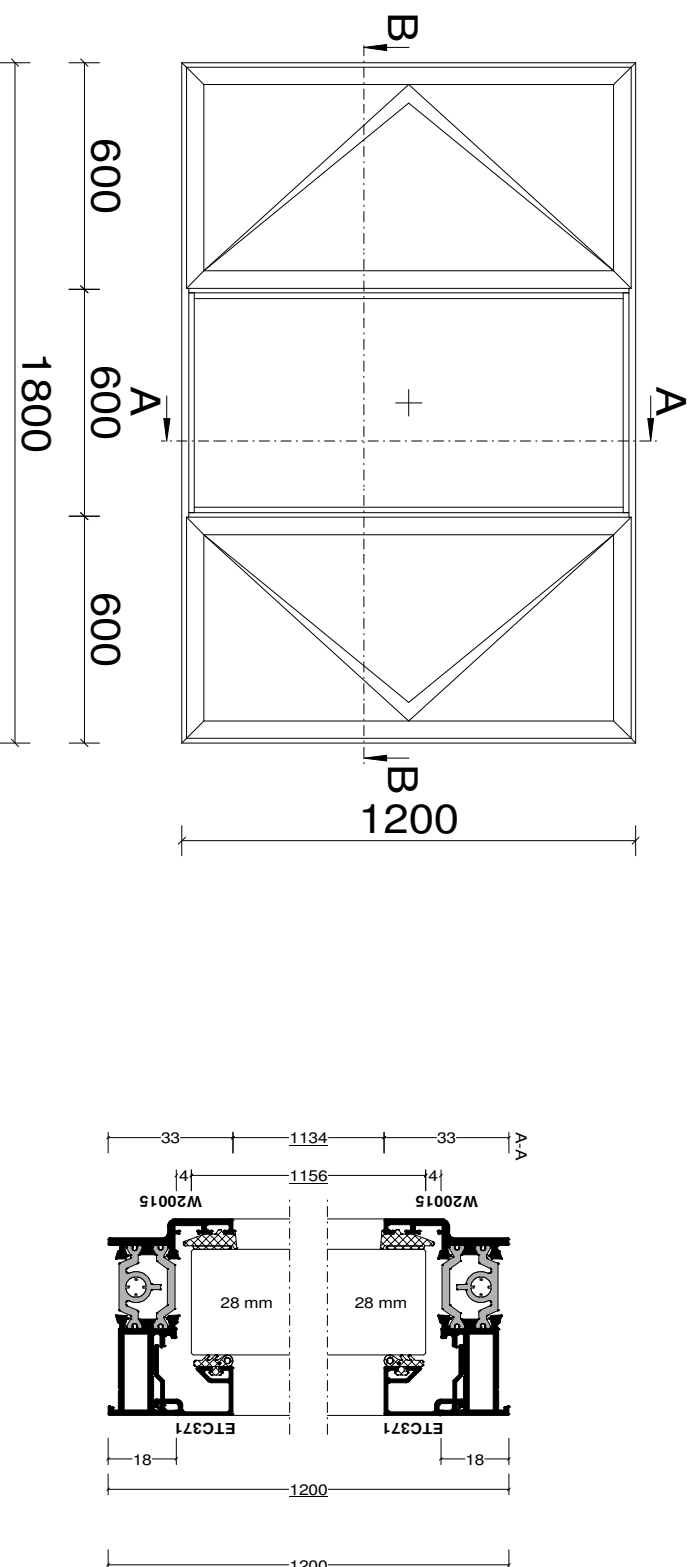
HWS
 FESTIVAL
 EXCELLENCE
 ALUMINIUM

Newbank Court
 Sandiheran Industrial Estate,
 Fordingbridge
 SP6 1PA
 Tel : 01452 652026
 Fax : 01452 654133
 e.mail : sales@hwsaluminium.co.uk
 www.hwsaluminium.co.uk

CLIENT	Pellings
REF	Laystall Court Mount Pleasant
DATE	29.07.2016
DRAWN	Chris White
AMENDMENTS	

DRG No		REV	
--------	--	-----	--

Pos. Window Type F, Quantity: 1
 Type 4
 Job: Laystall Court Mount Pleasant
 System: SMA Alltherm Heritage 47 Square
 Exterior View



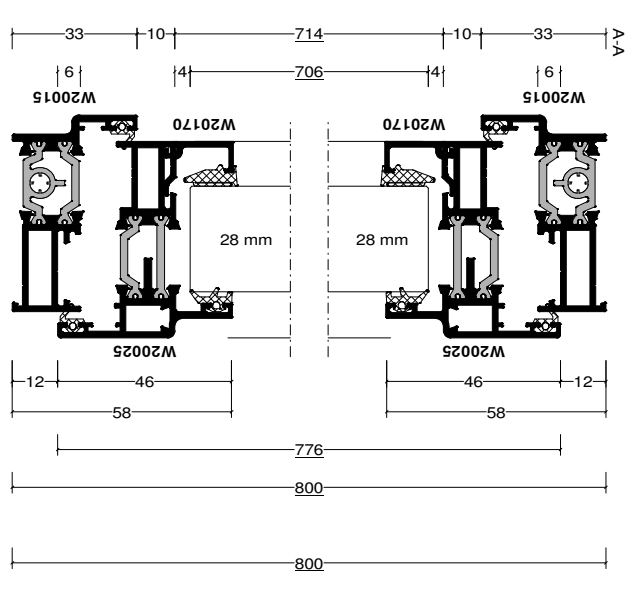
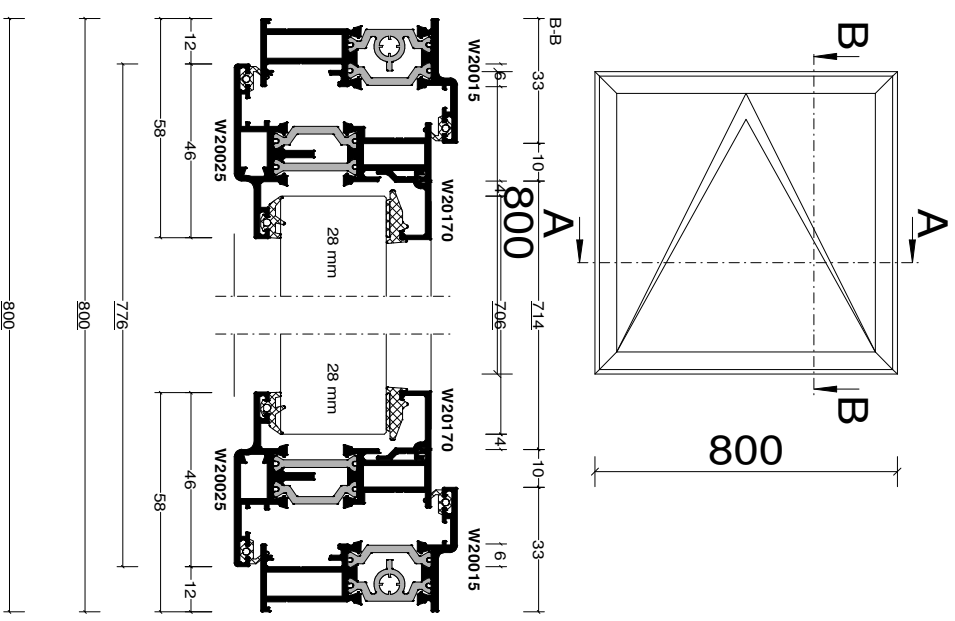
HWS WINDOORS & WALLS
 FESTIVAL EXCELLENCE
 ALUMINIUM

Newbank Court
 Sandiherain Industrial Estate,
 Fordingbridge
 SP6 1PA
 Tel : 01452 652026
 Fax : 01452 654133
 e.mail : sales@hwsaluminium.co.uk
 www.hwsaluminium.co.uk


CLIENT	Pellings
REF	Laystall Court Mount Pleasant
DATE	29.07.2016
DRAWN	Chris White
AMENDMENTS	

DRG No		REV
--------	--	-----

Pos. Window Type E, Quantity: 1
 Type 3
 Job: Laystall Court Mount Pleasant
 System: SMA Alitherm Heritage 47 Square
 Exterior View



- 1x Espag Handle Right White
- 1x Espag Rod 500mm

 <p>Newbank Court Sandiherain Industrial Estate, Fordingsbridge SP6 1PA Tel : 01452 652026 Fax : 01452 654133 e.mail : sales@hwsaluminium.co.uk www.hwsaluminium.co.uk</p>	
CLIENT	Pellings
REF	Laystall Court Mount Pleasant
DATE	29.07.2016
DRAWN	Chris White
AMENDMENTS	
DRG No	REV