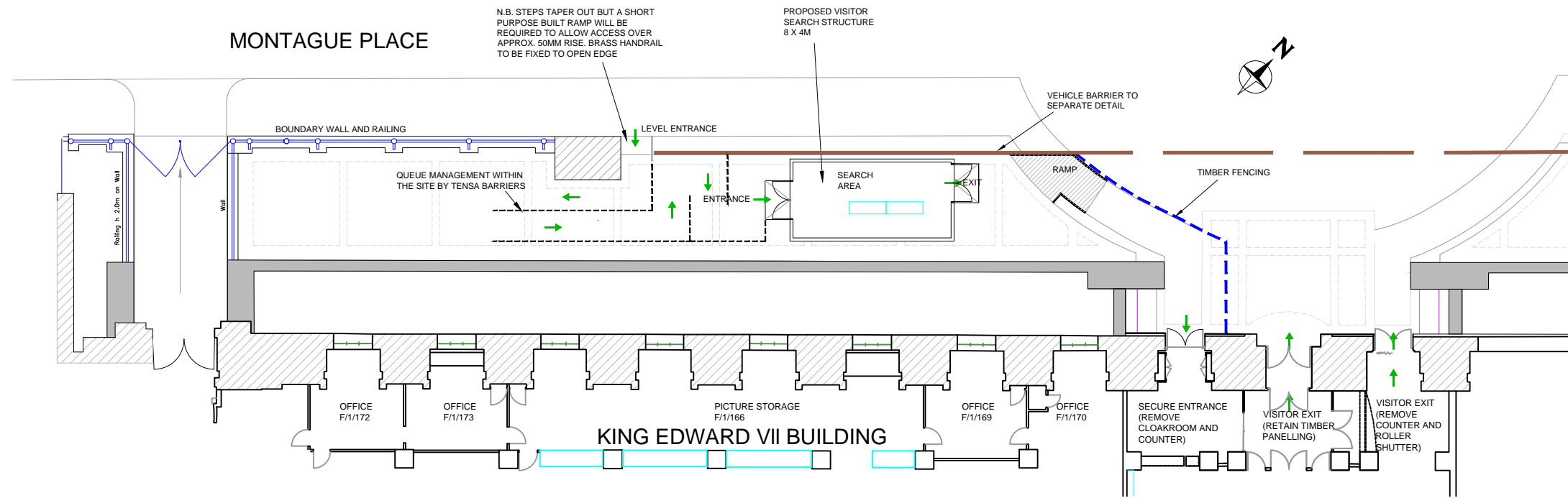
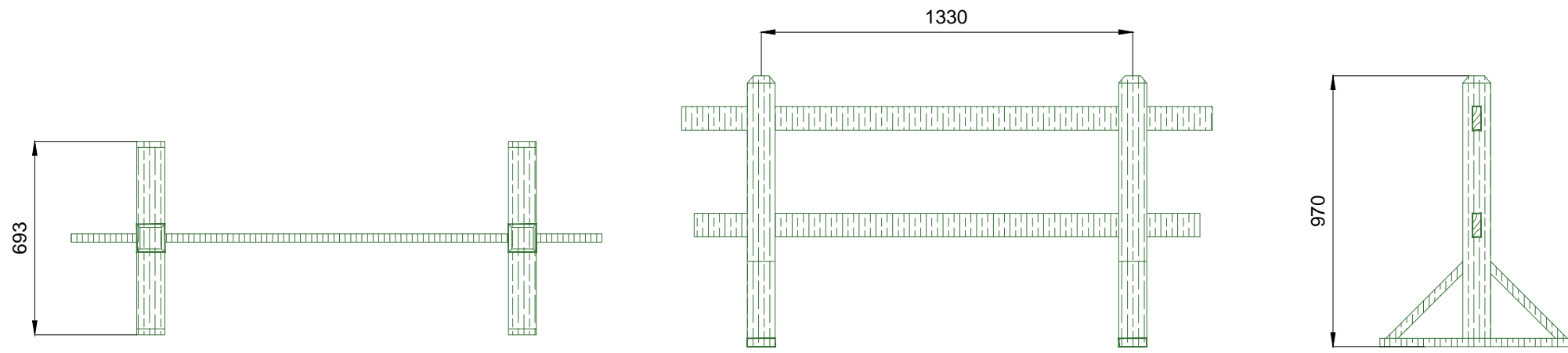


Notes
 No dimensions to be scaled from this drawing. All dimensions to be checked on site. Where discrepancy occurs between specification and drawings the contract administrator must be notified.
 THIS DRAWING IS COPYRIGHT



PLAN: 1:250@A3



PLAN

ELEVATION

SECTION

PROPOSED VISITOR BARRIERS: 1:20@A3

DESIGN NOTES

HARDWOOD CONSTRUCTION; TO BE PAINTED INVISIBLE GREEN

100 X 100MM VERTICAL POSTS
 85 X 30MM RAILS
 100 X 40MM BASE

DESIGN TO BE BASED ON THE HERITAGE FENCE PANELS ON THE SOUTH COLONNADE

CLIENT: SECURITY AND VISITOR SERVICES	PROJECT: SECURITY SEARCH STRUCTURE NORTH ENTRANCE	TITLE: PLAN	SCALE: 1:250@A3	DATE: JULY 2016	DRAWN: SH	DRAWING NR: EW-BG-PP-11	REV: *	REVISIONS: *
--	---	----------------	--------------------	--------------------	--------------	----------------------------	-----------	-----------------