

Elevation A

Scale: 1:50

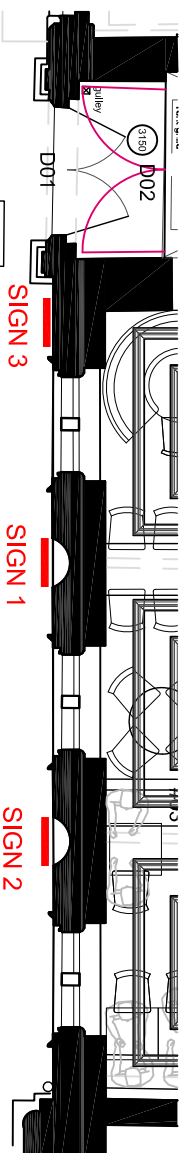
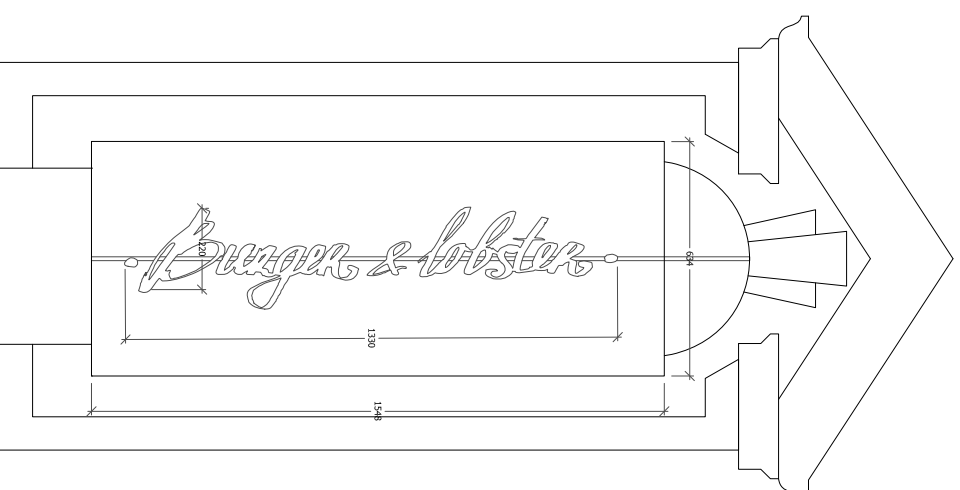
Existing stone lettering to stay

External Menu boards

E1-Exterior signage. Non-illuminated black fret cut steel pin mounted letters to sit within recesses to be fixed top and bottom.

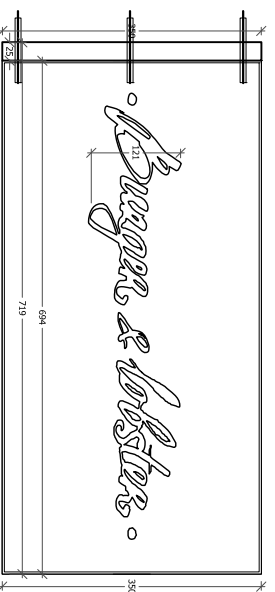
E2-Exterior signage. Non-illuminated black fret cut steel pin mounted letters to sit within recesses to be fixed top and bottom.

E3 - Exterior Signage Non-illuminated black metal projecting sign with black metal bracket



Plan

Scale: 1:50



Outer frame from 3mm blackened steel.
 Inner rolled channel from 1,2mm mist with welded 3mm thk mist lugs for pfsmatic.
 Outer panels from 1,5mm blackened mist/laser cut with pushed thru 8mm 030 acrylic text.
 8mm thk mist lugs welded to top of sign and fitted with sid swing blocks to bracket.
Bracket
 New metal bracket basic size as per drawing. Finished GLOSS black.

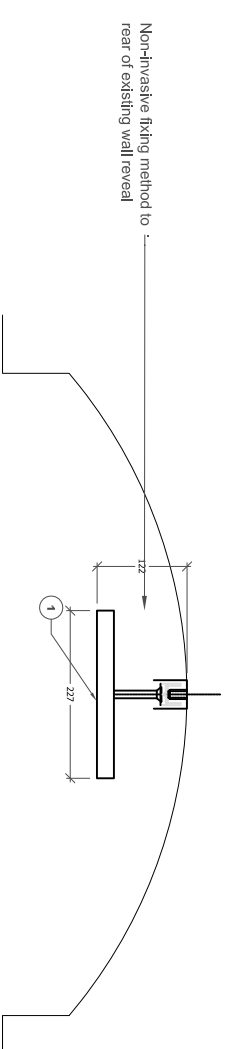


Projecting signage 3 Detail and Plan

Scale: 1:5

Exterior signage 1 & 2 detail

Scale: 1:10



Non-invasive fixing method to rear of existing wall reveal

Exterior signage 1 & 2 Plan

Scale: 1:5

- Rear Illuminated high level sign
1. Black Steel Pin Mounted Letters

GENERAL NOTES

1. ALL FINISHES ARE TO CONFORM TO THE REQUIRED CURRENT BUILDING REGULATIONS TO BE CLASS 1 OR EQUIVALENT.
2. CONTRACTOR MUST VERIFY ALL SITE DIMENSIONS, DRAWINGS, DETAILS AND SPECIFICATIONS AND REPORT ANY DISCREPANCIES TO DESIGN LSN LTD BEFORE PROCEEDING WITH ANY WORK.
3. ALL REQUESTED DRAWINGS SHOWING FIXINGS AND CONSTRUCTION DETAILS ARE REQUIRED TO BE APPROVED BY DESIGN LSN LTD. PRIOR TO COMMENCEMENT OF WORK.
4. ALL SPECIFIED ITEMS ARE TO BE INSTALLED IN ACCORDANCE WITH THE MANUFACTURERS RECOMMENDATIONS.
5. CONTRACTOR TO PROVIDE A WORKING ENVIRONMENT WHICH CONFORMS TO THE CURRENT HEALTH AND SAFETY AT WORK CONDITIONS AND LOCAL AUTHORITY REGULATIONS.
6. ALL FINISHES ARE TO BE CARRIED OUT TO A HIGH STANDARD.
7. ANY DIMENSIONS ARE TO BE TAKEN FROM THE SETTING OUT PLAN ONLY AND ARE NOT TO BE SCALED FROM THE DRAWINGS.
8. IT IS THE CONTRACTORS RESPONSIBILITY TO UNDER TAKE AND ENSURE THAT ANY BUILDING IS CARRIED OUT UNDER THE LOCAL AUTHORITY REQUIREMENTS.
9. THE CONTRACTOR IS TO CHECK AND APPRAISE ALL DESIGN SHOP FITTING AND CONSTRUCTION DETAILS AND OFFER ALTERNATIVES TO THE DESIGNER FOR APPROVAL.
10. IN THE EVENT THAT DRAWING INTERPRETATION IS NOT THE SAME AND IF THE DESIGNER AND/OR SUPERVISING OFFICER ARE UNAVAILABLE FOR COMMENT THE PROPOSED PLAN IS TO BE READ AS CORRECT.
11. THIS DRAWING IS TO BE READ IN CONJUNCTION WITH THE OTHER RELEVANT CONSULTANTS DRAWINGS.
12. COPYRIGHT OF DESIGN LSN LIMITED. NOT TO BE REPRODUCED.

Designers Bestial Risk assessment

REVISION	DATE	ITEM
E	25.07.16	Signage updated for new application.
D	18.04.16	Issued to Local Authority
C	09.03.16	Exterior signage amended
B	09.03.16	Exterior signage amended
A	05.02.16	Issued for Tender

- INFORMATION ONLY
- APPLICATION FOR LOCAL AUTHORITY
- TENDER
- CONSTRUCTION
- AS BUILT

PROJECT Burger & Lobster Holborn
 193-197 High Holborn,
 London WC1V 7BD

TITLE Proposed Elevation

DRAWN	DATE	SCALE	CHECKED
RA	JAN 16	VARIOUS	AH
PROJECT NUMBER	DATE	REVISION	
L14 3539	09-02	E	

DESIGNLSM

Branding
 Architecture
 Interior design

t +44 (0)1273 820 033
 e hello@designism.com
 w www.designism.com